

120mm

San Ace B120

32mm thick (9BF type), 32mm thick (9BFB type)



General Specifications

- Material: Frame: Plastics (Flammability: UL94V-0), Impeller: Plastics (Flammability: UL94V-1)
- Expected Life: Refer to specifications (L10:Survival rate: 90% at 60°C, rated voltage, and continuously run in a free air state)
- Lead Wire: ⊕red ⊖black or blue (Sensor) yellow
- Storage Temperature: -30°C to +70°C (Non-condensing)

120mm × 32mm (Mass : 270g) **9BF type**

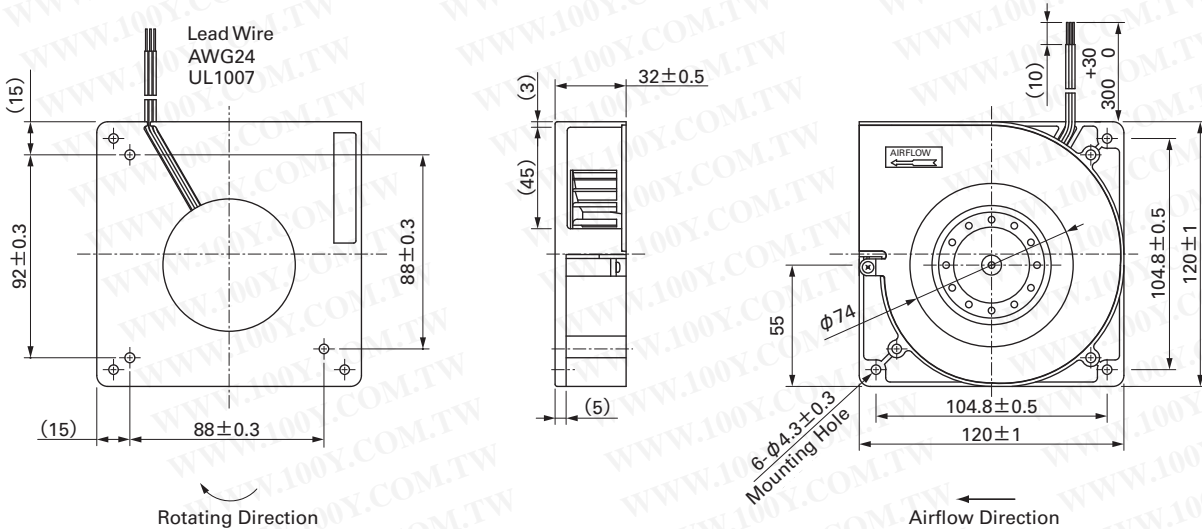
Specifications

The following nos. have pulse sensors.

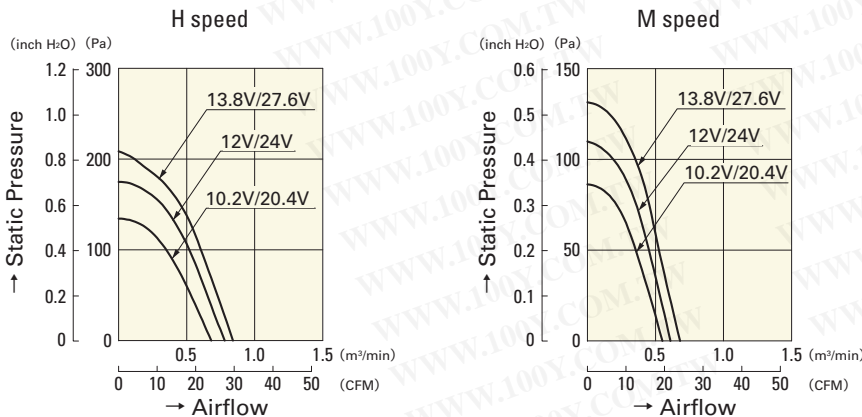
Model No.	Rated Voltage [V]	Operating Voltage Range [V]	Rated Current [A]	Rated Input [W]	Rated Speed [min ⁻¹]	Max. Airflow [m ³ /min] [CFM]	Max. Static Pressure [Pa] [inchH ₂ O]	SPL [dB(A)]	Operating Temperature [°C]	Expected Life [h]
109BF12HC2	12	10.2 to 13.8	0.6	7.2	2,400	0.78 27.5	175.4 0.704	52	- 20 to + 60	40,000
109BF12MC2			0.32	3.84	1,900	0.61 21.5	109.8 0.441	44		
109BF24HC2	24	20.4 to 27.6	0.3	7.2	2,400	0.78 27.5	175.4 0.704	52		
109BF24MC2			0.16	3.84	1,900	0.61 21.5	109.8 0.441	44		

Some models can also be equipped without sensors as an option. Please refer to the index (pp. 417 to 437).

Dimensions (unit : mm)



Airflow - Static Pressure Characteristics



勝特力材料 886-3-5753170
 勝特力电子(上海) 86-21-34970699
 勝特力电子(深圳) 86-755-83298787
[Http://www.100y.com.tw](http://www.100y.com.tw)

109BF12HC2
109BF24HC2

109BF12MC2
109BF24MC2

DC Blower 97mm/120mm