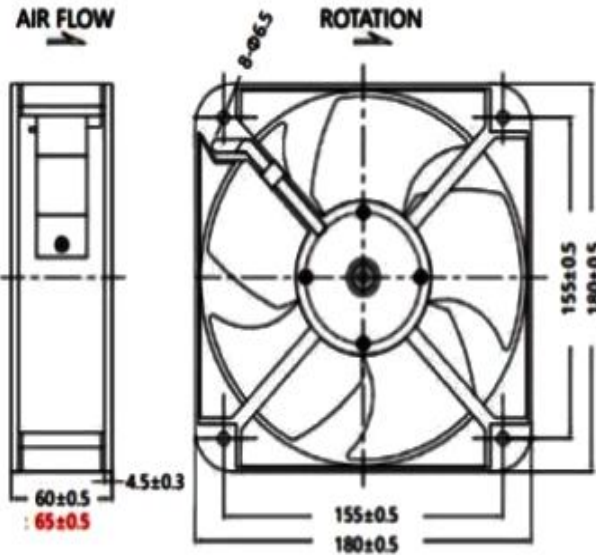


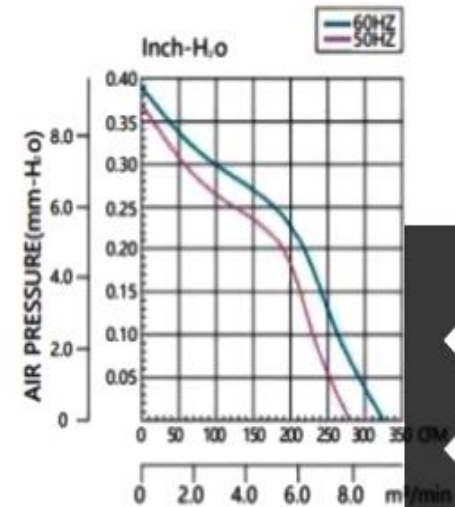
AC SJ18060

180X180X60mm

勝特力電材超市-龍山店 886-3-5773766
 勝特力電材超市-光復店 886-3-5729570
 勝特力電子(上海) 86-21-34970699
 勝特力電子(深圳) 86-755-83298787
<http://www.100y.com.tw>



AIR PERFORMANCE



SPECIFICATION

Model	Part Number	Bearing System	RATED Voltage	Freq.	Current	Input Power	Speed	Air Flow	Air Flow	Static Pressure	Noise Level	Weight
	Terminal / Leadwire		VAC	Hz	AMP	WATT	R.P.M	CFM	M/min	mm-H ₂ O	dB-A	g
SJ18060HA1	SJ18060HA1BAT(L)	Ball	110/120	50/60	0.7	50	2500	300	8.47	0.51	60	950
SJ18060HA2	SJ18060HA2BAT(L)	Ball	220/240	50/60	0.35	50	2500	300	8.47	0.51	60	950
SJ18065HA2-D	SJ18065HA2BAT(L)	Ball	220/240	50/60	0.28/0.30	60/50	2800/3000	385/435	10.88/12.29	0.65/0.75	62/68	1450

Above specification is only for reference and subject to change without notice.