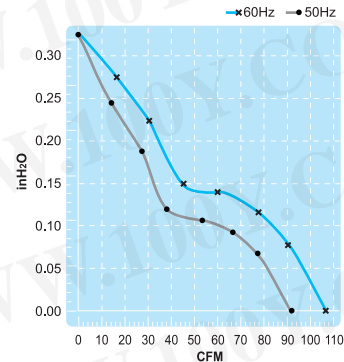
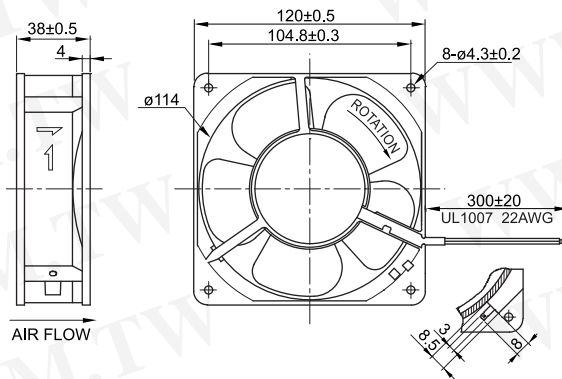


UF12A Series

勝特力材料 886-3-5753170
 勝特力电子(上海) 86-21-54151736
 勝特力电子(深圳) 86-755-83298787
[Http://www.100y.com.tw](http://www.100y.com.tw)

Size : 120 x 120 x 38
 Unit : mm



Impedance Protection

Terminal or Lead Wire Type



Spec. Model	Rated Voltage V	Frequency Hz	Input Power W	Rated Current A	Locked Current A	Speed RPM	Maximum Air Flow m ³ /min.	Maximum Air Flow CFM	Maximum Pressure mmH ₂ O	Maximum Pressure InchH ₂ O	Noise dB	Weight kg
UF12A10-H	100V	50	19	0.24	0.33	2700	2.6	92	8.0	0.32	42	0.53
		60	16	0.20	0.27	3100	3.0	106	8.0	0.32	46	
UF12A11-H	115V	50	14	0.20	0.27	2700	2.6	92	8.0	0.32	42	0.53
		60	12	0.16	0.23	3100	3.0	106	8.0	0.32	46	
UF12A20-H	200V	50	19	0.12	0.17	2700	2.6	92	8.0	0.32	42	0.53
		60	16	0.10	0.13	3100	3.0	106	8.0	0.32	46	
UF12A23-H	230V	50	17	0.10	0.14	2700	2.6	92	8.0	0.32	42	0.53
		60	15	0.08	0.12	3100	3.0	106	8.0	0.32	46	
UF12A11-M	115V	50	14	0.18	0.20	2500	2.4	85	6.5	0.26	40	0.53
		60	12	0.17	0.19	2750	2.6	92	7.0	0.28	42	
UF12A23-M	230V	50	17	0.09	0.10	2500	2.4	85	6.5	0.26	40	0.53
		60	15	0.08	0.09	2750	2.6	92	7.0	0.28	42	
UF12A11-L	115V	50	14	0.16	0.18	2100	2.1	75	4.0	0.16	36	0.53
		60	12	0.15	0.16	2300	2.3	82	4.1	0.16	38	
UF12A23-L	230V	50	17	0.08	0.09	2100	2.1	75	4.0	0.16	36	0.53
		60	15	0.07	0.08	2300	2.3	82	4.1	0.16	38	

GENERAL DATA

勝特力材料 886-3-5753170
 勝特力电子(上海) 86-21-54151736
 勝特力电子(深圳) 86-755-83298787
[Http://www.100y.com.tw](http://www.100y.com.tw)

General Data:

- **Frame/Housing** : Aluminum die-casting
- **Impeller** : Plastic PBT PC, nylon or metal.
- **Bearing System** : Ball bearing or sleeve bearing
- **Motor** : Shaded pole or capacitor induction
- **Connection** : Lead wire or terminal type
- **Protection** : Impedance protection or thermal protection
- **Insulation Resistance** : Above 100M Ω , DC500V.
- **Dielectric withstand voltage** : AC 1500V (50/60Hz) one minute
- **Operating Temperature** : Ball bearing: -40°C~70°C
Sleeve bearing: -20°C~70°C
- **Life Expectancy** : Ball bearing: over 40,000 hr. (At 40°C)
Sleeve bearing: over 15,000 hr. (At 40°C)
- **Safety Approval** : UL, CUL, CE, TUV.



- **Description of Model No.**

UF	12	A	(R)	11	B	T	H	N
1	2	3	4	5	6	7	8	9

- | | | | | |
|---|--|---|---|---|
| <p>1. UF:
Fulltech</p> | <p>2. Size:
12 : 120 x 120mm
13 : 127 x 127mm
92 : 92 x 92mm
80 : 80 x 80mm
15 : 150 x 172mm
17 : 172 x 172mm
25 : 254 x 254mm
60 : 60 x 60mm
16 : 160 x 160mm
18 : 180 x 180mm</p> | <p>3. Thickness:
A : 38mm
B : 25mm
D : 30mm
G : 89mm
K : 55mm
P : 51mm
F : 62mm
J : 90mm
H : 107mm</p> | <p>4. Special Design:
C : Capacitor Induction Motor
R : Reverse Air
M : Metal Impeller
CR : Capacitor Induction Motor
+ Reverse Air
MR : Metal Impeller + Reverse Air
E : Without Frame
A : 3 Phases</p> | |
| <p>5. Input Voltage:
11 : 115V
23 : 230V
10 : 100V
20 : 200V</p> | <p>6. Bearing:
B : Ball
S : Sleeve</p> | <p>7. Electrical Connection:
T : Terminal Type
W : Lead Wire</p> | <p>8. Speed:
H : High
M : Medium
L : Low</p> | <p>9. Feature:
N : Motor Sealed
D : Stator
Painted</p> |