



80x80x15mm

- Airflow: 23.5~50.2 CFM
- Static Pressure: 1.4~5.8 mm-H₂O
- Blade / Housing: Plastic Material UL 94V-0 P.B.T.
- Lead Wire: UL1007 #26 AWG
- Weight: 50.0 g

Model No.	Bearing	Rated Voltage VDC	Operating Voltage Range VDC	Speed RPM	Max. Airflow CFM	Max. Static Pressure mm-H ₂ O	Current mA	Power Consumption W	Life at 40°C L10 Hour	P-Q Curve	Noise Level dB(A)
FD128015LB	2B	12	7~13.2	2100	23.5	1.4	70	0.84	80000	5	19.0
FD128015MB	2B		7~13.2	2600	29.1	1.9	100	1.20	80000	4	27.0
FD128015HB	2B		7~13.2	3200	35.8	2.7	190	2.28	75000	3	33.0
FD128015EB	2B		7~13.2	3900	43.6	4.3	250	3.00	65000	2	38.5
FD128015EB	2B		7~13.2	4500	50.2	5.8	380	4.56	65000	1	42.0
FD128015LL	L		7~13.2	2100	23.5	1.4	90	1.08	50000	5	19.0
FD128015ML	L		7~13.2	2600	29.1	1.9	140	1.68	50000	4	27.0
FD128015HL	L		7~13.2	3200	35.8	2.7	250	3.00	50000	3	30.5
FD128015EL	L		7~13.2	3900	43.6	4.3	330	3.96	50000	2	35.0

2B: 2-ball bearing L: sintetico bearing S: sleeve bearing

Voltage Available

05 12 24 48

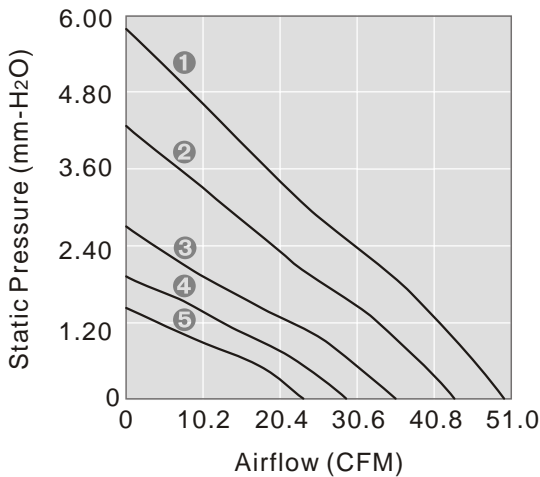
Bearing System Available

2B L S

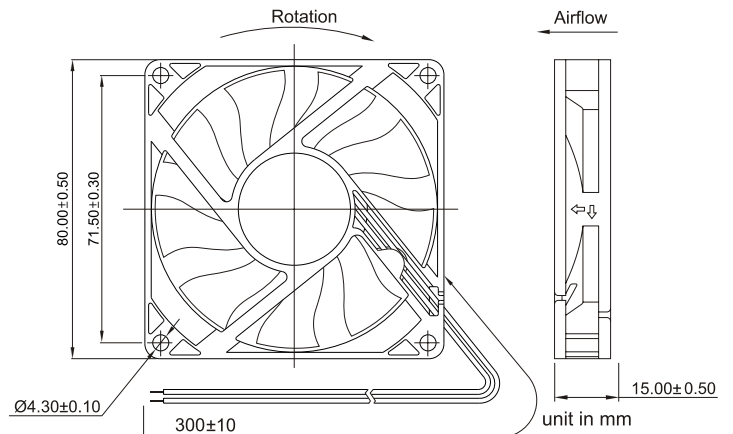
Function Available

N A I F R Q S T M V C P D W U

PERFORMANCE P-Q CURVE



OUTLINE DIMENSIONS



Please refer to *Model Numbering System* for bearing, function and speed level indication. Specifications are subject to changes without notice. Please refer to the formally issued product specification via contacting Y.S. TECH sales department. Visit Y.S. TECH web site at <http://www.ystech.com.tw> for updated information. Customized Specifications are designed accordingly