

W2E143 Series

Tubeaxial

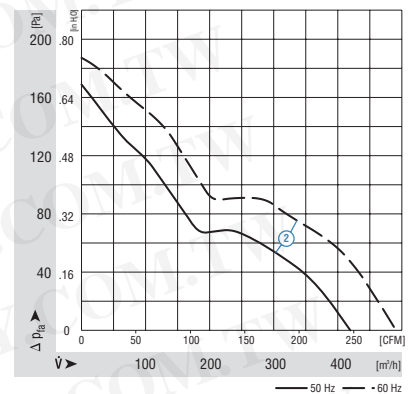
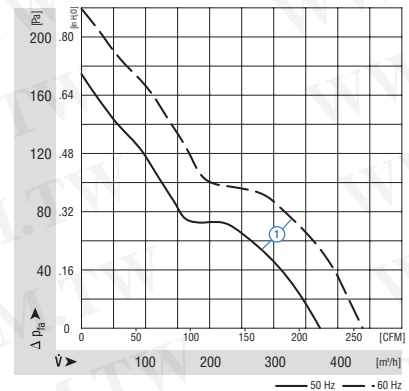
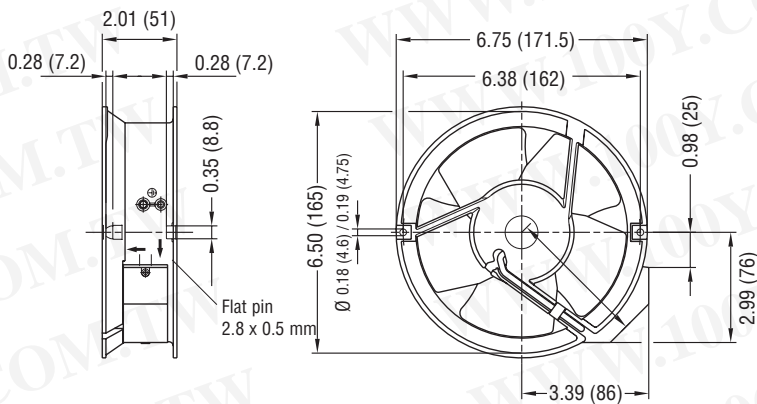
Ø 172x51mm



- AC fans with PSC motor.
- Die-cast aluminum housing. Impeller of sheet-steel, directly welded onto rotor.
- Air exhaust over struts. Rotational direction CCW looking at rotor.
- Mounting from either face using two 4.6 mm holes.
- Electrical connection via 2 flat pin terminals 2.8 x 0.5 mm.
- Mounting from either face using 2 4.6 mm (.187") holes.
- UL, CSA, VDE approvals on some models, please contact application engineering.

| Part Number | Curve | CFM @ 0 | VAC | Hertz | Power (W) | dBA | Max. Amb. Temp C | Bearing Type | Features | Wgt. (lbs) |
|----------------|-------|---------|-----|-------|-----------|-----|------------------|--------------|-----------|------------|
| W2E143-AA15-01 | 1 | 258.9 | 115 | 60* | 26 | 60 | 70 | Ball | Terminals | 2.20 |
| W2E143-AA09-01 | 1 | 258.9 | 230 | 60* | 26 | 60 | 70 | Ball | Terminals | 2.20 |
| W2E143-AB15-01 | 2 | 294.2 | 115 | 60* | 29 | 58 | 75 | Ball | Terminals | 2.20 |
| W2E143-AB09-01 | 2 | 294.2 | 230 | 60* | 29 | 58 | 75 | Ball | Terminals | 2.20 |

* 50 Hz data available upon request



勝特力材料 886-3-5753170
勝特力电子(上海) 86-21-34970699
勝特力电子(深圳) 86-755-83298787
[Http://www.100y.com.tw](http://www.100y.com.tw)

ebmpapst

e-mail: sales@us.ebmpapst.com · TEL: 860-674-1515 · FAX: 860-674-8536

ebm-papst Inc., 100 Hyde Road, Farmington, CT 06034 USA

ebm-papst Inc., 2006 © ebm-papst Inc. reserves the right to change any specifications or data without notice