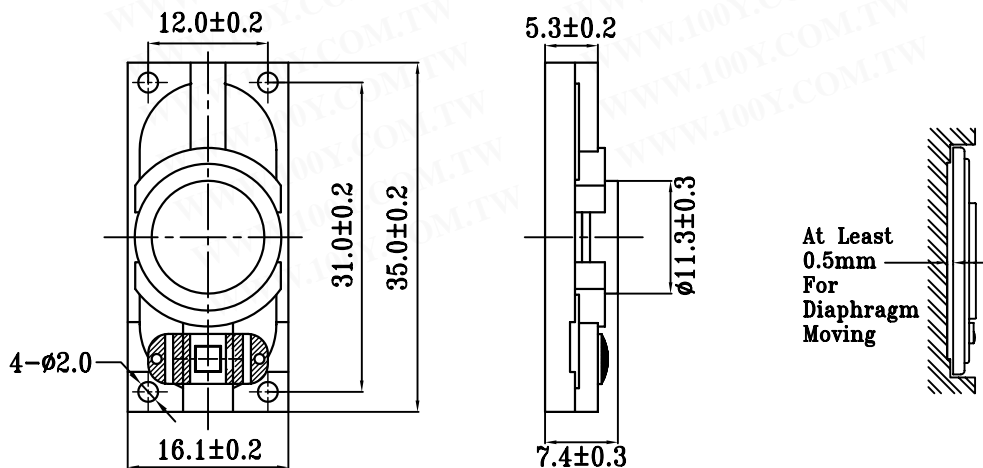
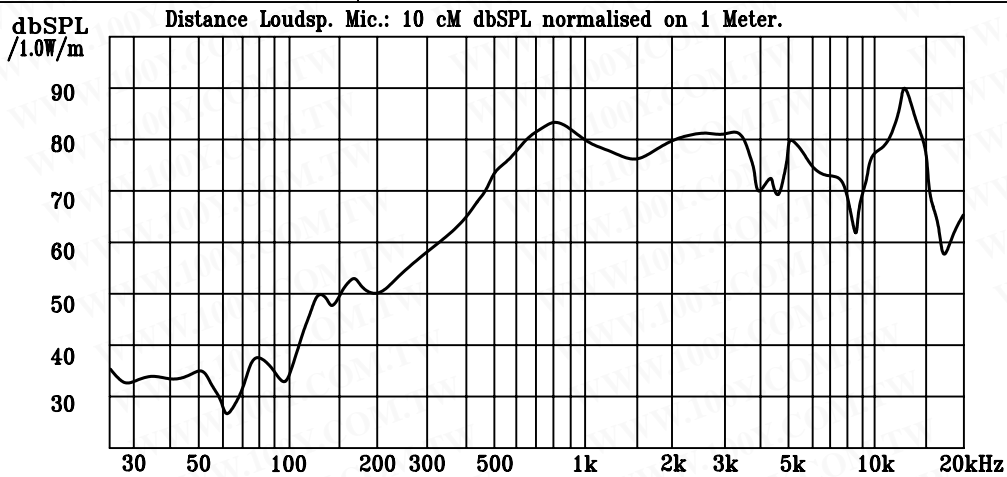


勝特力材料 886-3-5753170  
 勝特力电子(上海) 86-21-54151736  
 勝特力电子(深圳) 86-755-83298787  
[Http://www.100y.com.tw](http://www.100y.com.tw)

1	MODEL	1635CP08A
2	Dimension	16.1X35.0X7.4H Weight 4.0 Gram.
3	Magnet	Materials Rare Earth Size $\phi 8.0 \times 2.0$ mm.
4	Nominal Impedance	8 Ohm $\pm 15\%$
5	Power Rating	Normal 1.0 W. Maximum 2.0 W.
6	Lowest Resonant Frequency	640 $\pm$ 128 Hz
7	Output Sound Pressure Level	78 $\pm$ 3 db / 1 Watt 1 Meter.
		Average at 1000,1200,1500,2000 HZ
8	Frequency Range	450~20K Hz. Average SPL-10 db.
9	Distortion	5 % Maximum At 1000 Hz 1.0 W.
10	Abnormal Sound Test	Must be Normally Tested By 2.83 Volts Sine Wave.
11	Load Test	White Noise with Weighted Filter 2.83 Volts. (RMS) 96 Hrs.
12	Operation Temperature	-25°C ~ +70°C
13	Storage Temperature	-40°C ~ +85°C
14	Polarity	Diaphragm shall move Forward when Apply a Positive DC
		Current to the "+" or "Marked" Terminal.
15	Remarks	Above specifications on the strength of CNS4784 and CNS4785.



Unit:mm

0306C

Admitted:

Approved:

Made: