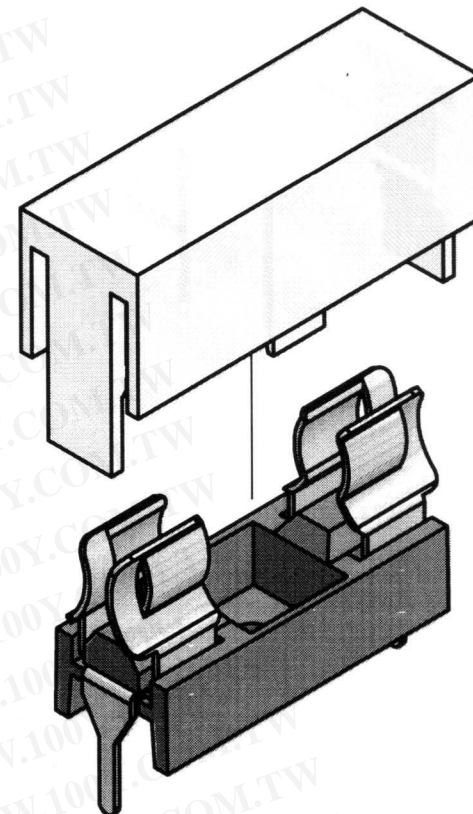
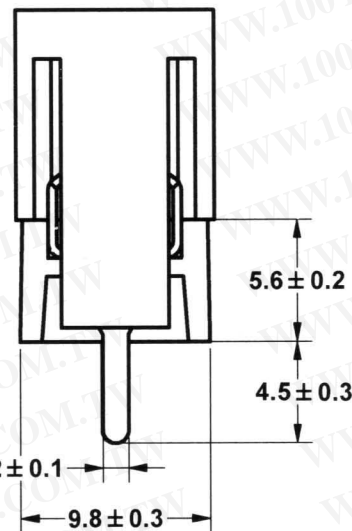
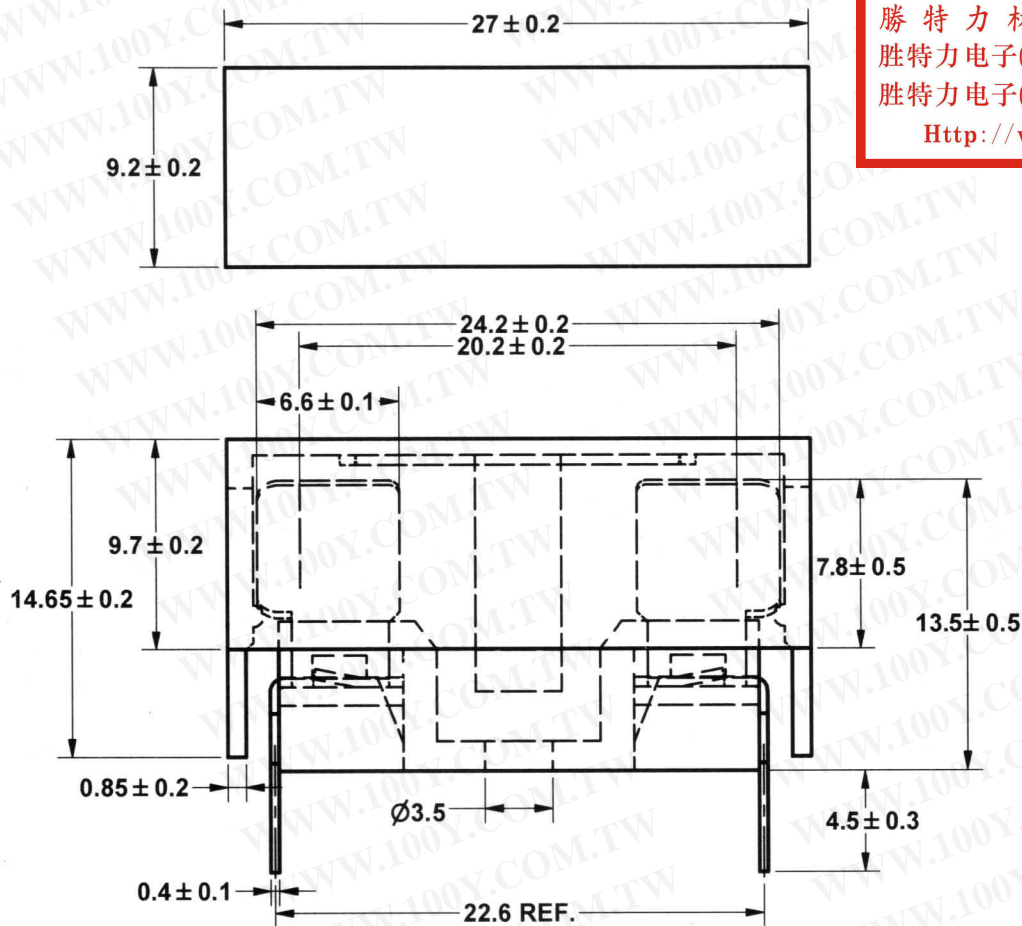


勝特力材料 886-3-5753170  
 勝特力电子(上海) 86-21-34970699  
 勝特力电子(深圳) 86-755-83298787  
[Http://www.100y.com.tw](http://www.100y.com.tw)



**Electrical Characteristics:**

Nominal Current/Voltage: 6.3A 250V

Operating Power: 1.6W

Contact Resistance:  $< 5m\Omega$

Insulation Resistance:  $> 100M\Omega$



Dielectric Strength:  $> 3000Vac/60sec.$

**Material:**

Insulation Body: Nylon+Glass fiber UL 94 V0

Insulation Cover: PC

Contact Fuse Clip: Brass Tin Plated

UNLESS OTHERWISE SPECIFIED DIMENSIONS ARE IN MM TOLERANCE DECIMALS      ANGULAR X $\pm$ 0.5 $\pm$ 2' XX $\pm$ 0.2 DO NOT SCALE DRAWING		CUSTOMER NO.	TITLE
		DRAWN BY JANE	
 		CHECKED BY	5.2X20mm Fuse Block
		APPROVED BY 鄒文和	
P/N		DATE 2009/4/7	PART NO. 2183
REV B		SCALE	DRAWING NO. AA05011901