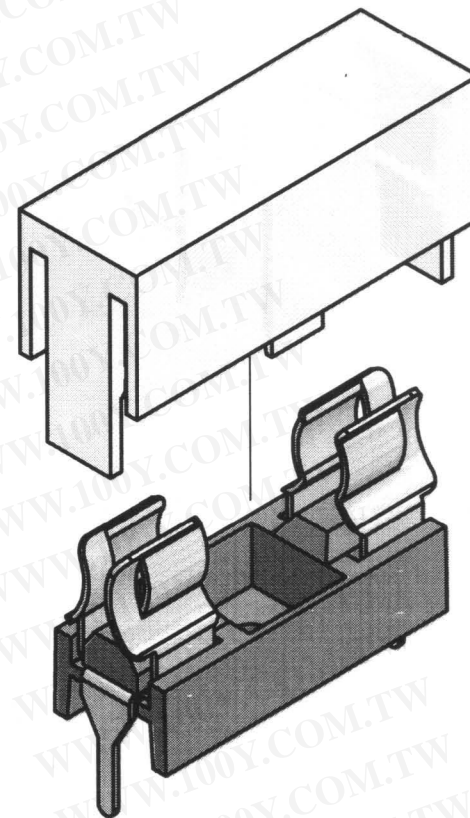
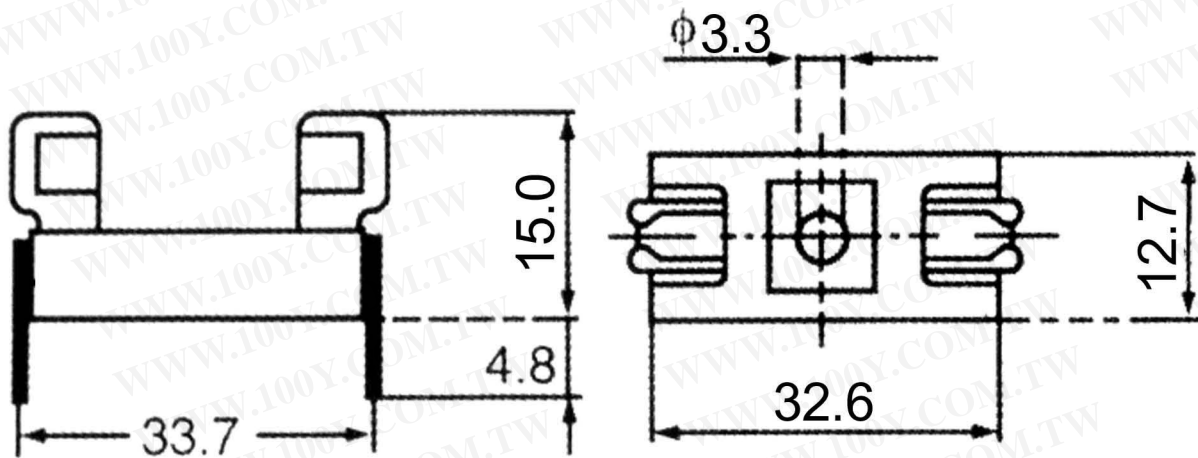




勝特力材料 886-3-5753170
 勝特力电子(上海) 86-21-34970699
 勝特力电子(深圳) 86-755-83298787
[Http://www.100y.com.tw](http://www.100y.com.tw)



UNLESS OTHERWISE SPECIFIED DIMENSIONS ARE IN MM TOLERANCE DECIMALS ANGULAR X ± 0.5 ±2 XX ± 0.2 DO NOT SCALE DRAWING		CUSTOMER NO.	TITLE
		DRAWN BY JANE	
 		CHECKED BY	PART NO. 2183A
		APPROVED BY 鄭文和	
P/N		DATE 2009/4/7	
REV	B	SCALE	