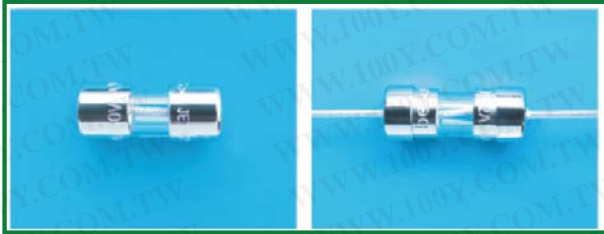


Type 2JS / 3JS Time-lag Fuse Series

5 x 15mm Glass Tube
RoHS 6 Compliant

HF Pb 2JS / 3JS Series, 5 x 15mm Time-lag Fuse



Description

5x15 mm Time-lag, glass tube body cartridge fuse designed, approved and complied with UL and CSA standard 248-14.

Electrical Characteristics (UL / CSA STD.248-14)

| Testing current | Blow Time | |
|-----------------|-----------|----------|
| | Minimum | Maximum |
| 100% | 4 hrs. | N/A |
| 135% | N/A | 1 hr |
| 200% | 3 sec | 20 sec |
| 500% | 100 msec | 1.5 sec |
| 1000% | 30 msec | 300 msec |

Features

- Meet UL and CSA standard 248-14
- Wide operating temperature range
- Bulk and Tape & Reel packing available
- RoHS6 compliant
- Halogen Free
- Leadfree

Applications

Provide individual protection for components or internal circuits.

- Power Supplies
- Battery charger
- Monitor
- Adapter

LEAD FREE =

HALOGEN FREE =

Safety Agency Approvals

| SAFETY AGENCY | SAFETY AGENCY CERTIFICATE NUMBER | AMPERE RANGE / VOLT @ I.R.ABILITY |
|---------------|--|---|
| | E20624 | 100mA - 7A / 350V AC @100A 100mA - 7A / 125V AC @10,000A 100mA - 7A / 140V DC @150A |
| | LR39772 | 100mA - 7A / 350V AC @100A 100mA - 7A / 125V AC @10,000A |
| | JET 1037-31003-1010 JET 1037-31003-1011 | 1A - 5A / 125V AC @500A |
| | JET 1037-31003-1007 | >5A - 15A / 125V AC @300A |
| | | 100mA - 7A / 350V AC @100A 100mA - 7A / 125V AC @10,000A 100mA - 7A / 140V DC @150A |

Specifications subject to change without notice

勝特力材料 886-3-5753170
勝特力电子(上海) 86-21-34970699
勝特力电子(深圳) 86-755-83298787
Http://www.100y.com.tw

Type 2JS / 3JS Time-lag Fuse Series

5 x 15 mm Glass Tube
RoHS 6 Compliant



bel

JS May2012D

Electrical Specifications

| Catalog Number | Ampere Rating | Typical Cold Resistance (ohm) | Volt-drop @100% In (Volt) Max. | Voltage Rating (V) | Interrupting Rating | Melting I ₂ T <10 m Sec (A ² Sec) | Melting I ₂ T @ 10 In (A ² Sec) | Maximum Power Dissipation (W) | Agency Approvals | | | |
|----------------|---------------|-------------------------------|--------------------------------|--------------------|---|---|---|-------------------------------|------------------|---|---|---|
| | | | | | | | | | | | | |
| JS 100-R | 100mA | 13.5 | 2.42 | 350 | 100mA - 7A / 350V AC @100A 100mA - 7A / 125V AC @10,000A 100mA - 7A / 140V DC @150A | 0.068 | 0.088 | 0.22 | Y | Y | | Y |
| JS 125-R | 125mA | 7.7 | 1.68 | 350 | | 0.107 | 0.138 | 0.24 | Y | Y | | Y |
| JS 150-R | 150mA | 5.6 | 1.56 | 350 | | 0.167 | 0.216 | 0.27 | Y | Y | | Y |
| JS 200-R | 200mA | 3.5 | 1.20 | 350 | | 0.26 | 0.34 | 0.30 | Y | Y | | Y |
| JS 250-R | 250mA | 2.3 | 0.96 | 350 | | 0.41 | 0.53 | 0.34 | Y | Y | | Y |
| JS 300-R | 300mA | 1.5 | 0.78 | 350 | | 0.64 | 0.83 | 0.36 | Y | Y | | Y |
| JS 350-R | 350mA | 1.1 | 0.67 | 350 | | 0.80 | 1.0 | 0.40 | Y | Y | | Y |
| JS 400-R | 400mA | 0.86 | 0.59 | 350 | | 0.99 | 1.3 | 0.42 | Y | Y | | Y |
| JS 500-R | 500mA | 0.62 | 0.53 | 350 | | 1.6 | 2.0 | 0.47 | Y | Y | | Y |
| JS 600-R | 600mA | 0.44 | 0.53 | 350 | | 2.2 | 2.3 | 0.49 | Y | Y | | Y |
| JS 700-R | 700mA | 0.32 | 0.42 | 350 | | 3.0 | 4.0 | 0.54 | Y | Y | | Y |
| JS 750-R | 750mA | 0.28 | 0.38 | 350 | | 3.0 | 4.0 | 0.55 | Y | Y | | Y |
| JS 800-R | 800mA | 0.23 | 0.37 | 350 | | 5.0 | 7.0 | 0.60 | Y | Y | | Y |
| JS 1-R | 1A | 0.19 | 0.36 | 350 | | 5.9 | 7.8 | 0.64 | Y | Y | Y | Y |
| JS 1.25-R | 1.25A | 0.13 | 0.30 | 350 | | 9.3 | 12 | 0.71 | Y | Y | Y | Y |
| JS 1.5-R | 1.5A | 0.094 | 0.23 | 350 | | 15 | 19 | 0.80 | Y | Y | Y | Y |
| JS 2-R | 2A | 0.063 | 0.22 | 350 | | 23 | 30 | 0.89 | Y | Y | Y | Y |
| JS 2.5-R | 2.5A | 0.046 | 0.21 | 350 | | 35 | 46 | 0.99 | Y | Y | Y | Y |
| JS 3-R | 3A | 0.037 | 0.19 | 350 | | 55 | 72 | 1.10 | Y | Y | Y | Y |
| JS 3.5-R | 3.5A | 0.030 | 0.18 | 350 | | 69 | 91 | 1.16 | Y | Y | Y | Y |
| JS 4-R | 4A | 0.026 | 0.18 | 350 | 86 | 114 | 1.22 | Y | Y | Y | Y | |
| JS 5-R | 5A | 0.018 | 0.16 | 350 | 135 | 179 | 1.36 | Y | Y | Y | Y | |
| JS 6-R | 6A | 0.015 | 0.16 | 350 | 211 | 279 | 1.51 | Y | Y | Y | Y | |
| JS 7-R | 7A | 0.012 | 0.15 | 350 | 263 | 350 | 1.60 | Y | Y | Y | Y | |

Consult manufacturer for other ratings

CORPORATE OFFICE

Bel Fuse Inc.
206 Van Vorst Street
Jersey City, NJ 07302
Tel 201-432-0463
Fax 201-432-9542
E-Mail: belfuse@belf.com
Website: www. belfuse.com

FAR EAST OFFICE

Bel Fuse Ltd.
8/F Luk Hop Industrial Building
8 Luk Hop Street
San Po Kong
Kowloon, Hong Kong
Tel 852-2328-5515
Fax 852-2352-3706

EUROPE OFFICE

Bel Fuse Europe Ltd.
Preston Technology Management Centre
Marsh Lane, Suite F15
Preston, Lancashire, PR1 8UQ
United Kingdom
Tel 44-1772-556601
Fax 44-1772-561008

EUROPE

Bel Stewart GmbH
Industriestrasse 20
61381 Friedrichsdorf
Germany
Tel 49-6172-9552-0
Fax 49-6172-9552-40

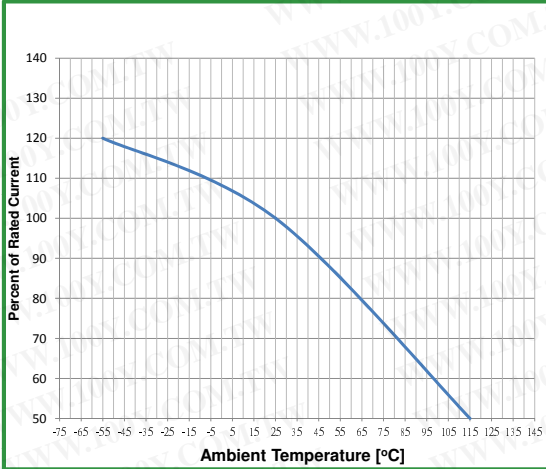
Type 2JS / 3JS Time-lag Fuse Series

5 x 15 mm Glass Tube
RoHS 6 Compliant

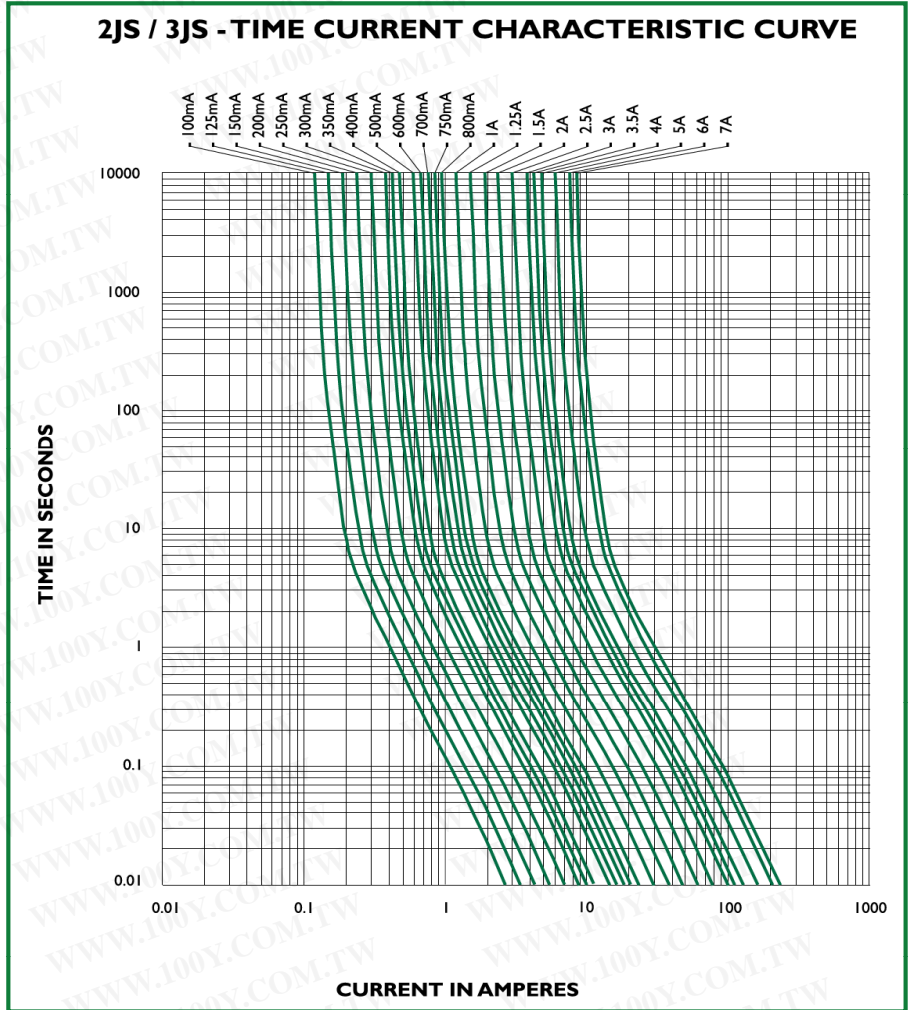


JS May 2012C

Temperature Derating Curve

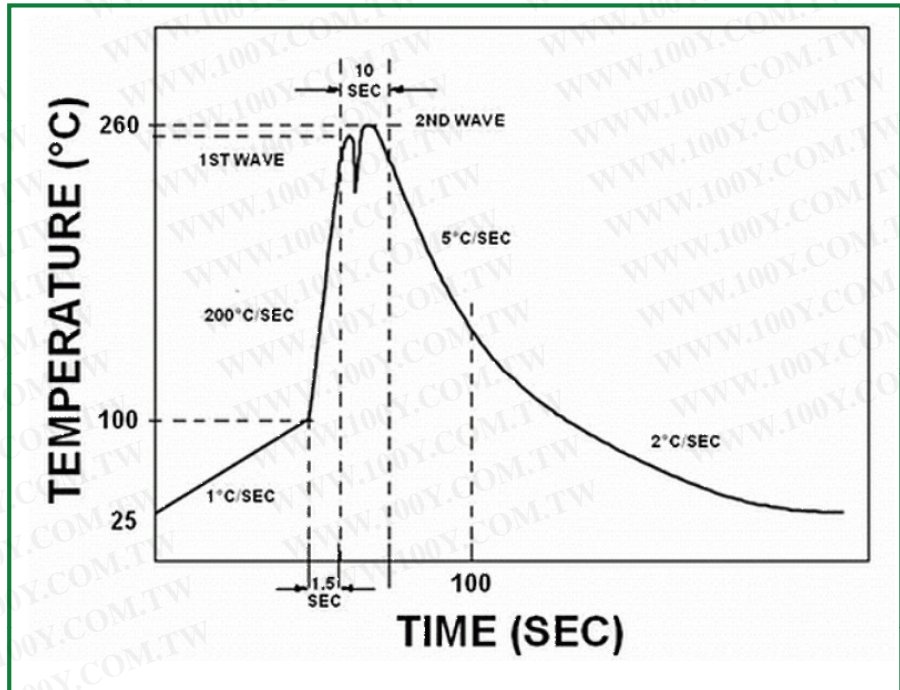


Average Time Current Curve



Soldering Parameters

| Lead-free Wave Soldering Profile | |
|---|--|
| Wave Soldering Parameter | |
| Average ramp-up rate | 200°C / second |
| Heating rate during preheat | typical 1 - 2 °C / second Max. 4°C / second |
| Final preheat temperature | within 125°C of soldering temperature |
| Peak temperature T _p | 260°C |
| Time within +0 °C / -5°C of actual peak temperature | 10 seconds |
| Ramp-down rate | 5 °C / second max. |



Type 2JS / 3JS Time-lag Fuse Series

5 x 15 mm Glass Tube
RoHS 6 Compliant



JS May2012D

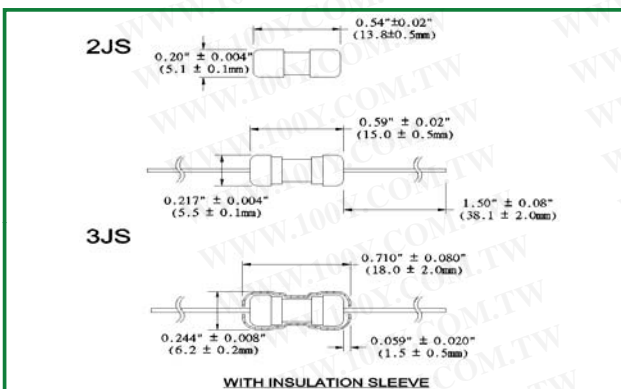
Physical Specifications

| | |
|------------------|---|
| Materials | Body : Glass |
| | Cap : Nickel Plated Brass Caps |
| | Leads: Matte Tin Plated Copper |
| Marking | On Fuse: |
| | "bel", "JS", "Current Rating", "Voltage Rating", |
| | "Appropriate Safety Logos", " (RoHS 6 compliant) |
| | On label: |
| | "bel", "2JS", or "3JS", "Current Rating", "Voltage Rating", "Interrupting Rating", "Appropriate Safety Logos" and " (China RoHS compliant). |

Environmental Specifications

| | |
|----------------------------------|--|
| Shock Resistance | MIL-STD-202G, Method 213B, Test Condition I (100 G's peak for 6 milliseconds; Sawtooth Waveform) |
| Vibration Resistance | MIL-STD-202G, Method 201A (10-55 Hz, 0.06 inch, total excursion). |
| Salt Spray Resistance | MIL-STD-202G, Method 101E, Test condition B (48 hrs). |
| Insulation Resistance | MIL-STD-202G, Method 302, Test Condition A (After Opening) 10,000 ohms minimum. |
| Solderability | MIL-STD-202G, Method 208H |
| Resistance to solder Heat | MIL-STD-202G Method 210F, Test Condition B. (260+/-5°C, 10+/- 1 sec) |
| Thermal Shock | MIL-STD-202G, Method 107G, Test Condition B (-65°C to +125°C). |
| Operating Temperature | -55°C to +125°C |
| Terminal Strength | IEC-68-2-21 |

Mechanical Dimensions



* Diameter lead 0.032" for all ratings

Ordering Information

| | |
|--------------------------------------|---|
| FUSE TYPE | 0658 |
| R | R = RoHS Compliant |
| AMPERE RATING | Refer to fuse FGNO explanation table |
| PIGTAIL CODE | 0 = No pigtail (2JS) 1 = Standard (axial leaded) 4 = Axial leaded with insulation sleeve |
| QUANTITY & PACKAGING CODE | 1 = 200 pcs / Bulk bag, 2K / Box ,Cartridge Type Fuse = 500 pcs/ Bulk bag / box, Pigtail Type Fuse 2 = 1500 pcs / Reel, Tape and Reel |

Specifications subject to change without notice

Packaging

| Packaging Option | Packaging Specification | Quantity | Packaging Code | Inside Tape Spacing |
|---|-------------------------|----------|----------------|---------------------|
| Bulk (bag) | N/A | 200 | 01 | N/A |
| Bulk (Pigtail Type) | N/A | 500 | 11 | N/A |
| Bulk (Pigtail Type) with Insulation Sleeve | N/A | 500 | 41 | N/A |
| Tape & Reel, 10 mm Pitch | EIA-296-F | 1500 | 12 | 53 |
| Tape & Reel with Insulation Sleeve, 10 mm Pitch | EIA-296-F | 1500 | 42 | 53 |

勝特力材料 886-3-5753170
勝特力电子(上海) 86-21-34970699
勝特力电子(深圳) 86-755-83298787
Http://www.100y.com.tw