

# CLASS J

## 600 VOLT/FUSE BLOCKS



### CLASS J FUSE BLOCKS

Ferraz Shawmut Class J Fuse Blocks accommodate all Class J fuses. A choice of screw, pressure plate, box and special order stud connectors fit a wide range of stranded or solid copper or aluminum wire. Insulators are either molded glass-filled polycarbonate (GFPC) or phenolic with verified dielectric strength in excess of 2500V. 30 and 60A fuse blocks feature a unique adder block which can be snapped onto 1-, 2- or 3-pole blocks to form multi-pole segmented blocks of as many poles as desired. All fuse clips are made of high conductivity tin-plated copper, with a choice of spring reinforced or non-spring reinforced clips in 30A and 60A. Clips 100A and above are spring reinforced.

#### Ratings

- 600VAC:  
30A, 60A, 100A,  
200A, 400A, 600A
- Short Circuit Current  
Rating: 200kA

#### Approvals

- All fuse blocks meet  
the requirements of  
UL Std. 512
- UL Listed,  
Guide IZLT, File E52283
- CSA Certified  
Class 6225, File 32169

### RECOMMENDED FUSE USAGE

Class J Blocks (600V) . . . . . use with AJT, A4J, HSJ

勝特力材料 886-3-5753170  
 勝特力电子(上海) 86-21-54151736  
 勝特力电子(深圳) 86-755-83298787  
[Http://www.100y.com.tw](http://www.100y.com.tw)

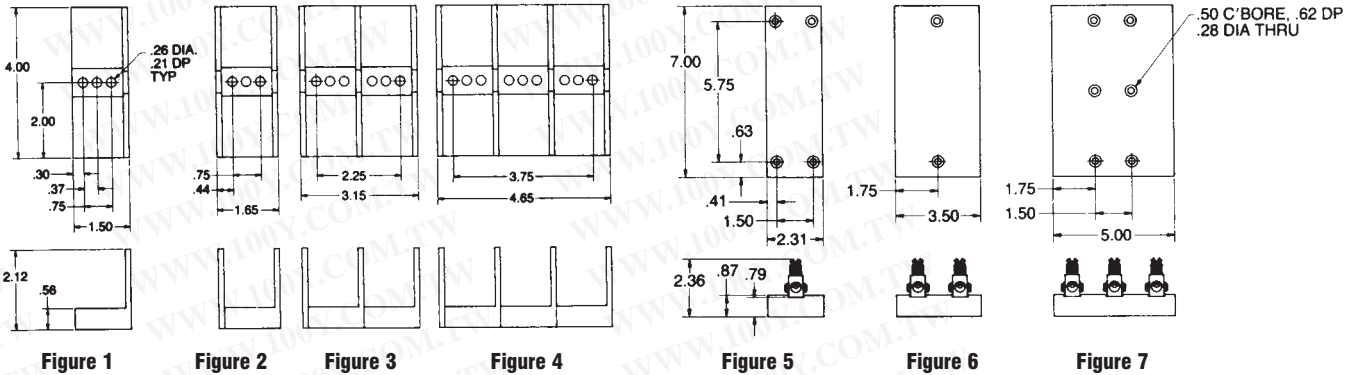


### Clip & Connector Types

30A & 60A CLIPS	CONNECTORS	CONNECTORS	CONNECTORS	CONNECTORS
SPRING REINFORCED 	NON-SPRING REINFORCED: 30A & 60A BOX 	SPRING REINFORCED: 30A & 60A BOX 	SPRING REINFORCED: 100A BOX 	SPRING REINFORCED: 400A BOX IN-LINE CLIP 
NON-SPRING REINFORCED 	30A SCREW 	30A SCREW 	200A BOX SIDE-CLIP 	600A BOX IN-LINE CLIP 
	30A PRESSURE PLATE 	30A PRESSURE PLATE 	400A BOX SIDE-CLIP 	

# CLASS J

# 600 VOLT/FUSE BLOCKS



30A figures are standard dimension fuse blocks. See also 30A space-saving "SJ" Series.

Recommended mounting screws for all 30A, 60A and 100A fuse blocks: 1/4" (.250" dia.)

## 600 Volt, 30, 60 & 100 Ampere Class J Fuse Blocks

AMPERE RATING	POLES	CONNECTOR		CATALOG NUMBER		FIG.	CONNECTOR TORQUE In - lb	
		TYPE	WIRE RANGE	TYPE OF CLIP				
				NON-SPRING REINFORCED	SPRING REINFORCED			
30 GFPC INSULATOR	ADDER 1 2 3	BOX	Al/Cu #2-14	60300J 60301J 60302J 60303J	60305J 60306J 60307J 60308J	1 2 3 4	35	
	ADDER 1 2 3	SCREW	Cu #10-14	60310J 60311J 60312J 60313J	60315J 60316J 60317J 60318J	1 2 3 4	20	
	ADDER 1 2 3	PRESSURE PLATE	Cu #10-14	60320J 60321J 60322J 60323J	60325J 60326J 60327J 60328J	1 2 3 4	20	
	ADDER 1 2 3	BOX	Cu* #4-14	- - -	60355J 60356J 60357J 60358J	1 2 3 4	35	
	60 GFPC INSULATOR	ADDER 1 2 3	BOX	Al/Cu #2-14	60600J 60601J 60602J 60603J	60605J 60606J 60607J 60608J	1 2 3 4	45
		ADDER 1 2 3	BOX	Cu* #4-14	- - -	60655J 60656J 60657J 60658J	1 2 3 4	45
		1 2 3	BOX	Al/Cu 2/0-#6	-	61036J	5	120
					-	61037J	6	
					-	61038J	7	
		1 2 3	BOX	Cu* 2/0-#12	-	61006J	5	50
	-				61007J	6		
	-				61008J	7		

**Note:** To convert 30A or 60A adder pole to single pole, use end barrier #U09617.

\* Fuse blocks have copper box connectors and clips and are for copper wires only. These are specifically designed with the same coefficient of expansion as copper wire for improved heat cycling and meet or exceed OEM "no aluminum" specifications.

# CLASS J

# 600 VOLT/FUSE BLOCKS

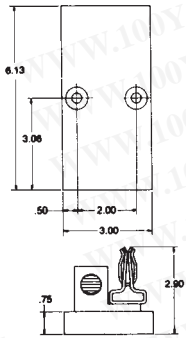


Figure 1

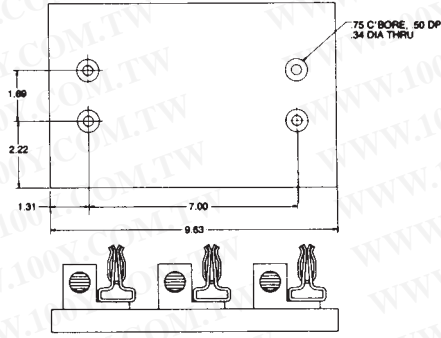


Figure 2

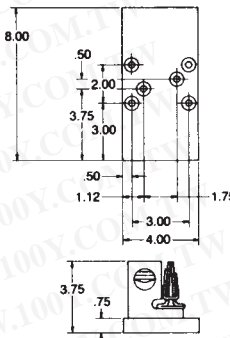


Figure 3

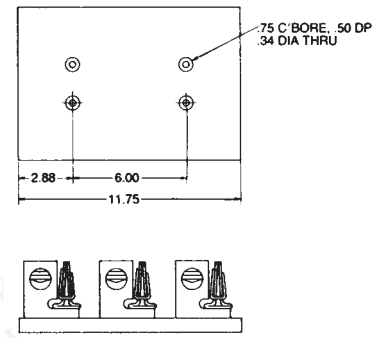


Figure 4

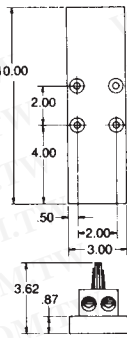


Figure 5

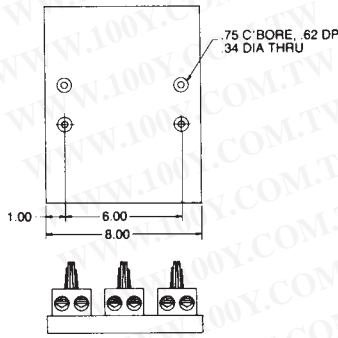


Figure 6

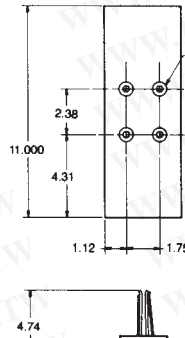


Figure 7

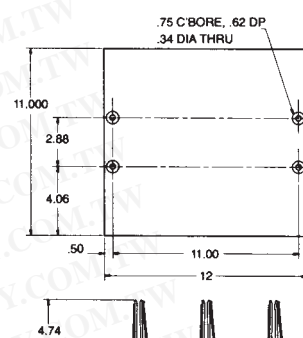


Figure 8

Recommended mounting screws:

All 200A, 400A & 600A - 5/16" (.313" dia.)

## 600 Volt, 200, 400 & 600 Ampere Class J Fuse Blocks

AMPERE RATING	POLES	CONNECTOR		CATALOG NO.	FIG.	CONNECTOR TORQUE In - lb
		TYPE	WIRE RANGE			
200 PHENOLIC INSULATOR	1	BOX	Al/Cu	62001J	1	375
	3	SIDE-CLIP	350kcmil-#6	62003J	2	
400 PHENOLIC INSULATOR	1	BOX*	Al/Cu	64001J	3	375
	3	SIDE-CLIP	1000-250kcmil	64003J	4	
	1	BOX	Al/Cu	64031J	5	275
	3	IN-LINE CLIP	(2) 350kcmil-#4	64033J	6	
	1	BOX*	Cu**	64051J	3	375
	3	SIDE-CLIP	1000-250kcmil	64053J	4	
1	BOX	Cu**	64061J	5	275	
3	IN-LINE CLIP	(2) 350kcmil-#6	64063J	6		
600 PHENOLIC INSULATOR	1	BOX	Al/Cu	6631J	7	500
	3	IN-LINE CLIP	(2) 500kcmil-#4	6633J	8	
	1	BOX	Cu**	6661J	7	375
	3	IN-LINE CLIP	(2) 500kcmil-#4	6663J	8	

\* Not UL Listed or CSA Certified

\*\* Fuse blocks have copper box connectors and clips and are for copper wires only. These are specifically designed with the same coefficient of expansion as copper wire for improved heat cycling and meet or exceed OEM "no aluminum" specifications.