

勝特力材料 886-3-5753170
 勝特力电子(上海) 86-21-54151736
 勝特力电子(深圳) 86-755-83298787
 Http://www.100y.com.tw

Low Voltage Fuses BLC, CR and CS types Super Rapid Fuses

BLC, CR and CS types Super Rapid Fuses

150-1500 Volts AC
 10-4700 Amps

■ Description

The FUJI BLC, CR and CS types are extremely reliable fuses which have been specially developed to provide protection for silicon diodes and thyristors and are suitable for inverters using semiconductors or transformers-rectifiers. FUJI Super Rapid Fuses are designed with a very small total I²t value which gives them a high speed interrupting action in the face of abnormal currents.

In addition the arc voltage generated at the time of interruption has a low value so that faults will not influence related electric machinery and equipment. These fuses can carry out the protection of many types of circuits rating from the semiconductor overcurrents to destructive short-circuiting faults-i.e. when the



semiconductors short or circuits fail the sound elements will be quickly isolated from the fault circuits.

■ Features

- The total clearing I²t is small and the semiconductor circuit is completely protected.
- Since the peak arc voltage at the time of interruption is low damage to other equipment does not occur.

- High interrupting capacity of 200kA at 1000V AC
- The CS type is provided with a blown fuse indicator. An alarm contact block (1NO or 1NC) can also be attached.

■ **UL recognized:** CR2L/UL, CR2LS/UL, CR6L/UL
 (File No. E92312)

■ **CSA certified:** CR2LS/UL
 (File No. LO4000-4090)

■ **TÜV:** CR2LS/UL (10-100A),
 CR2L/UL (150-350A)
 (Rep. No. E9450643E02)
 CR6L/UL (50-300A)
 (Rep. No. E9560543E02)

■ Specifications

Rated current	Rated voltage	Peak arc voltage	Max. interrupting I ² t (Amp ² ×sec.) × 10 ³	Watt loss	Fuse-link Type	
(A)	(V)	(V)		(W)		
12	550V AC	1550	0.09	5.1	BLC012-1	
20		1550	0.27	8.5	BLC020-1	
23		1550	0.39	10	BLC023-1	
45		1380	1.8	19	BLC045-1	
75		1250	5	32	BLC075-1	
90		1250	11.5	38	BLC090-1	
120		1200	33	51	BLC120-1	
140		1200	100	59	BLC140-1	
30		250V AC	Max. 500	0.35	4.0	CR2L-30
50				0.85	6.0	CR2L-50
75	2.3			9.0	CR2L-75	
100	4.0			12.0	CR2L-100	
125	6.5			14.0	CR2L-125	
140	7.0			16.0	CR2L-140	
150	9.5			18.0	CR2L-150	
175	13			21.0	CR2L-175	
200	17			23.0	CR2L-200	
225	22			26.0	CR2L-225	
260	27			30.0	CR2L-260	
300	38			35.0	CR2L-300	
325	49			37.0	CR2L-325	
350	60			37.0	CR2L-350	
400	103			39.0	CR2L-400	
450	140			46.0	CR2L-450	
500	160			48.0	CR2L-500	
550	200			51.0	CR2L-550	
600	215			56.0	CR2L-600	

Interrupting capacity
 BLC 100kA at 550V AC
 CR2L 100kA at 250V AC

Rated current	Rated voltage	Peak arc voltage	Max. interrupting I ² t (Amp ² ×sec.) × 10 ³	Watt loss	Fuse-link Type		
(A)	(V)	(V)		(W)			
10	250V AC	Max. 500	0.04	1.2	CR2LS-10		
20			0.17	3.0	CR2LS-20		
30			0.35	4.0	CR2LS-30		
50			0.85	6.0	CR2LS-50		
75			2.3	9.0	CR2LS-75		
100			4.0	12.0	CR2LS-100		
20			600V AC	Max. 1200	0.14	4.0	CR6L-20
30					0.35	7.0	CR6L-30
50					1.8	9.0	CR6L-50
75					3.0	12.5	CR6L-75
100	7.0	15			CR6L-100		
150	18	22.0			CR6L-150		
200	30	34.0			CR6L-200		
250	70	37.0			CR6L-250		
300	95	40.0			CR6L-300		
350	150	45.0			CR6L-350		
400	200	55	CR6L-400				
500	390	60	CR6L-500				
600	700	70	CR6L-600				

Interrupting capacity
 CR2LS 100kA at 250V AC
 CR6L 100kA at 600V AC

Low Voltage Fuses BLC, CR and CS types Super Rapid Fuses

勝特力材料 886-3-5753170
 勝特力电子(上海) 86-21-54151736
 勝特力电子(深圳) 86-755-83298787
 Http://www.100y.com.tw

■ Specifications

Rated current (A)	Inter-rupting capacity (kA)	Max. interrupting I ² t (Amp ² ×sec.) × 10 ³	Watt loss (W)	Fuse-link Type
4700	150 at 125V AC	14000	310	CS1F-4700
2000 3000	150 at 250V AC	1950 5500	124 216	CS2F-2000 CS2F-3000
40 75 100 150 200 250 300 350 400 450 500 600 800 1000 1000 1200 1200 1500	200 at 500V AC	1 3.5 5 10 18.5 33 64 85 122 131 159 257 600 1200 843 1800 1311 3600	6.4 12 17 25 34 42 45 56 57 62 73 80 114 110 167 114 200 209	CS5F-40 CS5F-75 CS5F-100 CS5F-150 CS5F-200 CS5F-250 CS5F-300 CS5F-350 CS5F-400 CS5F-450 CS5F-500 CS5F-600 CS5F-800 CS5F-1000 CS5F-1000-P CS5F-1200 CS5F-1200-P CS5F-1500
1000 1200 1500	200 at 800V AC	1800 2500 4400	125 176 220	CS8F-1000 CS8F-1200 CS8F-1500
80 100 150 200 250 300 350 400 500 560 630 750 800 1000 1250 1500	200 at 1000V AC	10 16 37 63 110 148 211 307 420 410 450 640 1259 1722 2250 3200	17 21 27 37 44 53 70 74 90 102 135 156 211 245 330 334	CS10F-80 CS10F-100 CS10F-150 CS10F-200 CS10F-250 CS10F-300 CS10F-350 CS10F-400 CS10F-500 CS10F-560 CS10F-630 CS10F-750 CS10F-800-P CS10F-1000-P CS10F-1250-P CS10F-1500-C
450 630 900 1250	100 at 1500V AC	350 760 1400 3050	134 170 280 350	CS15F-450 CS15F-630 CS15F-900-P CS15F-1250-P

- Note:
- Peak arc voltage
 CS1F Max. 450V
 CS2F Max. 750V
 CS5F Max. 1000V
 CS8F Max. 2000V
 CS10F ... Max. 2000V
 CS15F ... Less than 3000V
 - An alarm contact block AHX2905 (1NO) or AHX2915 (1NC) can be attached to CS type. (Sold separately) See page 08/44.

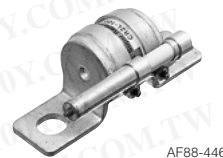
- Note: UL recognized fuse
- In the UL recognized fuses, a fuse with a blown indication fuse, or a fuse both with a blown indication fuse and a precision switch is also UL recognized.
- Examples: CR2L-200G/UL
 CR2LS-30S/UL
 CR6L-100G/UL

■ Specifications (UL-recognized, CSA certified, TÜV)

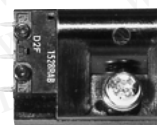
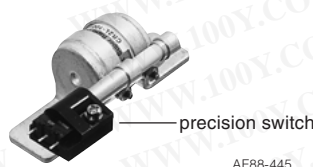
Rated current (A)	Rated voltage	Inter-rupting capacity (kA)	Max. interrupting I ² t (Amp ² ×sec.) × 10 ³	Watt loss (W)	Fuse-link Type
10 20 30 50 75 100	250V AC 400V DC	10 at AC (pf: 0.8) 10 at DC (L/R: 2ms)	0.04 0.17 0.35 0.85 2.3 4.0	1.2 3.0 4.0 6.0 9.0 12.0	CR2LS-10/UL CR2LS-20/UL CR2LS-30/UL CR2LS-50/UL CR2LS-75/UL CR2LS-100/UL
150 200 260 350 400 450 500 550 600	600V AC 680V DC	100 at AC (pf: 0.8) 10 at DC (L/R: 2ms)	9.5 17 27 60 103 140 160 200 215	18.0 23.0 30.0 37.0 39.0 46.0 48.0 51.0 56.0	CR2L-150/UL CR2L-200/UL CR2L-260/UL CR2L-350/UL CR2L-400/UL CR2L-450/UL CR2L-500/UL CR2L-550/UL CR2L-600/UL
20 30 50 75 100 150 200 300			0.14 0.35 1.8 3.0 7.0 18 30 95	4.0 7.0 9.0 12.5 15.0 22.0 34.0 40.0	CR6L-20/UL CR6L-30/UL CR6L-50/UL CR6L-75/UL CR6L-100/UL CR6L-150/UL CR6L-200/UL CR6L-300/UL

- Note:
- Peak arc voltage
 CR2LS, CR2L Max. 500V
 CR6L Max. 1200V
 - The peak arc voltage is obtained by interruption caused by the listed interrupting current at rated voltage.
 - This indicates the values when the conductors specified in UL Standards are connected and rated current apply.
 - TÜV: CR2LS, 2L: Up to 350A
 CR6L: 50 to 300A

■ CR type fuse with optional accessory Fuse with blown indication fuse CR2L (S)- □ G



Fuse with blown indication fuse and precision switch CR2L (S)- □ S Precision switch (SPDT) CRX-1



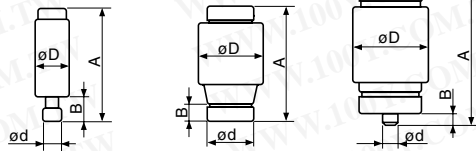
■ Dimensions, mm

● BLC

BLC012, 020, 023

BLC045

BLC075 to 140



Type	Rated current (A)	A	B	øD	ød	Color of indicator	Mass (g)
BLC012-1	12	50	10	13	10	Grey	12
BLC020-1	20	50	10	13	14	Yellow	12
BLC023-1	23	50	10	13	14	Violet	12
BLC045-1	45	50	10	27	20	White	62
BLC075-1	75	63	6	34	5	Silver	120
BLC090-1	90	63	6	34	8	Red	120
BLC120-1	120	63	6	47	8	Yellow	120
BLC140-1	140	63	6	47	8	Light red	215

Note: The BLC type fuse link requires a holder in use. The size of the holder differs according to the fuse ratings. Select the most suitable one after referring to the Table on page 08/44. For drawings see page 08/32.

■ Ordering information

Specify the following:

1. Type number

■ Type number nomenclature

BLC 012-1

Rated current: 12 to 140A
 Plug-in type super rapid fuse

CS 10F-1000 □-P/ UL

UL recognized (CR2L, CR2LS, CR6L)
 CSA certified (CR2LS)
 TÜV (CR2LS, CR2L, CR6L)

2-fuse connected parallel

Optional accessory (See page 08/44)

G: With blown indication fuse

S: With blown indication fuse and precision switch

Rated current

10 to 4700A

Rated voltage

2L, 2LS: 250V AC, 6L: 600V AC

1F: 150V AC, 2F: 250V AC

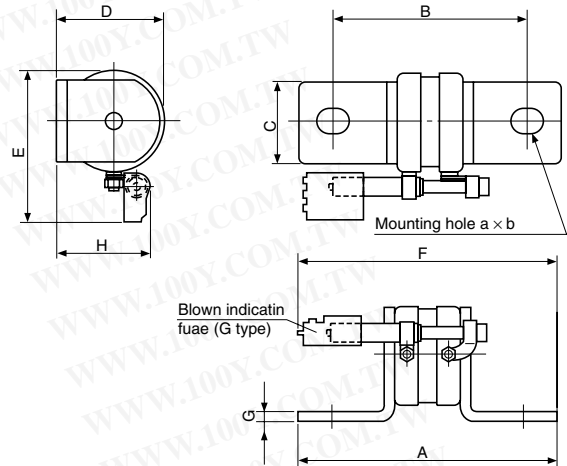
5F: 500V AC, 8F: 800V AC

10F: 1000V AC, 15F: 1500V AC

CR: Barrel-shaped super rapid fuse

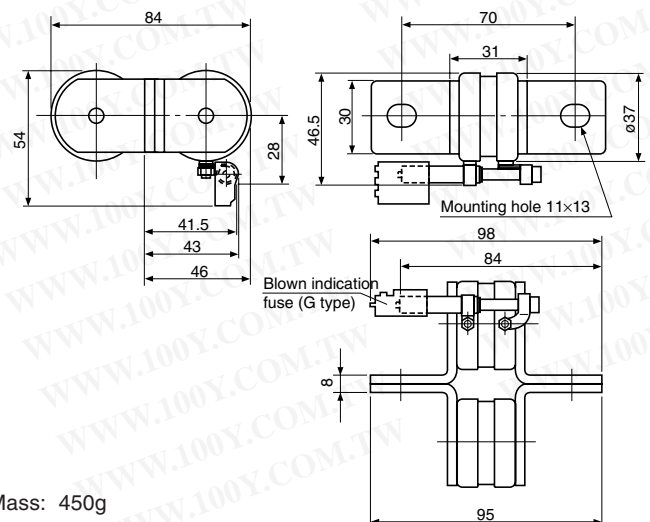
CS: Cubic-shaped super rapid fuse

● CR2L-450 or smaller, CR2LS



Type	A	B	C	D	E	a x b	F	G	H	Mass
CR2L-30	80	58	18	21.5	37	9×11	90	1.5	26.5	42g
CR2L-50										
CR2L-75	80	58	20	30.5	44	9×11	90	3	32.5	100g
CR2L-100										
CR2L-125										
CR2L-140										
CR2L-150										
CR2L-175										
CR2L-200	85	60	25	33.5	47	11×13	93	3.2	33.5	130g
CR2L-225										
CR2L-260										
CR2L-300										
CR2L-325										
CR2L-350	95	70	30	42	54	11×13	98	4	39	220g
CR2L-400										
CR2L-450										
CR2LS-10	56	42	12	18.5	34.5	6.5×8.5	78	2	25	28g
CR2LS-20										
CR2LS-30										
CR2LS-50										
CR2LS-75										
CR2LS-100										

● CR2L-500 to -600



Mass: 450g

Dimensions for reference only. Confirm before construction begins.

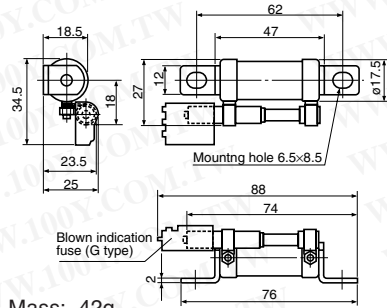
Note: The dimensions of the fuses with suffix. UL are the same as those of the standard ones.

Low Voltage Fuses BLC, CR and CS types Super Rapid Fuses

勝特力材料 886-3-5753170
 勝特力电子(上海) 86-21-54151736
 勝特力电子(深圳) 86-755-83298787
[Http://www.100y.com.tw](http://www.100y.com.tw)

■ Dimensions, mm

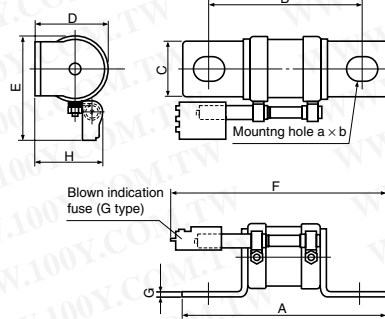
● CR6L-20, CR6L-30, CR6L-50



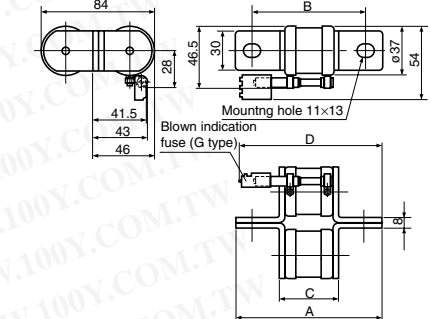
Mass: 42g

Type	A	B	C	D	E	F	G	H	a×b	Mass (g)
CR6L-75	95	70	25	34	47	102	3.2	33.5	11×13	150
CR6L-100										
CR6L-150										
CR6L-200	107	82	30	42	54	107	4	39	11×13	246
CR6L-250										
CR6L-300										

● CR6L-75 to 300

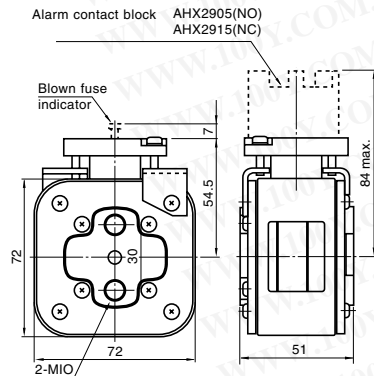


● CR6L-350 to 600



Type	A	B	C	D	Mass (g)
CR6L-350	107	82	43	107	493
CR6L-400	121	96	43	114	522
CR6L-500					
CR6L-600	121	96	47.4	114	545

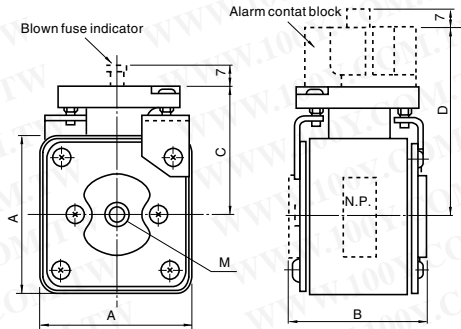
● CS1F-4700 CS2F-2000, 3000



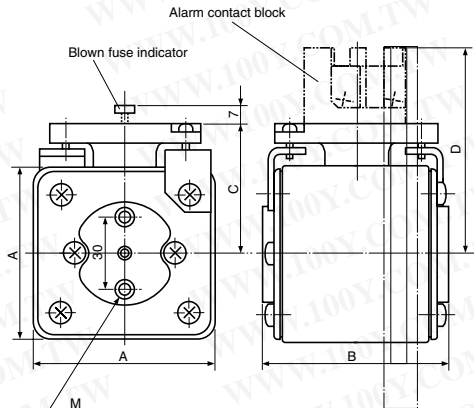
Mass: 800g

Voltage	Type	A	B	C	D (Max.)	M	Mass (g)
500V	CS5F-40	47	47	42.5	65.5	M8	320
	CS5F-75						
	CS5F-100						
	CS5F-150						
	CS5F-200						
	CS5F-250	57	51	47	70	M8	510
	CS5F-300						
	CS5F-350						
	CS5F-400	72	51	54.5	77	M10	800
	CS5F-450						
CS5F-500							
CS5F-600							
CS5F-800							
500V	CS5F-1000	72	51	54.5	77	M12	830
	CS5F-1200						
	CS5F-1500						

● CS5F-40 to 1500 CS10F-80 to 750 CS15F-450, 630



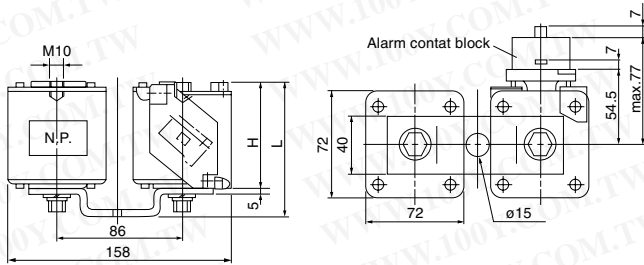
● CS8F-1000, 1200, 1500



Voltage	Type	A	B	C	D (Max.)	M	Mass (g)
800V	CS8F-1000	72	74	54.5	84	M12	1060
	CS8F-1200						
800V	CS8F-1500	72	82	54.5	84	M8	1150
1000V	CS10F-80	47	71	42.5	65.5	M8	420
	CS10F-100						
	CS10F-150	57	74	47	70	M8	690
	CS10F-200						
	CS10F-250						
	CS10F-300	72	74	54.5	77	M10	1060
	CS10F-350						
	CS10F-400						
	CS10F-500						
	CS10F-630						
CS10F-750							
1500V	CS15F-450	72	105	54.7	77	M10	1400
	CS15F-630						

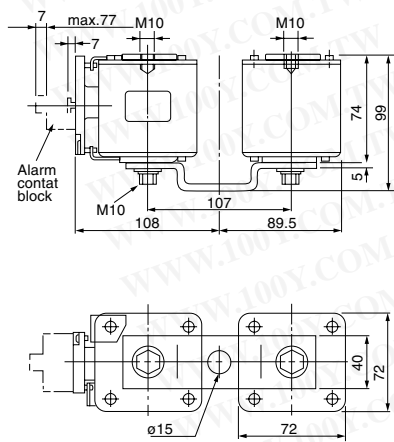
■ Dimensions, mm

● CS5F-P CS10F-P, CS15F-P



Voltage	Type	H	L	Mass (g)
500V	CS5F-1000-P CS5F-1200-P	51	69	1900
1000V	CS10F-800-P CS10F-1000-P CS10F-1250-P	74	92	2420
1500V	CS15F-900-P CS15F-1250-P	105	123	3100

● CS10F-1500-C

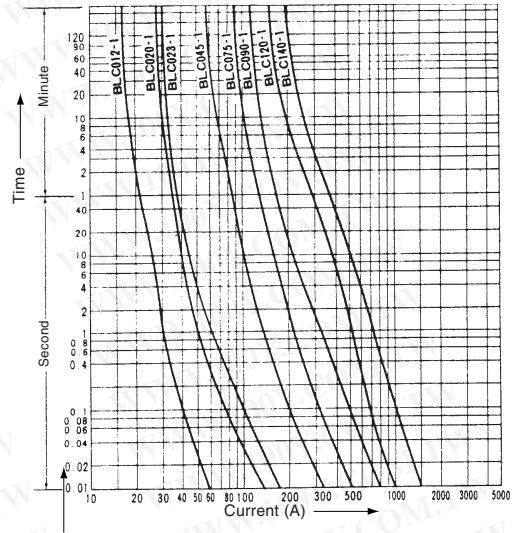


Mass: 2500g

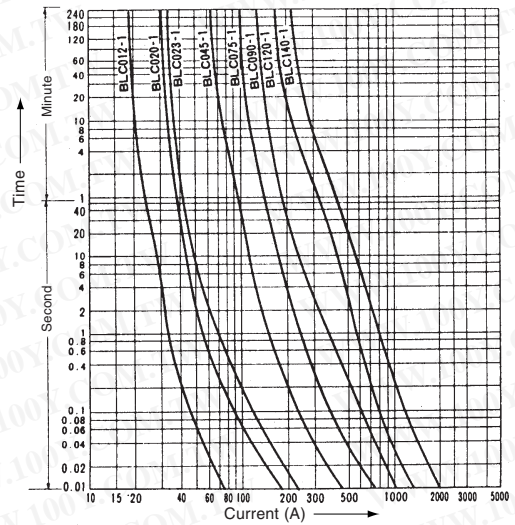
■ Characteristic curves

BLC

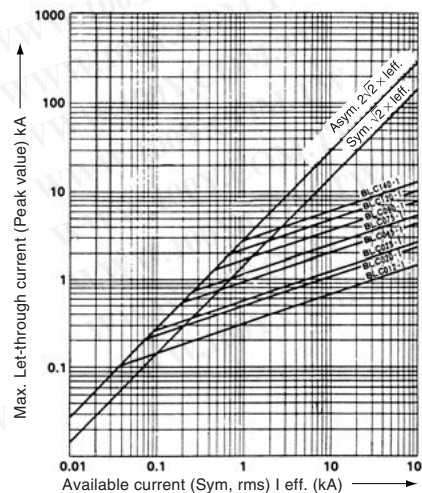
Melting time-current characteristic



Operating time-current characteristic



Current-limiting characteristic

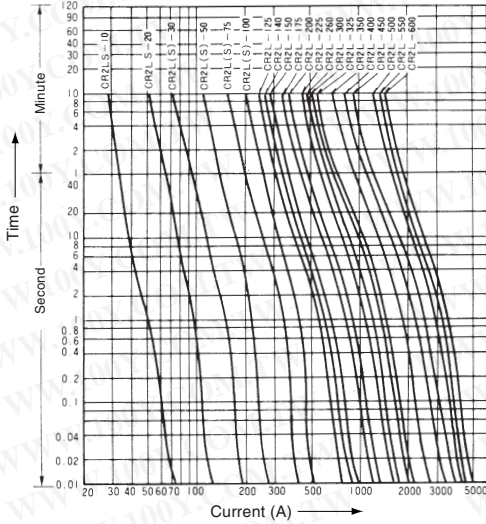


勝特力材料 886-3-5753170
 勝特力电子(上海) 86-21-54151736
 勝特力电子(深圳) 86-755-83298787
[Http://www.100y.com.tw](http://www.100y.com.tw)

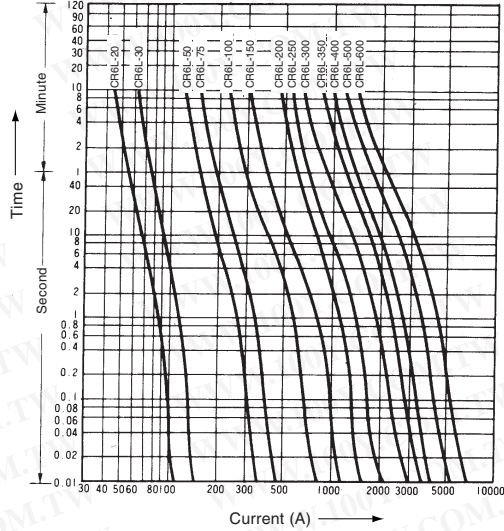
Low Voltage Fuses
BLC, CR and CS types
Super Rapid Fuses

勝特力材料 886-3-5753170
勝特力电子(上海) 86-21-54151736
勝特力电子(深圳) 86-755-83298787
[Http://www.100y.com.tw](http://www.100y.com.tw)

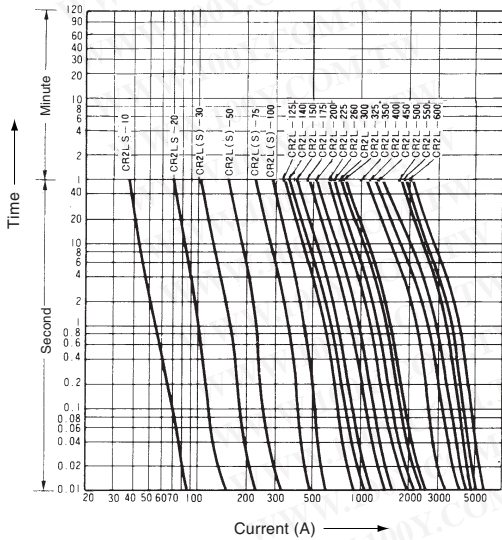
■ Characteristic curves
CR2L, CR2LS
Melting time-current characteristic



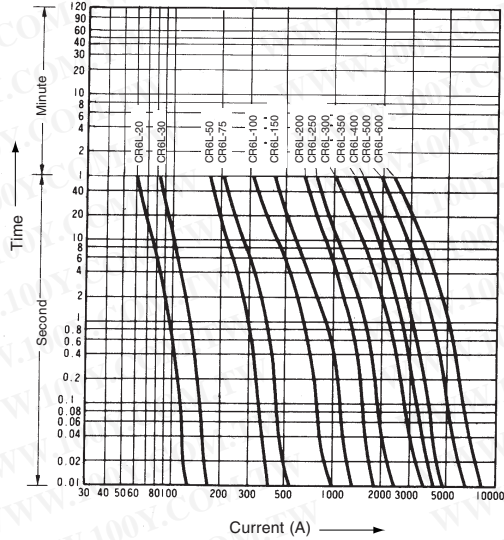
CR6L
Melting time-current characteristic



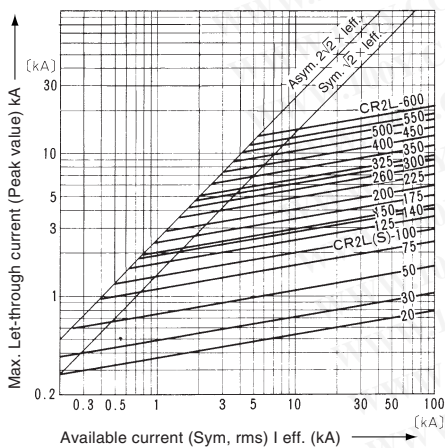
Operating time-current characteristic



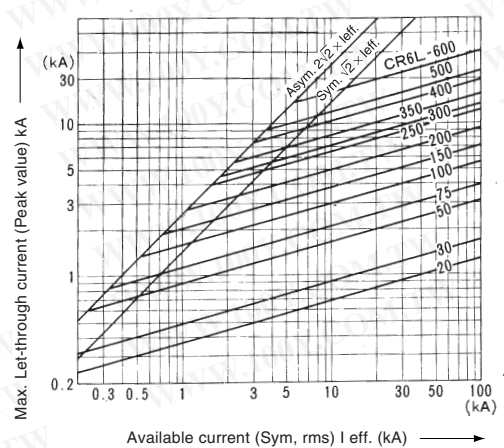
Operating time-current characteristic



Current-limiting characteristic



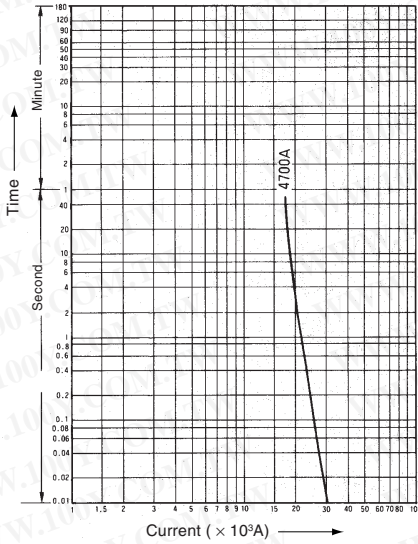
Current-limiting characteristic



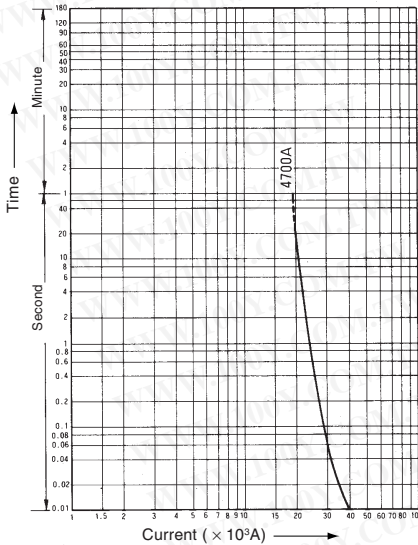
■ Characteristic curves

CS1F

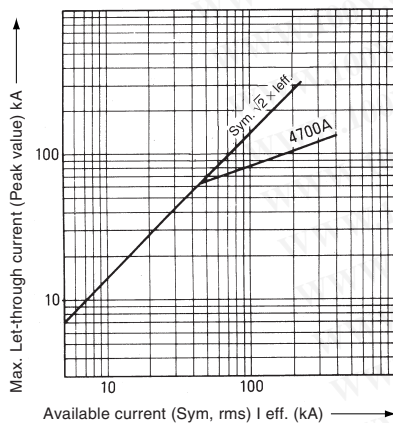
Melting time-current characteristic



Operating time-current characteristic

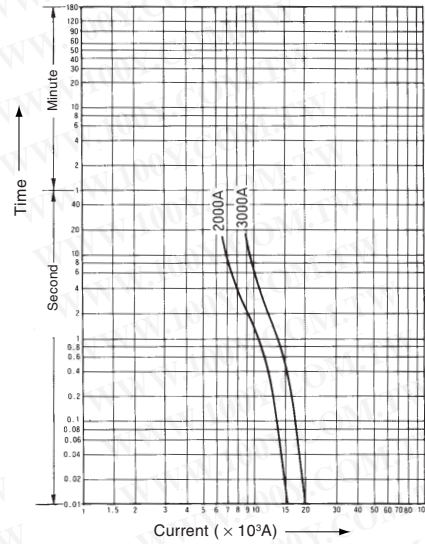


Current-limiting characteristic

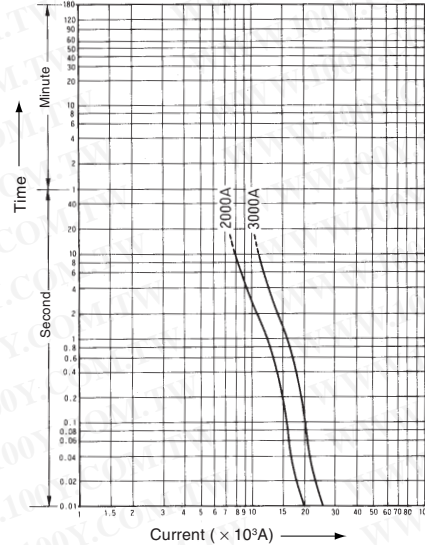


CS2F

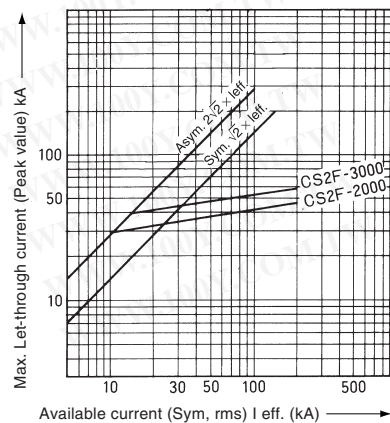
Melting time-current characteristic



Operating time-current characteristic



Current-limiting characteristic



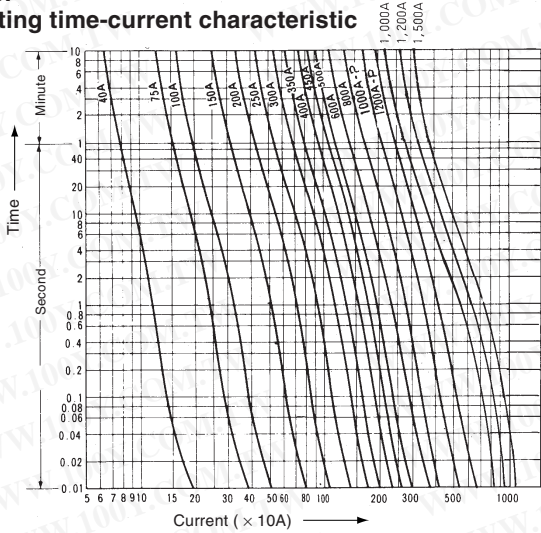
08

Low Voltage Fuses
 BLC, CR and CS types
 Super Rapid Fuses

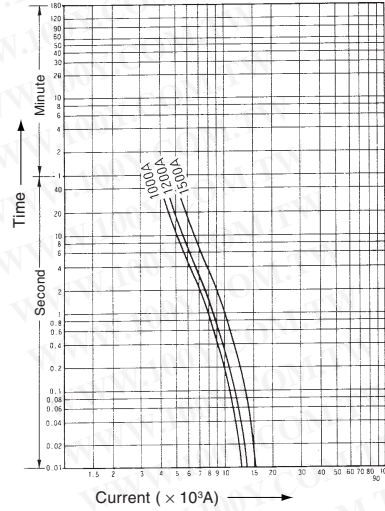
勝特力材料 886-3-5753170
 勝特力电子(上海) 86-21-54151736
 勝特力电子(深圳) 86-755-83298787
 Http://www.100y.com.tw

■ Characteristic curves

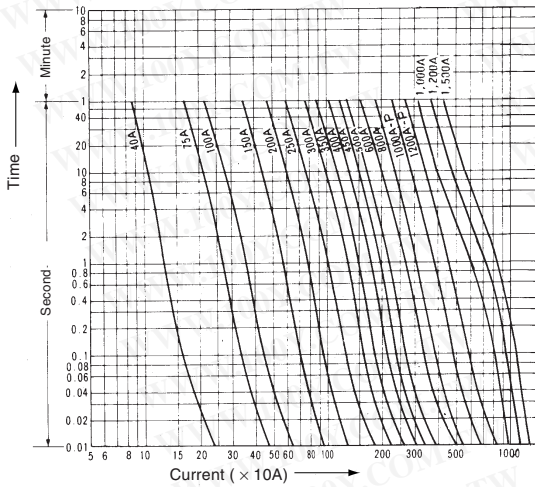
CS5F
 Melting time-current characteristic



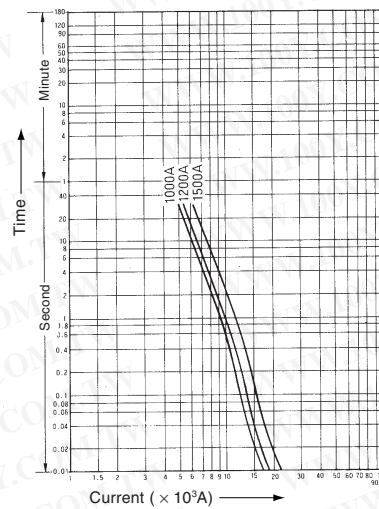
CS8F
 Melting time-current characteristic



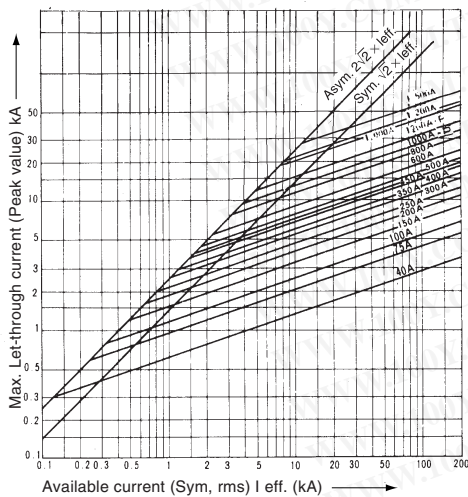
Operating time-current characteristic



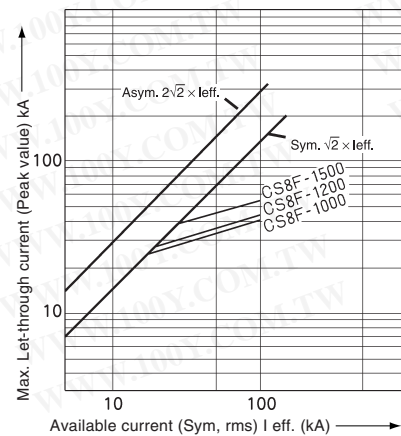
Operating time-current characteristic



Current-limiting characteristic



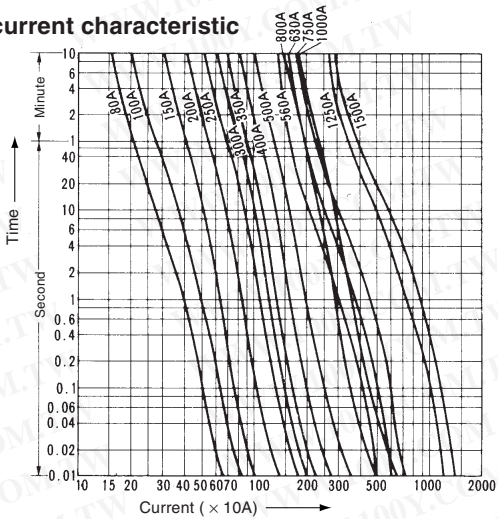
Current-limiting characteristic



■ Characteristic curves

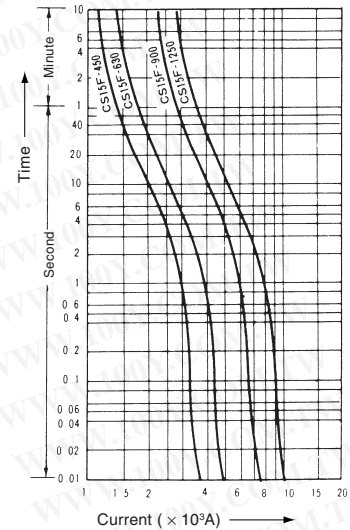
CS10F

Melting time-current characteristic

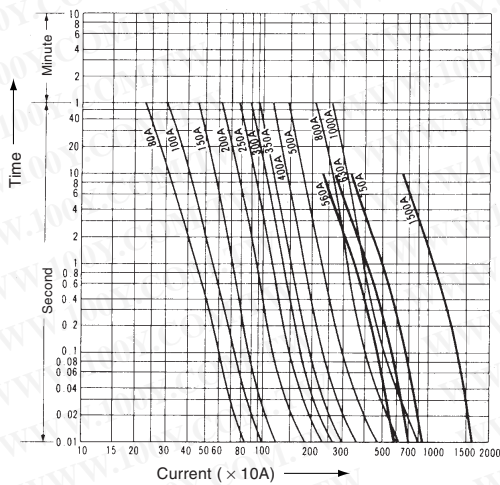


CS15F

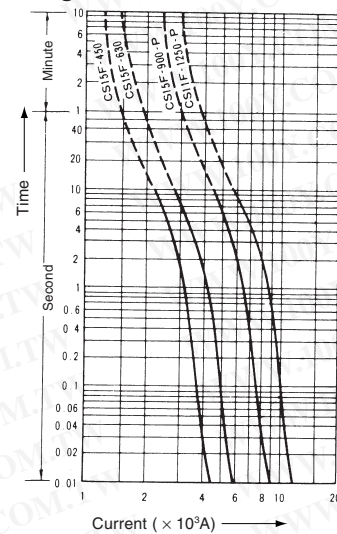
Melting time-current characteristic



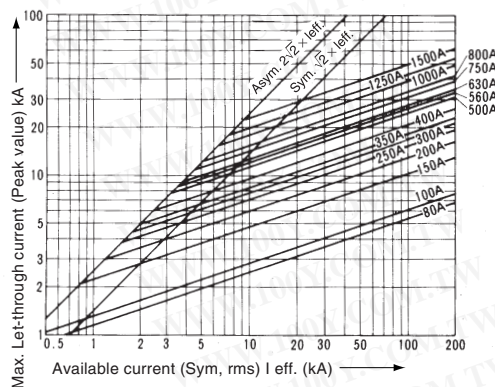
Operating time-current characteristic



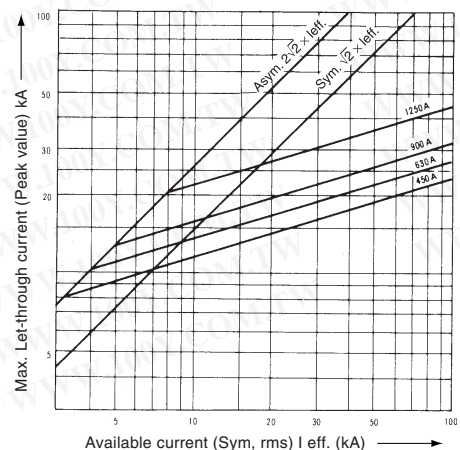
Operating time-current characteristic



Current-limiting characteristic



Current-limiting characteristic



Low Voltage Fuses BLC, CR and CS types Super Rapid Fuses

■ Operating indication

● Blown fuse indication

FUJI Super Rapid Fuses are available in BLC, CR and CS types. These types have different methods of indicating a blown fuse.

● BLC type

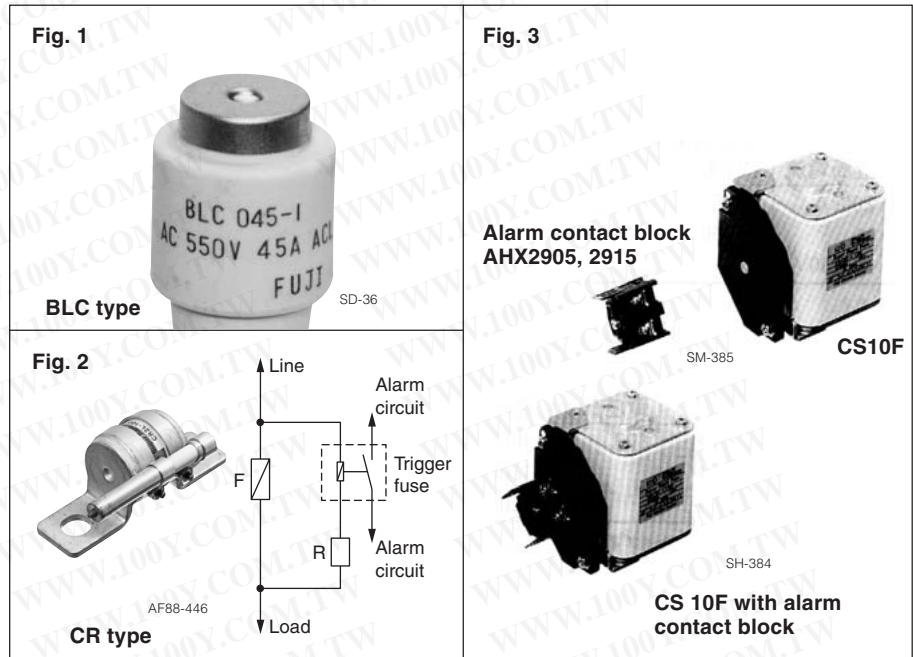
A blown fuse is indicated by the color tip on the ferrule of the fuse being ejected as shown in Fig. 1. This can be seen through the window of the fuse holder.

● CR type

This fuse does not have a blown indicator but if a trigger fuse is connected as shown in Fig. 2 this will provide the alarm for blown fuse.

● CS type

This fuse is provided with a blown fuse indicator. In this case a pin in the contact pad is ejected after the fuse has been blown. If electrical connections for lamps or alarms are required fit the contact block (1NO or 1NC) to the pad as shown in Fig. 3.



■ Alarm contact block ratings

Type	Contact	Rated voltage (V)	AC		DC			
			Inductive $\cos\phi=0.3-1$		Resistive load		Inductive load	
			Rated operational current (A)	Rated capacity (VA)	Rated operational current (A)	Rated capacity (W)	Rated operational current (A)	Rated capacity (W)
AHX2905	1NO	24	6	150	6	150	6	150
		110	6	660	2.5	275	1.3	140
		220	6	1320	1	220	0.45	100
AHX2915	1NC	440	2.5	1100	0.4	175	0.2	85
		550	2	1100	0.3	165	0.15	85

■ Fuse holder for BLC type fuse

FUJI BLC fuses require special holders. Select the most suitable one which corresponds to the rated current of the fuse.

Dimensions: See page 08/32.



SD-36

Fuse link
BLC



AF88-439

Fuse holder
Surface connection

Fuse link Type	Rated current (A)	Base		Screw cap Type	Adaptor ring Type
		Surface connection Type	Rear connection Type		
BLC012-1	12	AFa30	Ba30	Pa30	R20
BLC020-1	20	AFa30	Ba30	Pa30	-
BLC023-1	23	AFa30	Ba30	Pa30	-
BLC045-1	45	AFa60	Ba60	Pa60	-
BLC075-1	75	AFa100	Ba100	Pa100	R75
BLC090-1	90	AFa100	Ba100	Pa100	-
BLC120-1	120	AFa200	Ba200	Pa200	-
BLC140-1	140	AFa200	Ba200	Pa200	-

勝特力材料 886-3-5753170
 勝特力电子(上海) 86-21-54151736
 勝特力电子(深圳) 86-755-83298787
[Http://www.100y.com.tw](http://www.100y.com.tw)

■ **Application and selection guide BLC, CR and CS-type – Super rapid fuse**

When selecting fuses for semiconductor rectifier circuit protection the following conditions must be satisfied.
 For additional details contact FUJI.

■ **Conditions of application**

1. The rated interrupting current of the fuse must be greater than the estimated short circuit current of the circuit.

$$\text{Available short circuit current of rectifier circuit} < \text{Rated interrupting current of fuse}$$

2. The let-thru current value of fuse must be less than the allowable 1/2 cycle surge current value.

$$\text{Fuse let-thru current value} \leq \text{Semiconductor} - 1/2 \text{ cycle allowable surge current 10ms (at 50Hz)}$$

3. The total clearing I^2t value which the fuse requires to complete interruption must be less than the allowable I^2t value of semiconductor.

$$\text{Fuse} - \text{total clearing } I^2t \leq \text{Semiconductor} - I^2t$$

4. The rated current of the fuse must be greater than the average forward current of the semiconductor.

$$\text{Fuse} - \text{rated current} > \text{Semiconductor} - \text{average forward current}$$

5. The rated current and voltage of the fuse must be greater than those of the rectifier circuit.

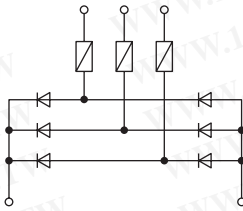
$$\text{Fuse} - \text{rated current and voltage} > \text{Rectifier circuit} - \text{current and voltage}$$

Method of application

Semiconductor rectifier equipment has a variety of rectifier circuits. Taking the 3-phase bridge rectifier circuit as an example – Fig. (a) and (b) as shown in the following.

Although the number of fuses used in the line fuse method (a) is half the number used in the element fuse method (b), the fuses must have a larger current capacity.

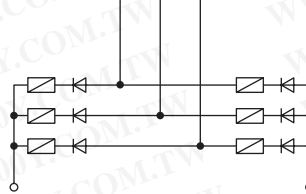
Fig. (a)



Line fuse method

In this method the fuses are connected to the AC line side.

Fig. (b)



Element fuse method

In this method the fuses are connected in series to the semiconductor element.

■ **Fuse ratings**

When selecting fuses various factors such as protection, coordination and load, etc. must be considered. However, in this catalog the main matters such as voltage, current and I^2t only are explained.

● **Rated voltage**

The rated voltage of the fuse indicates the maximum operational voltage and this also indicates the root-mean-square value of the AC sinusoidal wave voltage. Select fuses having a rated voltage exceeding the voltage obtained by the formula shown in the following table. (Fig. 1)

Do not select current-limiting fuses with rated voltages drastically exceeding the rectifier circuit voltage. It is necessary to consider the arc voltage.

Fig. 1 Rated voltage required by fuses

Wire connection type	Wiring diagram	Rated voltage of Fuse (V_{FN} rms)	
		For line fuse	For element fuse
Single-phase bridge		$V_{FN} \geq a \cdot E_a$	$V_{FN} \geq a \cdot E_a$
3-phase bridge		$V_{FN} \geq a \cdot E_a$	$V_{FN} \geq a \cdot E_a$
3-phase, double star		$V_{FN} \geq a \cdot \sqrt{3} \cdot E_a$	$V_{FN} \geq a \cdot \sqrt{3} \cdot E_a$

Remarks: The 'a' is a coefficient where the regulation of the AC input voltage is taken into account. This is $a=1.1$ in case of voltage regulation $\pm 10\%$.

Fig. 2 Element current and line current

Wire connection type	Wiring diagram	Element fuse method	Line fuse method
		Element current I_a	Line current I_l
Single-phase bridge		$I_a = \frac{I_d}{\sqrt{2}} = 0.707d$	$I_l = d$
3-phase bridge		$I_a = \frac{I_d}{\sqrt{3}} = 0.577d$	$I_l = \sqrt{\frac{2}{3}} I_d = 0.816d$
3-phase, double star		$I_l = I_a = \frac{I_d}{2\sqrt{3}} = 0.289d$	

Low Voltage Fuses BLC, CR and CS types Super Rapid Fuses

• Rated current

The current values in fuses in the line fuse system and the element fuse system are different. Obtain the correct current value from the table on page 08/48 (Fig. 2).

When selecting the rated current of a fuse choose a fuse having an amperage rating greater than the current which flows in the semiconductor if the load is continuous and a fixed current.

If the current which flows in the semiconductor is greater than the rated current of the fuse connect the fuses in parallel. However, in this case, if the numbers of fuses arranged in parallel are 'n', then the I²t value of the fuse will be n².I²t and n² times the I²t value of one fuse. This should be taken into consideration when protective coordination is taken into account.

In the case of the circuit where the load rapidly varies the fuse element will suffer from mechanical deterioration and be damaged by thermal stress. In loads of this type the deterioration characteristics of the fuse must be closely considered.

Moreover if the fuse current – time characteristics of the fuse selected is less than the overload characteristics of the semiconductor element then complete protection can be obtained. However, if the semiconductor element has a large capacity then protective cooperation is very difficult to arrange. The fuses are used to isolate the shorted semiconductor element circuit from sound operating circuits.

■ Total clearing I²t

The total clearing I²t of fuse is a very important factor when considering the protective coordination of the semiconductor. This total clearing I²t is the value where the arcing I²t is added to the melting I²t. Therefore it is necessary to satisfy the following formula.

$$\text{Fuse - total clearing I}^2\text{t} \geq \text{Semiconductor I}^2\text{t}$$

The total clearing I²t of fuse depends upon the operational voltage and interrupting current.

Therefore, for this reason if a 500 Volts fuse is used in a 300 Volts circuit the total clearing I²t is reduced by 50–70%. However, the reduction rate varies according to the type of fuse construction. This must be checked and confirmed once more.

Example

I²t

All I²t values are ampere² seconds.

The I²t data for silicon diodes or thyristor elements are normally given in their respective catalogs. If the A²S data is not given in their catalog obtain the value in the following manner. If protection is needed for a 250V, 150A (I_o) diode having a maximum allowable peak half sine wave current of 2700A, it is important that the fuse has a total I²t value lower than that of the diode.

Calculation

$$\begin{aligned} \text{Maximum I}^2\text{t diode} &= \left(\frac{1 \text{ Peak}}{2}\right)^2 \cdot 0.0167 \\ &= \left(\frac{2700}{2}\right)^2 \cdot 0.0167 \\ &= 30,400\text{A}^2 \text{ Sec.} \end{aligned}$$

From the table (Page 08/38), the fuse with a total I²t nearest to 30,400A² Sec. is the 260 Ampere fuse (CR 2L-260).

■ Interrupting current

The rated interrupting current of the fuse must exceed the maximum value (Symmetrical RMS value) of the estimated circuit fault current.

■ Peak arc voltage

In the case of the current-limiting fuse an arc voltage (overvoltage) is generated at the time of interruption due to its fusible element construction. It is necessary to check that this peak arc voltage does not exceed the semiconductor's maximum (Non-repetitive peak) reverse voltage value.

■ Current limitation

Select a fuse whose let-thru current value does not exceed the allowable 1/2 cycle surge current of the semiconductor. The allowable surge current is the peak value of the current which in case at 50Hz is allowed to flow for 10ms. In the current-limiting fuse the fault must be cleared in the shortest possible time or in the first 1/2 cycle.

Available current is the current which would flow if the fuse were not current-limiting.

This would cause damage to equipment. Let-thru current is the actual current allowed to flow by the current limiting action of the fuse. A number of let-thru current graphs are given in this catalog and example is given in the following paragraph. The method of reading this graph is provided for your reference.

How to find a let-thru current

– Example

Fuse: 200 Amps 500V

Available R.M.S symmetrical current:

100,000 Amps

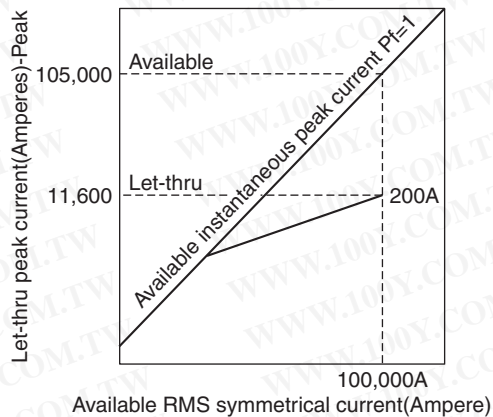
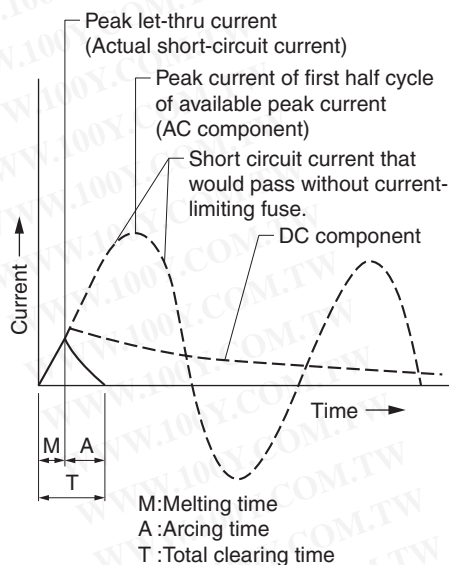
Let-thru peak current (Instantaneous):

11,600 Amps

Let-thru R.M.S. current

11,600 ÷ 1.7 = 6,800 Amps

This example clearly shows that while a 100kA (rms, sym) current is available, the fuse limits the current let-thru to 6,800 Amperes (rms, sym).



勝特力材料 886-3-5753170
勝特力电子(上海) 86-21-54151736
勝特力电子(深圳) 86-755-83298787
[Http://www.100y.com.tw](http://www.100y.com.tw)