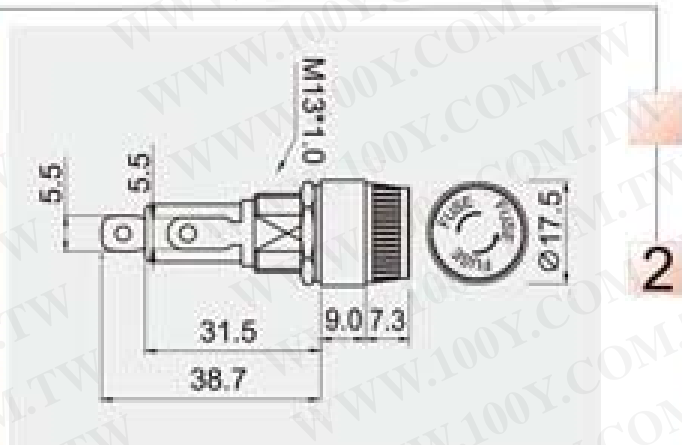


R3-14A

勝特力材料 886-3-5753170
 勝特力电子(上海) 86-21-54151736
 勝特力电子(深圳) 86-755-83298787
[Http://www.100y.com.tw](http://www.100y.com.tw)



2

(5.5mm)0.230"
 Solder

0.5~6.5mm

FEATURES:

- Material:
 Frame and cap: phenolic(UL flame: 94V-1).
 Terminal: nickel plated brass, for R3-14A.
 Terminal: tin plated copper, for R3-14A2.
- Mounted by nut.

CAP	FUSE 	RATING
Bayonet type	\varnothing 6.0*30mm \varnothing 6.35*31.8mm	10A 250V AC
Bayonet type	\varnothing 6.0*30mm \varnothing 6.35*31.8mm	30A 250V AC

CUT-OUT

