

QAS, QAL, QFS, QFL Quick-Action Fuses

AIRPAX



Applications: Typical applications include inverters, arc welders, rectifiers, CNC equipment, battery circuits, and other protective applications.

Features:

- L-type terminal construction for easy installation
- RU, cRUus, and TÜV approved products available
- Large breaking capacity (100kA)
- Low I²t value, semiconductor protection balance can be easily obtained
- Compact and lightweight
- Resistant to repetitive currents
- Excellent current-limiting characteristics
- Low power loss

Specifications:

- Rated voltage: 250-600V_{AC}; 300-500V_{DC}
- Rated current: 10A-300A
- Breaking capacity: 100kA at 250V_{AC} and 600 V_{AC}; 10kA at 300 V_{DC} and 500 V_{DC}
- Power loss: 1W-43W
- Connecting bar: 0.016-0.310in² (10-200mm²)
- I²t (A²S)X10³: Pre-arcing = .009-14; Operating at 250V_{AC} = .04-102; Operating at 600V_{AC} = .6-175
- Approvals:



Overcurrent Protection for Semiconductor Elements and Cables

The QAS, QAL, QFS, QFL product lines feature L-type terminals and carry a rated voltage of up to 600 VAC and 500 VDC, 300A max, 100K AIC. They feature a high current-limiting effect and superior quick-action fusing performance, excellent arc-suppressing performance, and reliable breaking action. Because of their low power loss, they save energy and also feature low surge voltage at the breaking point. Superior non-degradation characteristics make it ideal for motors subject to extreme load variations.

AIRPAX
www.airpax.net

勝特力材料 886-3-5753170
勝特力电子(上海) 86-21-34970699
勝特力电子(深圳) 86-755-83298787
Http://www.100y.com.tw

Options				
	Model	Rated Current (A)	Rated Voltage (V)	Breaking Capacity (VAC / VDC)
RU	QAS25U-□	20 to 100	250VAC / 300VDC	10kA / 10kA
	QAL25U-□	75 to 300	250VAC / 300VDC	10kA / 10kA
	QAS60U-□	20 to 75	600VAC / 500VDC	100kA / 10kA
	QAL60U-□	100 to 300	600VAC / 500VDC	100kA / 10kA
cRUus △	QFS25U-□	10 to 100	250VAC (cRUus, TÜV) 400VDC (cRUus)	10kA / 10kA
	QFL25U-□	75 to 300	250VAC (cRUus, TÜV) 400VDC (cRUus)	10kA / 10kA
Indicator Fuse	Increase uptime by pinpointing open fuses with this instant visual identification.			
Microswitch with Housing	Couple the indicator fuse with a microswitch to create an integrated system which provides a signal to a panel or CPU to inform a technician about which fuse is blown.			
Fuse Holder	Increase mounting options by incorporating a fuse holder into your system. (Available for QFS25 & QAS25 only)			

*RU, UL Recognized Component:
UL file # E174284 (250VAC/300VDC, 600VAC/500VDC)

*cRUus, UL Recognized Component, U.S.A. & Canada:
UL file # E174284 (250VAC/400VDC)

*TÜV Approved:
TÜV file # J2150262, J2150268, J2150270, J2150271 (250VAC)

*These approvals are options available in this product family, general products do not carry these approvals. Review the Airpax catalog and website for further information on part numbers and product specifications for these approvals.

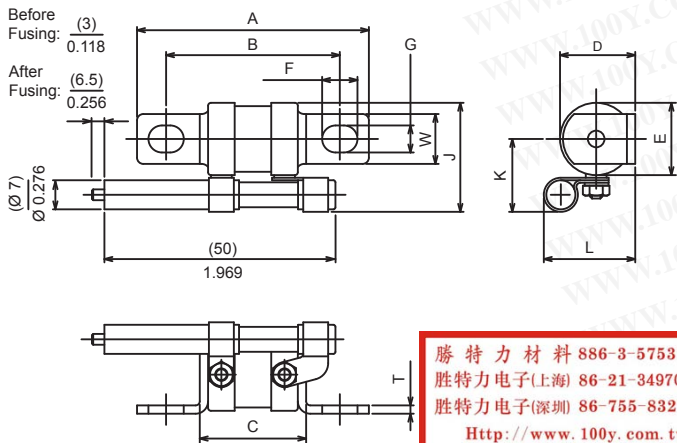
Ratings & Specifications

Model *5	Rated Voltage	Rated Current (A)	Breaking Capacity *1	Power Loss *6			I ² t(A ² s)x10 ³ *2,7	
				(W)	Connecting Bar		Pre-Arcing	Operating at V _{AC} *3,4,8
					in ²	mm ²		
QAS25-20 (S)	250 V _{AC} 300 V _{DC}	20	10kA at 250V _{AC} (RU)	2.0	0.019	12	0.03	0.82 *3
QAS25-30 (S)		30		3.0	0.019	12	0.054	1.5
QAS25-50 (S)		50		5.0	0.037	24	0.17	2.9
QAS25-75 (S)		75	7.0	0.050	32	0.49	5.92	
QAS25-100 (S)		100	10.0	0.070	45	0.87	9.8	
QAL25-75 (S)		75	8.0	0.050	32	0.49	5.9	
QAL25-100 (S)		100	10.0	0.070	45	0.87	9.8	
QAL25-150 (S)		150	15.0	0.116	75	1.9	19.0	
QAL25-200 (S)		200	20.0	0.248	160	3.5	35.0	
QAL25-300 (S)		300	30.0	0.310	200	8.9	102.0	
QAS60-20 (S)	600 V _{AC} 500 V _{DC}	20	10kA at 600V _{AC} (RU)	3.0	0.019	12	0.030	0.6 *4
QAS60-30 (S)		30		5.0	0.019	12	0.054	1.2
QAS60-50 (S)		50		10.0	0.037	24	0.17	2.8
QAS60-75 (S)		75	17.0	0.050	32	0.47	6.0	
QAL60-100 (S)		100	20.0	0.050	32	0.87	14.0	
QAL60-150 (S)		150	26.0	0.155	100	2.3	38.0	
QAL60-200 (S)		200	32.0	0.248	160	4.4	84.0	
QAL60-250 (S)		250	38.0	0.310	200	7.9	135.0	
QAL60-300 (S)		300	43.0	0.310	200	14.0	175.0	
QFS25-10 (S)		250 V _{AC} 400 V _{DC}	10	10kA at 250V _{AC} (cRUUs) (TUV)	1.0	0.016	10	0.009
QFS25-20 (S)	20		2.1		0.022	14.4	0.035	0.17
QFS25-30 (S)	30		3.8		0.040	26	0.055	0.35
QFS25-50 (S)	50		5.9	0.070	45	0.18	0.85	
QFS25-75 (S)	75		8.0	0.093	60	0.49	2.3	
QFS25-100 (S)	100		11.6	0.124	80	0.88	4.0	
QFL25-75 (S)	75		7.7	0.093	60	0.49	2.3	
QFL25-100 (S)	100		10.6	0.124	80	0.88	4.0	
QFL25-150 (S)	150		17.6	0.194	125	1.98	9.5	
QFL25-200 (S)	200		22.5	0.310	200	3.51	17.0	
QFL25-300 (S)	300	35.4	0.465	300	8.99	38.0		

External Dimensions

Model	External dimensions: in (mm)												Weight: oz (gram)	Mounting Hole, Bolt Size Limit
	A	B	C	D	E	F	G	T	W	J	K	L		
QFS25-10 (S)	2.205 (56)	1.654 (42)	1.024 (26)	0.728 (18.5)	0.689 (17.5)	0.335 (8.5)	0.256 (6.5)	0.079 (2)	0.472 (12)	1.024 (26)	0.689 (17.5)	0.866 (22)	1.058 (30)	≤ 1/4 - 20 (≤ M6)
QAS25-20 (S)														
QFS25-20 (S)														
QAS25-30 (S)														
QFS25-30 (S)														
QAS25-50 (S)														
QFS25-50 (S)														
QAS25-75 (S)														
QFS25-75 (S)														
QAS25-100 (S)														
QFS25-100 (S)														
QAL25-75 (S)	3.150 (80)	2.283 (58)	1.142 (29)	1.220 (31)	1.063 (27)	0.433 (11)	0.354 (9)	0.118 (3)	0.787 (20)	1.378 (35)	0.846 (21.5)	1.181 (30)	3.527 (100)	≤ 5/16 - 18 (≤ M9)
QAL25-100 (S)														
QFL25-100 (S)														
QAL25-150 (S)														
QFL25-150 (S)														
QAL25-200 (S)														
QFL25-200 (S)														
QAL25-300 (S)														
QFL25-300 (S)														
QAS60-20 (S)														
QAS60-30 (S)														
QAS60-75 (S)														
QAS60-100 (S)	3.661 (93)	2.795 (71)	1.654 (42)	1.240 (31.5)	1.063 (27)	0.433 (11)	0.354 (9)	0.118 (3)	0.787 (20)	1.378 (35)	0.846 (21.5)	1.181 (30)	4.056 (115)	≤ 5/16 - 18 (≤ M9)
QAS60-150 (S)														
QAS60-200 (S)	3.898 (99)	2.913 (74)	1.693 (43)	1.594 (40.5)	1.457 (37)	0.512 (13)	0.433 (11)	0.118 (3)	1.181 (30)	1.771 (45)	1.043 (26.5)	1.358 (34.5)	7.760 (220)	≤ 7/16 - 14 (≤ M11)
QAS60-250 (S)														
QAS60-300 (S)														
QAL25-300 (S)														

- *1. Time constant is 4ms max.
 - *2. Calculated value.
 - *3. Actual measured value at conventional current of 250VAC at 100kA (r.m.s.) and short-circuit power factor of 14%.
 - *4. Indicates actual measured value at conventional current of 600VAC at 100kA (r.m.s.) and short-circuit power factor of 7%.
 - *5. QAS / QAL / QFS / QFL - Specifications of the indicator fuse are the same.
 - *6. Max value at rated current.
 - *7. Radiation is not considered in this calculated value.
 - *8. Max value at conventional current of 250VAC at 100kA (r.m.s.) and short-circuit power factor of 16%.
- (S) : Indicator fuse option available, place an S at the end of the PN. Example QAS60-300 becomes QAS60-300S
- Outline drawings show fuse with indicator fuse specifications
- ***Review the Airpac full catalog and website for further info on PN's and options available



勝特力材料 886-3-5753170
勝特力电子(上海) 86-21-34970699
勝特力电子(深圳) 86-755-83298787
Http://www.100y.com.tw

1 First Decision	
Model	
QAS25	General Product (no approvals)
QAL25	
QAS60	
QAL60	
QFS25	
QFL25	RU
QAS25U	
QAL25U	
QAS60U	
QAL60U	C RU US
QFS25U	
QFL25U	
QFS25U-□-T	
QFL25U-□-T	C RU US

QAS25 - □ - □

2 Second Decision
Rated current (A)

Input a value from 10 to 300
Use reference table "Ratings & Specifications"

3 Third Decision	
Accessories	
No entry	Fuse unit only
S	Equipped with fusing indicator fuse
S-M1	Equipped with fusing indicator fuse and microswitch with housing (silver contacts, solder-on terminals)***
S-M2	Equipped with fusing indicator fuse and microswitch with housing (gold contacts, quick-connect #110 terminals)
S-M3	Equipped with fusing indicator fuse and smaller microswitch with housing (silver contacts, solder-on terminals)***
S-M4	Equipped with fusing indicator fuse and smaller microswitch with housing (gold contacts, solder-on terminals)***
T	cRUUs, TÜV approved product, available only on QFS25U and QFL25U. No indicator fuse or microswitch options.