

1SS106

SMALL SIGNAL SCHOTTKY DIODES

勝特力材料 886-3-5753170
 勝特力电子(上海) 86-21-54151736
 勝特力电子(深圳) 86-755-83298787
[Http://www.100y.com.tw](http://www.100y.com.tw)

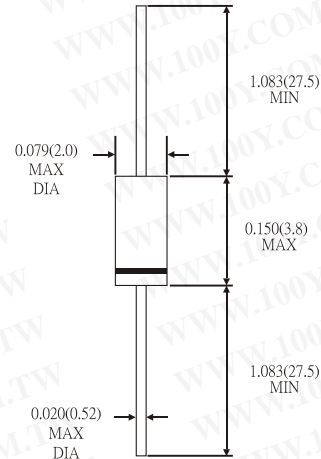
FEATURES

- Detection efficiency is very good
- Small temperature coefficient
- High reliability with glass seal
- For use in RECORDER | TV | RADIO | TELEPHONE
 as detectors, super high speed switching circuits,
 small current rectifier

MECHANICAL DATA

- Case : DO-35 glass case
- Polarity: color band denotes cathode end
- Weight : Approx. 0.13 gram

DO-35



Dimensions in inches and (millimeters)

ABSOLUTE RATINGS(LIMITING VALUES)

($T_A = 25^\circ\text{C}$)

	Symbols	Value	Units
Reverse voltage	V_R	10	V
Average rectified current	I_o	30	mA
Junction temperature	T_J	125	$^\circ\text{C}$
Storage temperature	T_{STG}	-55 to +125	$^\circ\text{C}$

ELECTRICAL CHARACTERISTICS

($T_A = 25^\circ\text{C}$)

Parameters	Symbol	Test Conditions	Min.	Typ.	Max.	Units
Forward Current	I_F	$V_F = 1\text{V}$	4.5			mA
Reverse Current	I_R	$V_R = 6\text{V}$			70	μA
Junction Capacitance	C_J	$V_R = 1\text{V}$ $f = 1\text{MHz}$			1.5	pF
Rectifier efficiency	η	$V_m = 2V_{rms}$ $f = 40\text{MHz}$ $R_L = 5k\Omega$ $C_L = 20\text{pF}$	70			%
ESD-Capability		$C = 200\text{pF}$ (Note 1) Both forward and reverse direction 1 pulse	100			V

Note: 1.Failure criterion: $I_R \geq 40\mu\text{A}$ at $V_R = 6\text{V}$

RATINGS AND CHARACTERISTICS CURVES 1SS106

勝特力材料 886-3-5753170
 勝特力电子(上海) 86-21-54151736
 勝特力电子(深圳) 86-755-83298787
[Http://www.100y.com.tw](http://www.100y.com.tw)

Figure 1. forward Characteristics

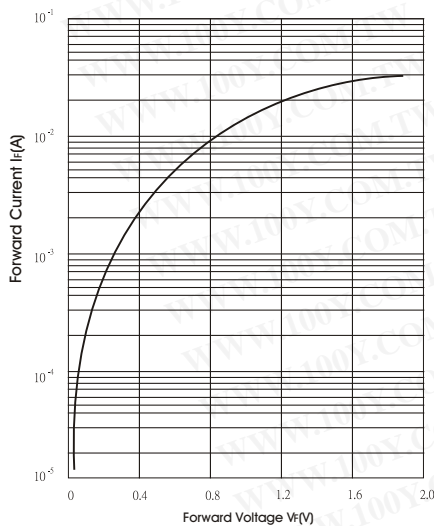


Figure 2. Reverse Characteristics

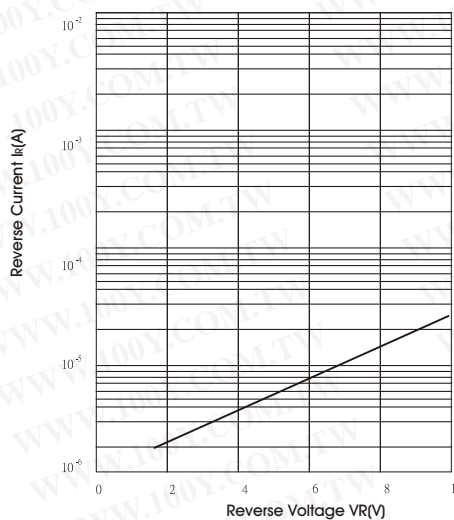


Figure 3. Junction Capacitance

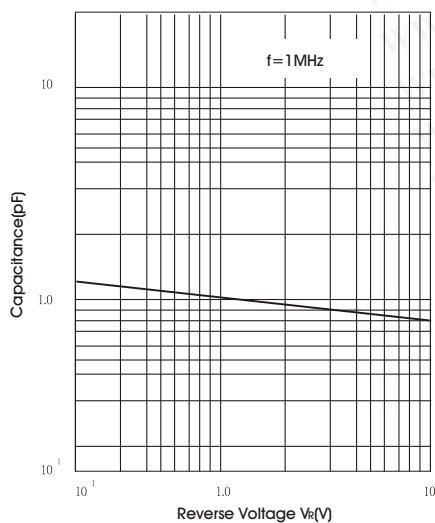


Figure 4. Rectifier Efficiency

