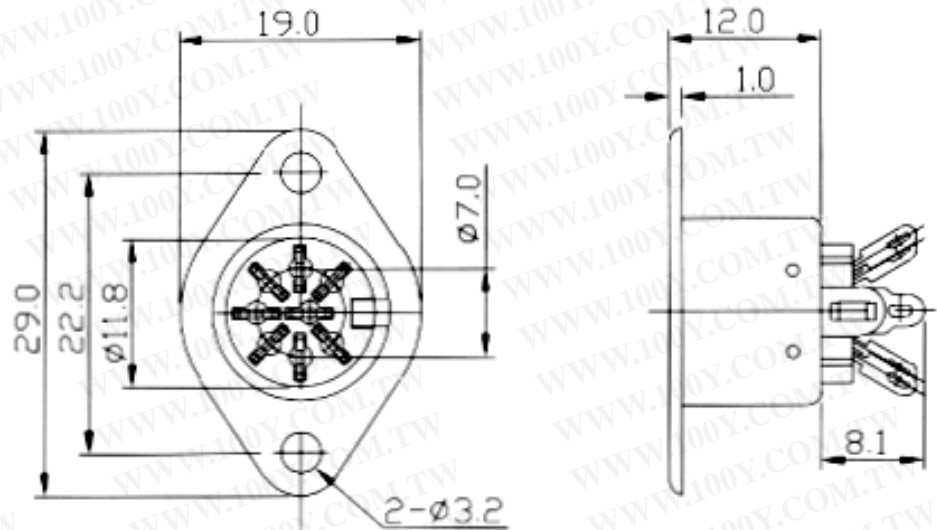


PANNEL MOUNTING CIRCULAR DIN JACK



Dimension (m/m)



Circuit	4P	5P	6P	7P	8P
Arrangement of Contact					

Material

- 1. Insulator : Thermoplastic PBT
Black, UL94V-0
- 2. Contact : Phosphor bronze
- 3. Metal Shell : Copper alloy

Specification

- 1. Rating : 100VAC 1A max.
12VDC 2A max.
- 2. Dielectric withstanding : 500VAC, 60HZ for 1 minute
- 3. Insulation resistance (initial) : 100MΩ (min.) at 500V DC
- 4. Contact resistance (initial) : 30mΩ max. at AC100mA(max) 1KHz
- 5. Insertion & Extraction force
Initial : 4.5kg max
Extraction force : 0.9 to 3.0kgs

勝特力材料 886-3-5753170
 勝特力电子(上海) 86-21-54151736
 勝特力电子(深圳) 86-755-83298787
[Http://www.100y.com.tw](http://www.100y.com.tw)

- ① : Series No.
- ② : Type
S : Receptacle
- ③ : Contact No.
4 ~ 8
- ④ : Shell plating ("N" is standard)
N : Nickel plated
T : Tin plated
G : Gold flash
- ⑤ : Terminal plating ("S" is standard)
S : Silver plated
T : Tin plated
G : Gold flash
- ⑥ : Special option
00000 : No special option