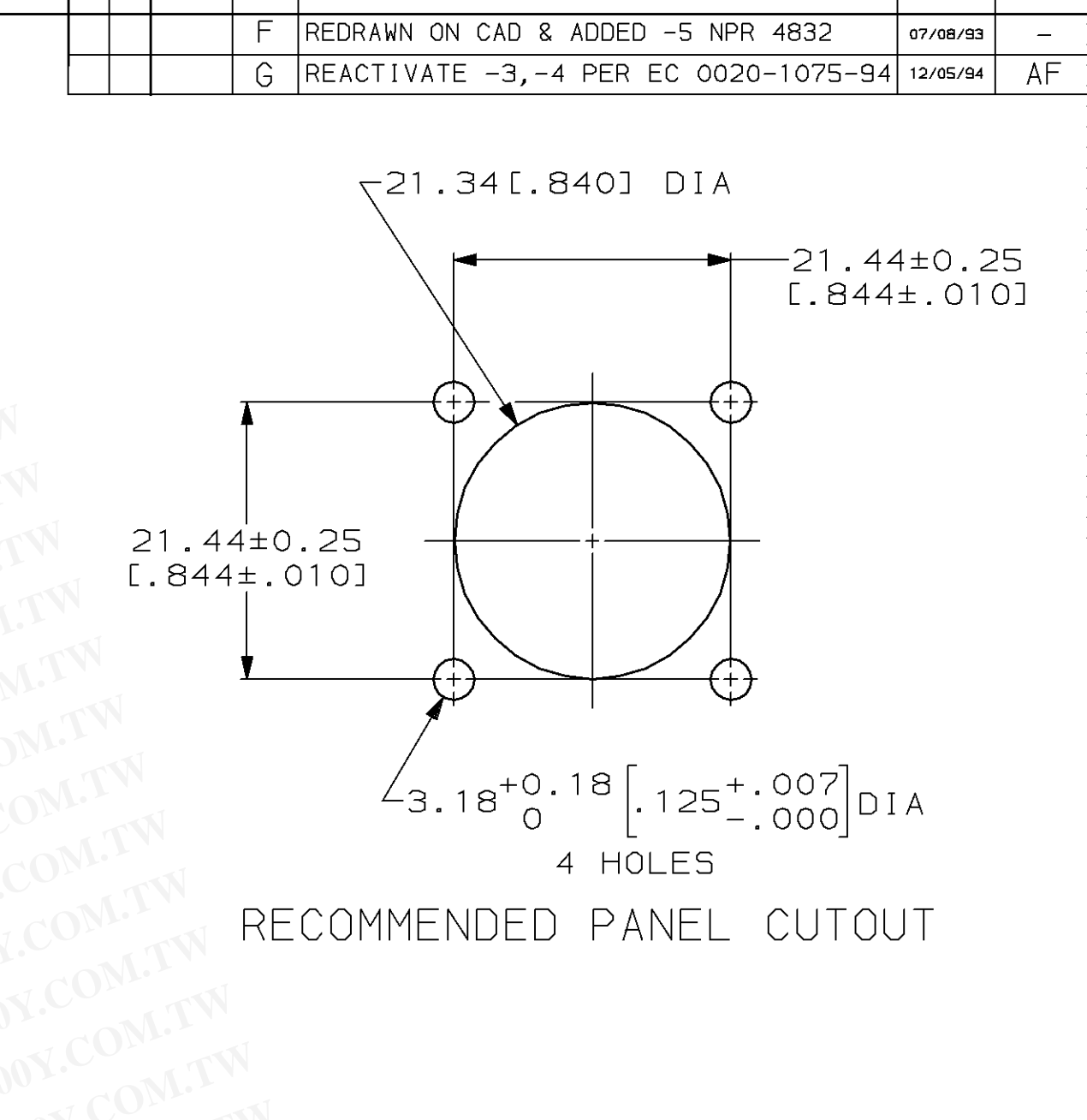
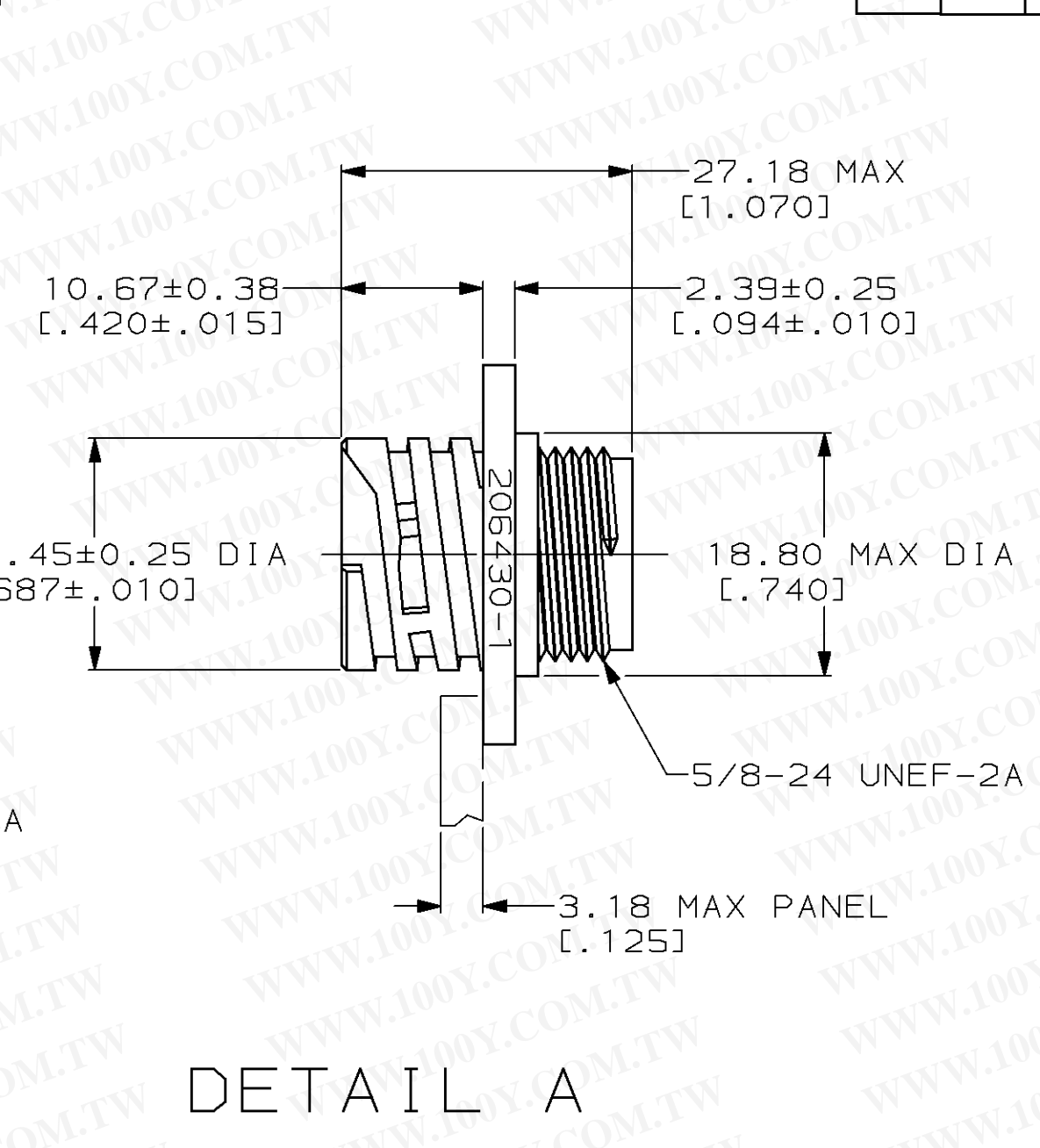
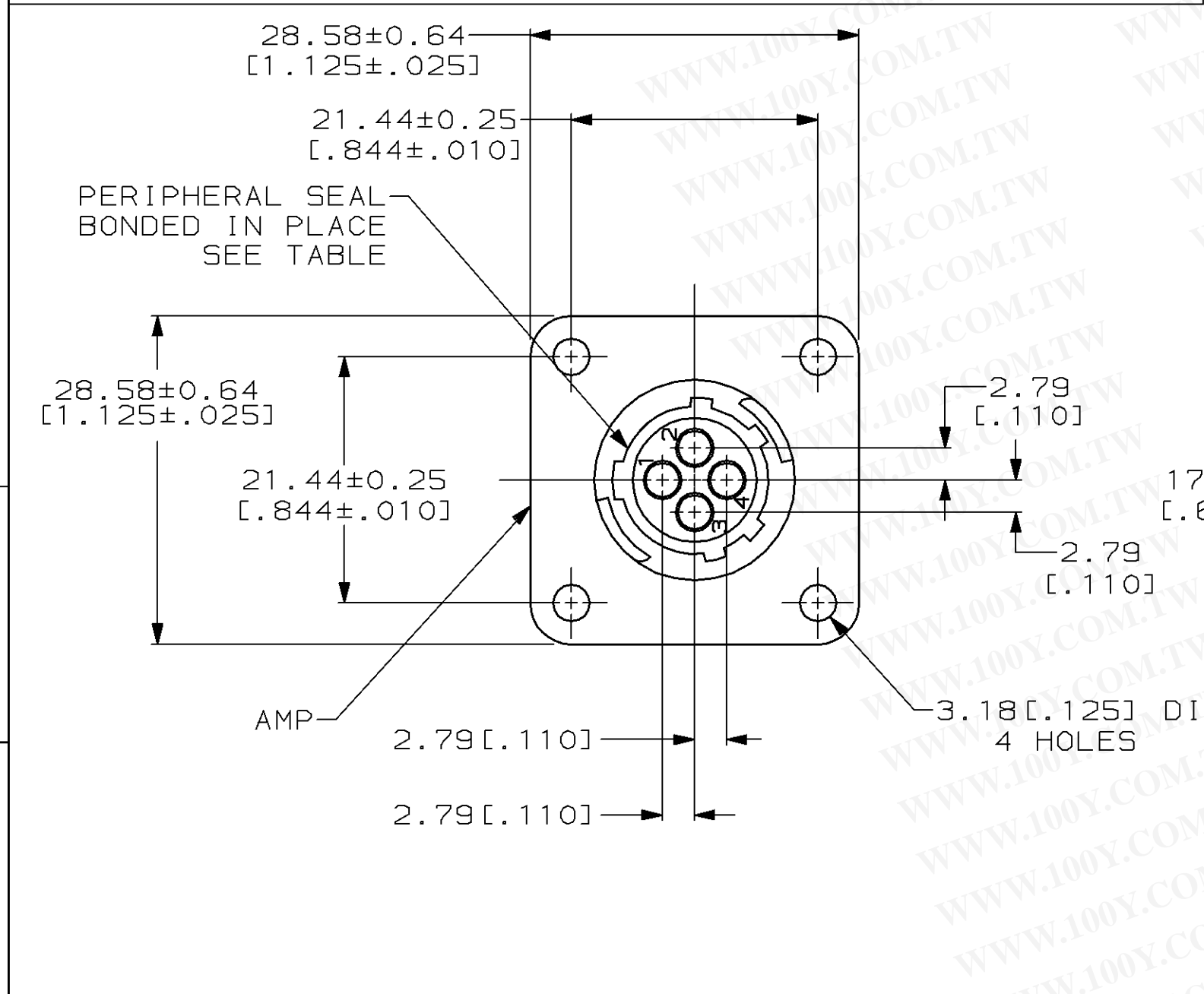
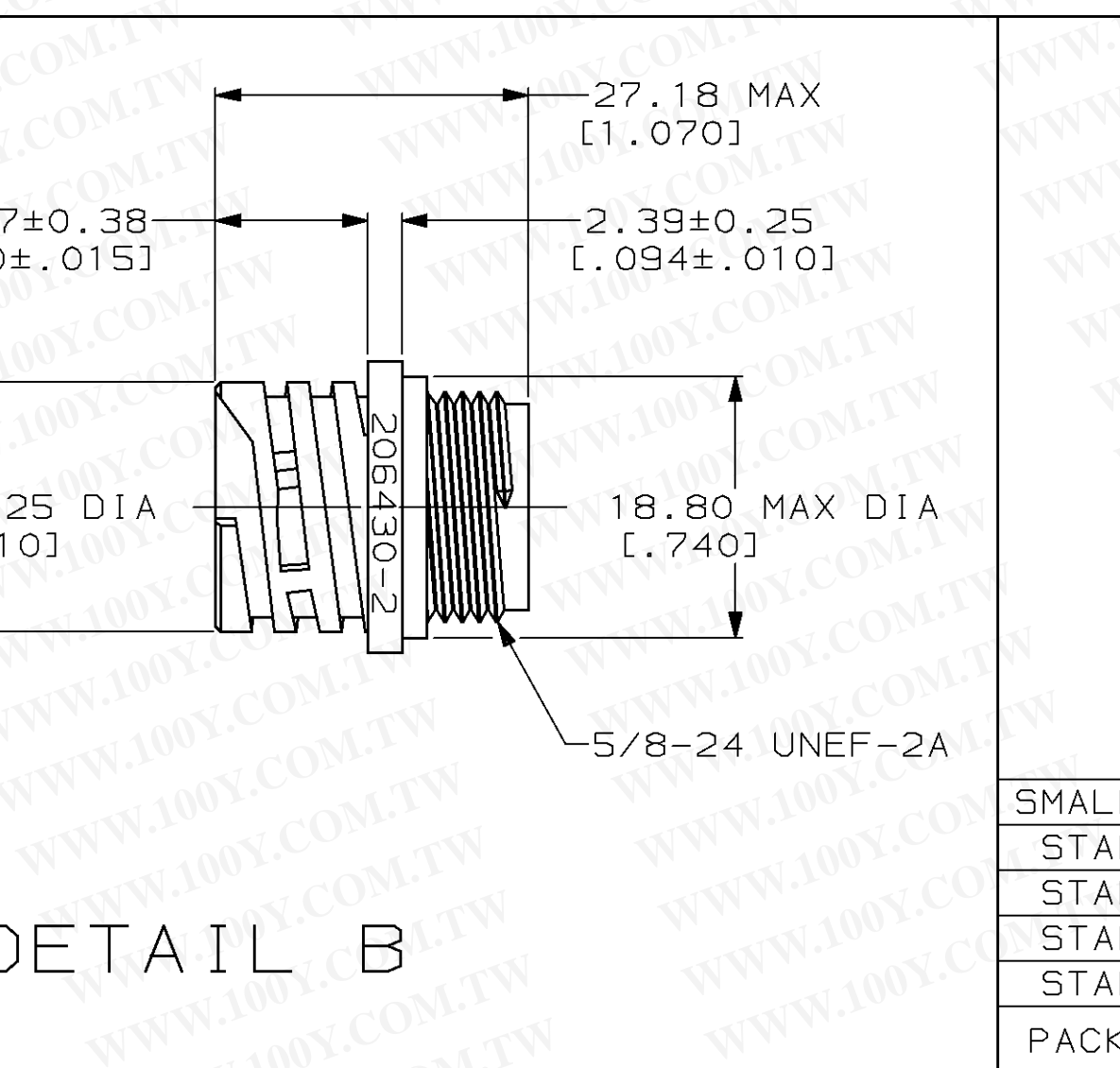
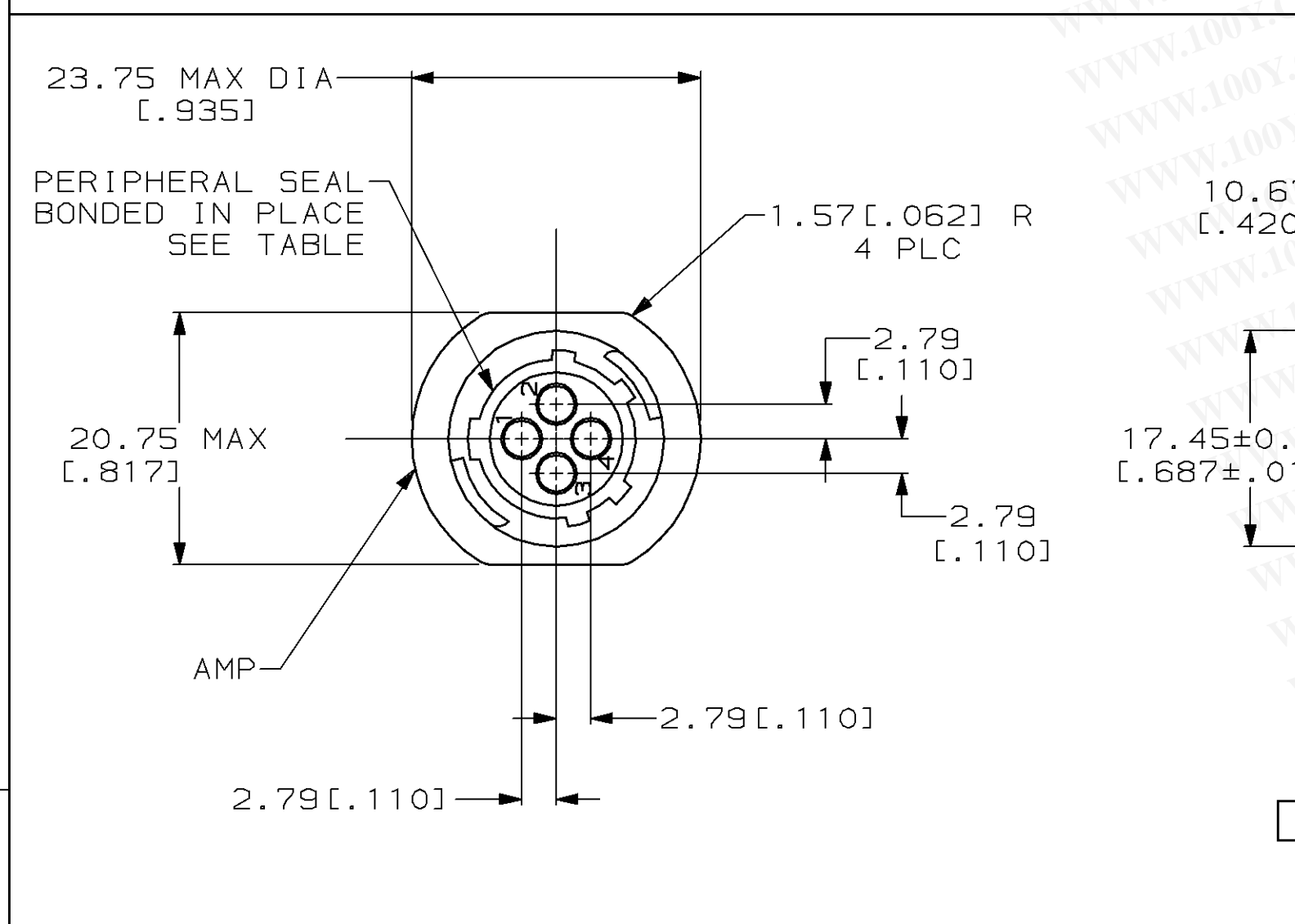


MOD	LOC	DIST	P	F	ZONE	LTR	DESCRIPTION	DATE	APPD
4	BD	35				F	REDRAWN ON CAD & ADDED -5 NPR 4832	07/08/93	-
						G	REACTIVATE -3,-4 PER EC 0020-1075-94	12/05/94	AF



DETAIL A



DETAIL B

勝特力材料 886-3-5753170
 勝特力电子(上海) 86-21-54151736
 勝特力电子(深圳) 86-755-83298787
[Http://www.100y.com.tw](http://www.100y.com.tw)

SMALL PACK	NO	A	206430-5
STANDARD	YES	B	206430-4
STANDARD	YES	A	206430-3
STANDARD	NO	B	206430-2
STANDARD	NO	A	206430-1
PACKAGING	PERIPHERAL SEAL	SEE DETAIL	PART NO

1. CAVITY IDENTIFICATION ON FRONT AND REAR FACE.
 2. WILL ACCEPT FOUR (4) MULTIMATE SOCKET CONTACTS.

DO NOT SCALE PRINT. UNLESS SPECIFIED DIMENSIONS IN mm [INCHES] TOLERANCES ON:
 2 PLC DEC ± 0.13 [.005]
 3 PLC DEC ± -
 ANGLES ± -
 MATERIAL
 NYLON, BLACK
 FINISH
 -

DR 09/09/92 W.LENKER	AMP Incorporated Harrisburg, PA 17105-3608
CHK 08/11/93 R.STONE	
APPD 08/13/93 A.FRANTUM	NAME
APPD 08/13/93 A.FRANTUM	RECEPTACLE HOUSING, REVERSE SEX, SHELL SIZE 11, CPC
PRODUCT SPEC 108-10024	SIZE
APPLICATION SPEC	CAGE CODE 00779
WEIGHT -	DRAWING NO G=206430
	SCALE 2:1
	SHEET 1 OF 1

THIS DRAWING IS A CONTROLLED DOCUMENT FOR AMP INCORPORATED. IT IS SUBJECT TO CHANGE AND THE CONTROLLING ENGINEERING ORGANIZATION SHOULD BE CONTACTED FOR THE LATEST REVISION.

Searchable Features:

Brand:	AMP
Product Type:	Connector
No. of Positions:	4
Gender:	Receptacle
Used With:	Socket Contacts
Preloaded:	No
Terminate To:	Wire
Shell Size:	11
Shell Type:	All Plastic
Shell Thread Size:	5/8 - 24 UNEF-2A
Product Series:	Series 1
Reverse Numbering:	No
Mount Style:	Mounting Holes
Sealed:	No
VDE Tested:	No
Standard or Reverse Gender:	Reverse

Other Properties:

Wire Insulation Diameter (mm [in]):	2.54 [0.100]
Panel Attachment Method:	Square Flange
Housing Material:	Thermoplastic
Housing Color:	Black
Housing Material Flammability Rating:	UL 94V-0
Keying:	A

勝特力材料 886-3-5753170
勝特力电子(上海) 86-21-54151736
勝特力电子(深圳) 86-755-83298787
[Http://www.100y.com.tw](http://www.100y.com.tw)