
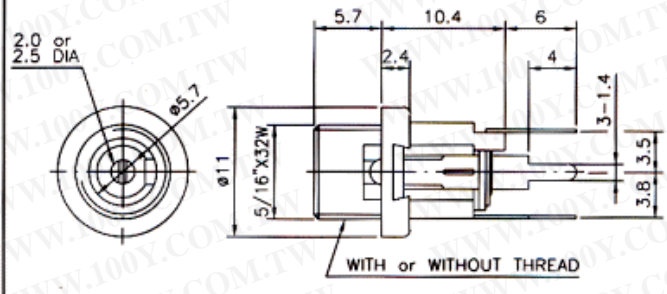
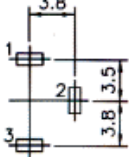
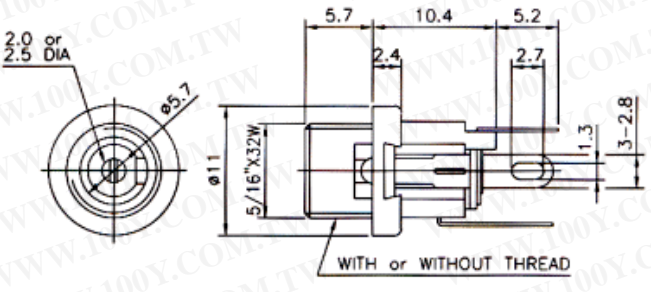
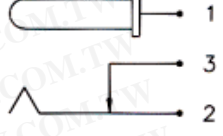
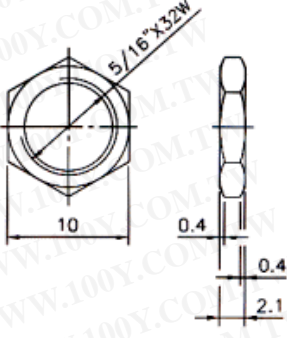
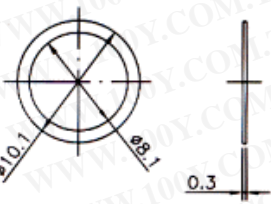


DC POWER JACK (CENTER PIN: $\varnothing 2.0/\varnothing 2.5$)

	Dimension (m/m)		Pin Hole Layout (Jack Bottom View)
			
			
Schematic Normal Close		Matching Nut & Washer for SCD454***003000 & SCD554***003000	
			
C		Nut	Washer

Construction

1. Housing : Thermoplastic
2. Center pin : Nickel plating
3. Terminal : Brass / Copper alloy

Specification

1. Rating : 2A 16VDC
2. Withstanding voltage
AC 500V, 60Hz for 1 minute
3. Insulation resistance (initial)
100M Ω (min.) at 500V DC
4. Contact resistance (initial)
30m Ω max. at AC 100mA(max) 1KHz
5. Insertion & Extraction force
Initial : 0.3 to 3.0Kgs
After life test : 0.2 to 3.0Kgs
6. Life test (20-30 cycle/minute)
5,000 cycles unloading

勝特力材料 886-3-5753170
 勝特力电子(上海) 86-21-54151736
 勝特力电子(深圳) 86-755-83298787
[Http://www.100y.com.tw](http://www.100y.com.tw)