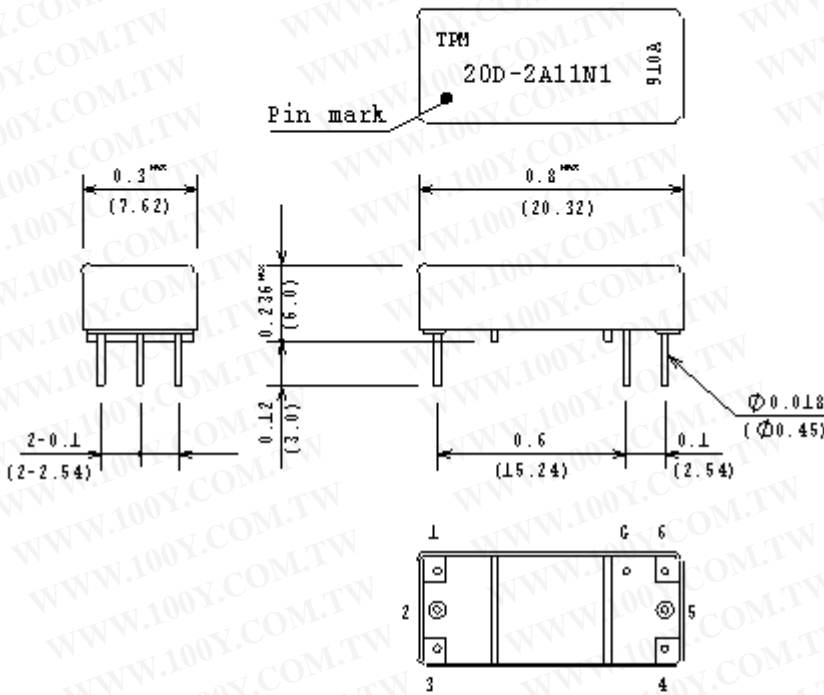


SPECIFICATIONS			Model Number(TYPE)		
<div style="border: 2px solid red; padding: 5px; display: inline-block;"> 勝特力材料 886-3-5753170 勝特力电子(上海) 86-21-54151736 勝特力电子(深圳) 86-755-83298787 Http://www.100y.com.tw </div>			20D-2A 11N1		
Parameters	Test Conditions	Units	20D-2A11N1	20D-2A21N1	20D-2A31N1
Coil Specs					
Nominal Coil Voltage	± 10% at 20° C	VDC	5.0	12.0	24.0
Max Coil Voltage	15° C to 35° C	VDC	5.5	13.2	26.4
Coil Resistance	15° C to 35° C	W	150	600	2000
Operate Voltage		VDC-Max	4.0	9.6	19.2
Release Voltage		VDC-Min	0.7	1.2	2.4
Contact Ratings					
Switching Voltage	max DC/peak AC resist	Volts-Max	100	100	100
Switching Current	max DC/peak AC resist	Amps-Max Amps-Max	0.5	0.5	0.5
Carry Current	max DC/peak AC resist	m Amps-Min	1.0	1.0	1.0
Contact Ratings	min DC 10 mV AC Resist.	Watts-Max	10	10	10
Life Expectancy	max DC/peak AC resist	x106Cyc.	10	10	10
Contact Resistance	at 1V 10mA	m W -Max	100	100	100
Contact Resistance	max initial at operate voltage	m W -Max	150	150	150
Stability	max initial at operate voltage		2.0	2.0	2.0
Relay Specifications					
Insulation Resistance	between all isolated pins	W -Min	1011	1011	1011
Capacitance	at 100V 20° C 40%RH	pF-Max	0.2	0.2	0.2
(across open contact.)	at DC BIAS 1V 1MHz	pF-Max	1.2	1.2	1.2
(contact to shield)	shield guarding	pF-Max	0.5	0.5	0.5
open contact to coil	contacts: open				
	shield floating				
	shield guarding				
Parameters	Test Conditions	Units	20D-2A11N1	20D-2A21N1	20D-2A31N1
Relay Specifications					
Dielectric Strength	between contacts	VDC-Min	200	200	200
Operate Time	contacts to shield	VDC-Min	500	500	500
(including bounces)	at nominal coil voltage	msec-Max	0.5	0.5	0.5
Release Time	100Hz square wave	msec-Max	0.5	0.5	0.5

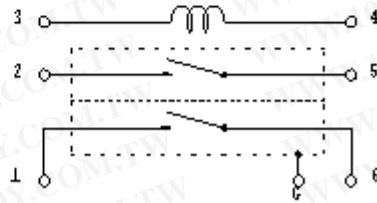
Dimensions

All dimensions are measured in inches(millimeters).



Schematic <Top view>

"Pin mark (●)" corresponds to the terminal number 1.



勝特力材料 886-3-5753170
 勝特力电子(上海) 86-21-54151736
 勝特力电子(深圳) 86-755-83298787
[Http://www.100y.com.tw](http://www.100y.com.tw)