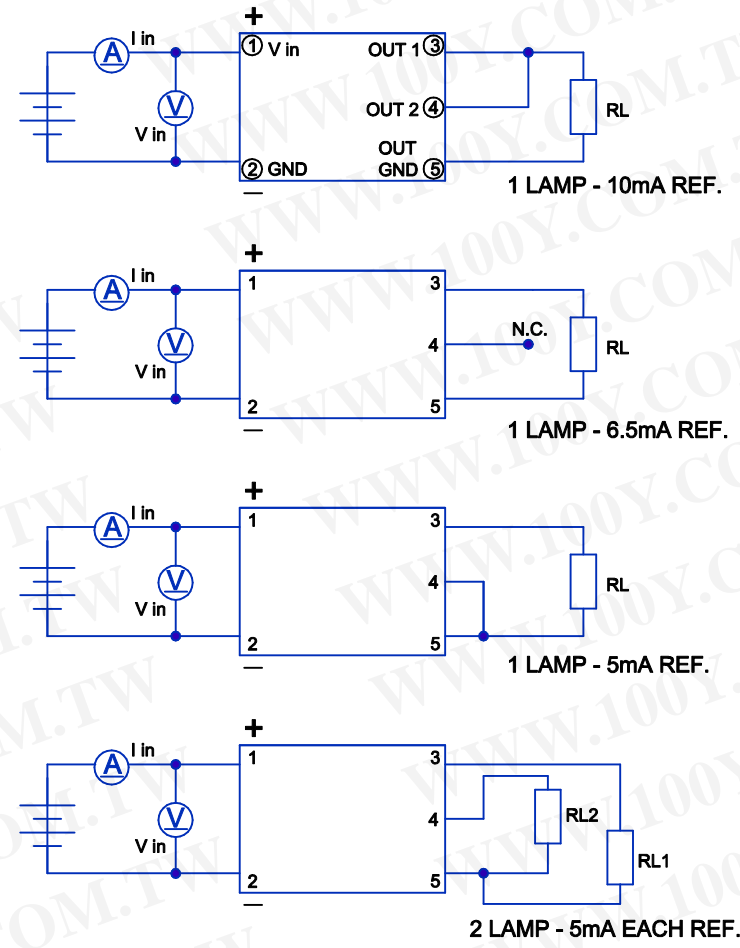


勝特力材料 886-3-5753170  
 勝特力电子(上海) 86-21-34970699  
 勝特力电子(深圳) 86-755-83298787  
 Http://www.100y.com.tw

REV.	DESCRIPTION/ECO NO.	DATE
	RELEASED	3/10/03



BOARD PIN #	INPUT
1	+V (V in)
2	V (GND)
3	OUT 1
4	OUT 2
5	OUT (GND)

**CAUTION:**  
 REVERSE POLARITY TO INVERTER  
 INPUT WILL CAUSE AN OPEN CIRCUIT  
 IN FUSE F1.

CHARACTERISTICS	MIN	TYP	MAX
INPUT VOLTAGE: (vdc)	21.6	24.0	26.4
INPUT CURRENT: (mA)	80	140	200
OUTPUT VOLTAGE: (Vrms)	900	1000	1100
OUTPUT CURRENT (mA) x 2	4.5	5.5	6.5
OUTPUT FREQUENCY: (kHz)	20	30	45
OPERATING TEMP: (CELSIUS)	0	25	50

	DIMENSIONS ARE IN MILLIMETERS TOLERANCE UNLESS OTHERWISE SPECIFIED 1 PL +/- 0.3 2 PL +/- ANGLE +/- 0	<b>JKL COMPONENTS CORPORATION</b>			
		<b>TITLE</b> 24 V CCFL POWER SUPPLY			
DRAWN BY L. WENGSTROM	APP'VD BY F.D.	DATE 3/10/03	SIZE <b>A</b>	FSCM NO. <b>55335</b>	DRAWING NO. <b>BXA-24529</b>
- CAD DRAWING - MANUAL REVISIONS NOT PERMITTED			SCALE <b>NONE</b>	RELEASED DATE 3/10/03	REVISION DATE NO.
				REV. NO.	SHEET OF