

Technical Information

No. 4205

Edition: 08/05 - subject to change

Substitutes: Edition 02/92

Status: valid

Xenon Short Arc Lamp

XBO[®] 5000 W/H OFR

■ Product description

The OSRAM XBO[®] 5000 W/H OFR is a DC -operated lamp that is especially suited for applications requiring excellent arc stability and high luminance. The OSRAM XBO[®] 5000 W/H OFR is designed for horizontal burning position (H = horizontal)

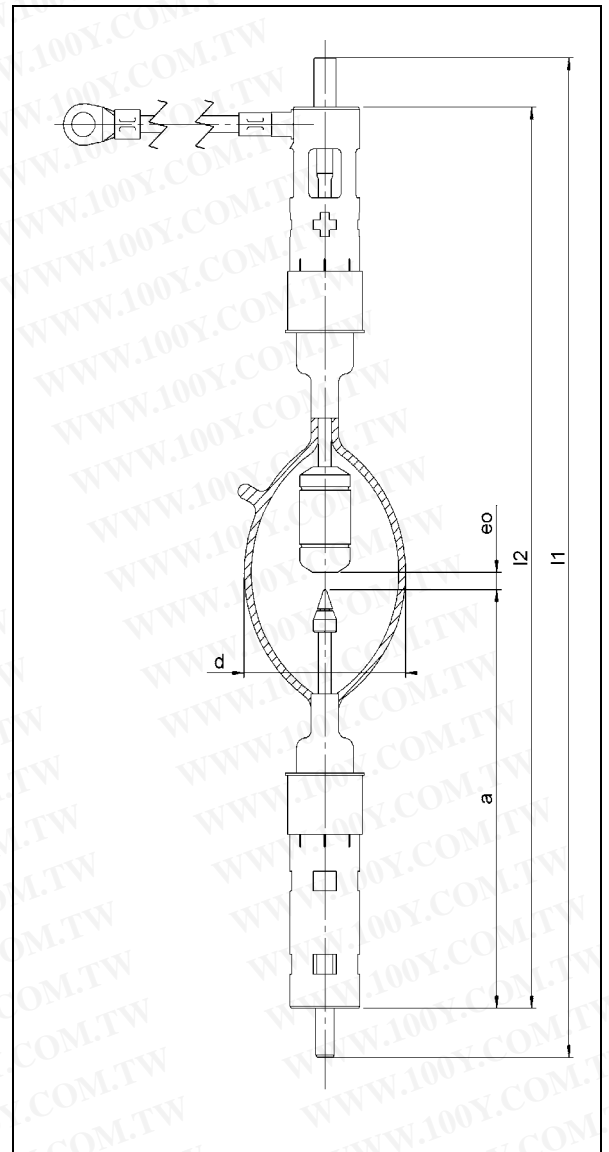
■ Technical data

Order reference	XBO [®] 5000 W/H OFR
Rated lamp wattage	W 5000
Rated lamp voltage	V 35
Rated lamp current (=)	A 140
Current control range	A 100 - 150
Ignition voltage	kV _s 36
Min. open circuit voltage for cold / hot ignition	V 85 / 110
Luminous flux	lm 225000
Luminous intensity	cd 27000
Average luminance	cd/cm ² 95000
Luminous area w x h *)	mm 2.2 x 6.5
Electrode gap e (cold)	mm 7.5
Lamp length (overall) l ₁	mm max. 433
Lamp length l ₂	mm max. 382
LCL a	mm 167.5
Bulb diameter d	mm 70
Average service life	h 1500
Warranty	h 1000
Base	• Cathode: SFaX 27-14 • Anode: SFaX 27-13

*) w = luminance half width value; h = height of luminance area (corresponds to electrode gap, hot)

■ Lamp operation

Maximum permissible base temperature	°C 230
Cooling	Forced cooling / fan
Min. air flow velocity around discharge vessel	m/s 6
Magnetic arc stabilization	necessary for horizontal operation
Operating position	• s 15 (vertical ± 15° ; anode up) ; • p 15 (horizontal ± 15°)



勝特力材料 886-3-5753170
勝特力电子(上海) 86-21-54151736
勝特力电子(深圳) 86-755-83298787
[Http://www.100y.com.tw](http://www.100y.com.tw)