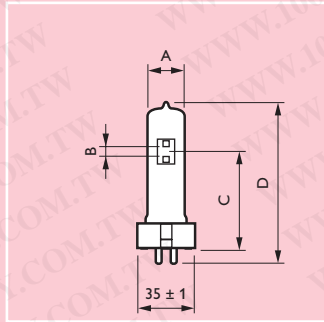
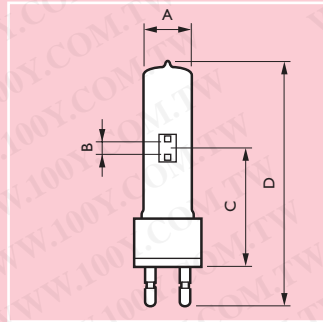


Type	Lamp wattage	Cap/ base	Lumen output	Efficacy source	Chromaticity coordinate		Tc	Burning position	Average lamp life	Replacement before hours	Minimum ignition supply voltage	Lamp current	Colour rendering index	Ordering number
	W		lm	lm/W	x	y	K		h	h	V	A	Ra	
MSR 400	400	GX9.5	32000	80	.325	.320	5900	ANY	1000	1200	207	6.90	92	9280 779 05100
MSR 575/2	575	GX9.5	49000	85	.302	.320	7200	ANY	1000	1200	207	6.95	80	9281 716 05100
MSR 700	700	G22	55000	80	.325	.320	5900	ANY	1000	1200	207	12.00	80	9280 780 05100
MSR 700/2	700	G22	55000	78	.302	.320	7200	ANY	1000	1200	207	11.00	80	9281 715 05100
MSR 1200	1200	G22/30x53	110000	91	.325	.320	5900	ANY	800	1000	207	13.80	95	9280 781 05100
MSR 1200/2	1200	G22/30x53	110000	91	.302	.320	7200	ANY	800	1000	207	13.80	85	9281 718 05100

Nominal values measured in horizontal burning position in an integrating sphere on a magnetic ballast.

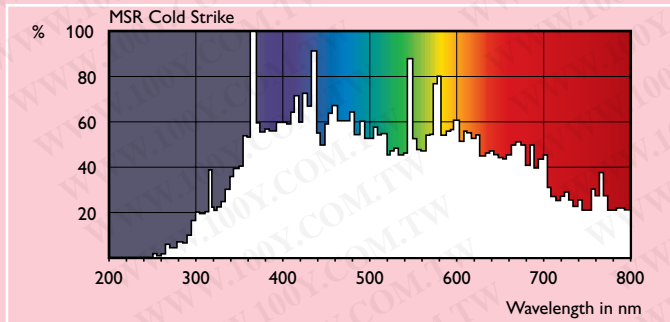


Dimensions in mm

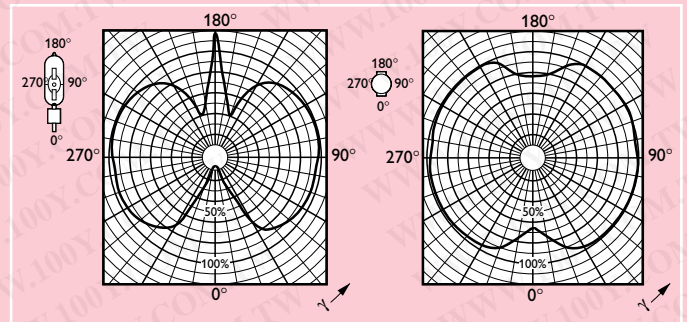


Type	A max.	B nom.	C max.	D max.
MSR 400	23.0	6.0	62±1.0	112
MSR 575/2	30.0	7.0	65±1.0	125

Type	A max.	B nom.	C max.	D max.
MSR 700(/2)	30.0	8.0	75±1.0	155
MSR 1200(/2)	40.0	10.0	85±1.0	175



Spectral power distribution



Light distribution

Ballast specifications for mains voltage 230 V

Type of lamp	Impedance Ω	Current A	Ballast losses W
MSR 400	30	7	50
MSR 575/2	28	6.95	60
MSR 700/2	19	11	55
MSR 1200 (/2)	14	13.8	120

Starter specifications

Type of lamp	Starting voltage min.	max.
MSR 400	1700 V	4500 V
MSR 575/2	1700 V	4500 V
MSR 700/2	1700 V	5000 V
MSR 1200 (/2)	1700 V	5000 V

Remark

Deviation in nominal mains voltage of more than +3% the ballast impedance must be adapted to prevent that the lamp is continuously burning at too high lamp wattage resulting in shorter life time.

Series and parallel starters can be used. Minimum starting voltage is 1700 V with min. 200 usec at 10% of voltage peak. Minimum 2 peaks per half cycle between 60...90 and 240...270 degrees.

More detailed information can be found in our separate publication 'Directions for design of ballast and ignitors of MSR and MSI lamps.'

勝特力材料 886-3-5753170
勝特力电子(上海) 86-21-54151736
勝特力电子(深圳) 86-755-83298787
[Http://www.100y.com.tw](http://www.100y.com.tw)

Maximum permissible temperatures (degr. C)

Type	Pinch	Bulb
MSR 400	350	700
MSR 575/2	350	700
MSR 700/2	350	700
MSR 1200	350	700
MSR 1200/2	350	700