

Actinic BL PLS/PLL – compact size for more design freedom

Actinic BL PL-S/PL-L

With an optimized performance to attract most insects the Philips Actinic BL PLS/PLL lamps offer a more compact solution for electronic insect killer systems. And, with a range of wattages, they are also suitable for photopolymerization and reprographic processes. In addition, Philips provides a wide choice of BL TL, BL TLD, and BL T5 versions as well as a circular and a T5 version. Hence, product designers have a high degree of flexibility in choosing the best fitting solution for their needs – including compact designs. For extra safety, there is a special shatter-proof “Secura” option which ensures that all the lamp’s glass and components are retained in a special outer sleeve in the case of accidental breakage. Hence, product designers have a high degree of flexibility in choosing the best fitting solution for their needs. What’s more, as a 100% lead-free and low-mercury product these lamps also provide a responsible environmental choice.

Benefits

- Perfectly matches the eye sensitivity of moving houseflies and in this way attracts more insects
- Safe to be used
- Best environmental choice

Features

- Emit long-wave UV-A radiation in the 350-400nm range
- UV-B/UV-A ratio less than 0.1 % (UV-B 280-315nm)
- 100% Lead free
- Low mercury

勝特力材料 886-3-5753170
勝特力电子(上海) 86-21-34970699
勝特力电子(深圳) 86-755-83298787
[Http://www.100y.com.tw](http://www.100y.com.tw)

PHILIPS

sense and simplicity

Application

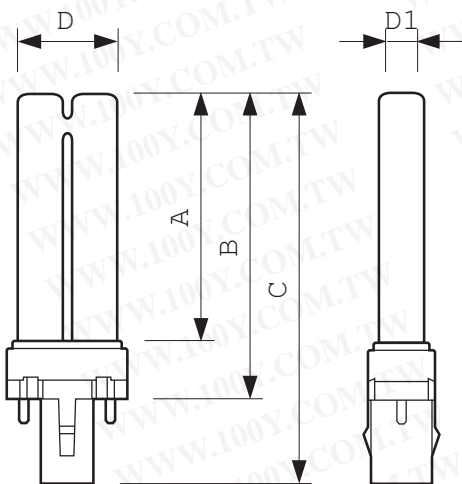
- Insect traps

- Electronic Fly Killers (EFK)

Related products

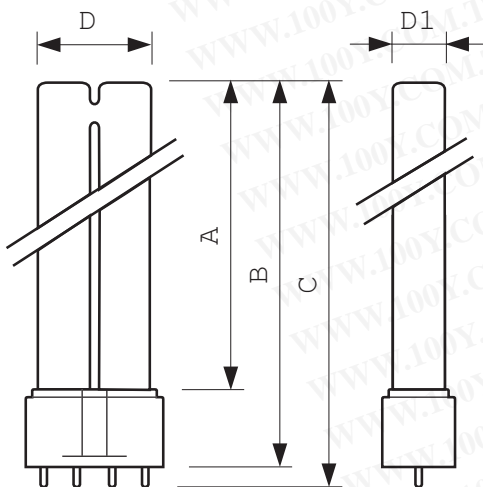


Dimensional drawing



PL-S

Product	A (Max)	B (Max)	C (Max)	D (Max)	D1 (Max)
PL-S 11W/210/2P	198	213.3	236.3	28	13



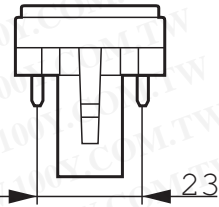
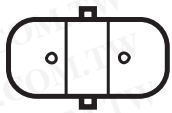
Product	A (Max)	B (Max)	C (Max)	D (Max)	D1 (Max)
PL-L 18W/10/4P	194.2	220	226.6	39	18
PL-L 36W/210/4P	384.2	410	416.6	39	18

勝特力材料 886-3-5753170
勝特力电子(上海) 86-21-34970699
勝特力电子(深圳) 86-755-83298787
[Http://www.100y.com.tw](http://www.100y.com.tw)

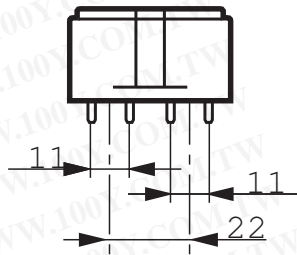
General Characteristics

Order code	Full product name	Bulb	Bulb Finish	Cap-Base	Execution	Main Application	Useful Life
952011 80	PL-S 11W/10/2P 1CT	2xT12	-	G23	2 Pins	-	2000
260185 40	PL-L 18W/10/4P 1CT	2xT16	-	2G11	-	Reprography	5000
264817 40	Actinic BL PL-L 36W/10/4P 1CT	2xT16	-	2G11	-	-	2000

Installation diagrams



G23



2G11

勝特力材料 886-3-5753170
 勝特力电子(上海) 86-21-34970699
 勝特力电子(深圳) 86-755-83298787
[Http://www.100y.com.tw](http://www.100y.com.tw)

Light Technical Characteristics

Order code	Full product name	Colour Designation	Colour Code
952011 80	PL-S 11W/10/2P 1CT	Ultra Violet A	210
260185 40	PL-L 18W/10/4P 1CT	Ultra Violet A	10
264817 40	Actinic BL PL-L 36W/10/4P 1CT	-	210

UV-related Characteristics

Order code	Full product name	UV-A Radiation 100hr (IEC)
952011 80	PL-S 11W/10/2P 1CT	2.81
260185 40	PL-L 18W/10/4P 1CT	3.5
264817 40	Actinic BL PL-L 36W/10/4P 1CT	8.5

Electrical Characteristics

Order code	Full product name	Lamp Current	Rated Lamp Wattage
952011 80	PL-S 11W/10/2P 1CT	0.16	11
260185 40	PL-L 18W/10/4P 1CT	0.375	18
264817 40	Actinic BL PL-L 36W/10/4P 1CT	0.435	36

UV-related Characteristics

Order code	Full product name	UV-A Radiation 100hr (IEC)
952011 80	PL-S 11W/10/2P 1CT	2.81
260185 40	PL-L 18W/10/4P 1CT	3.5
264817 40	Actinic BL PL-L 36W/10/4P 1CT	8.5

UV-related Characteristics

Order code	Full product name	UV-A Radiation 100hr (IEC)
952011 80	PL-S 11W/10/2P 1CT	2.81
260185 40	PL-L 18W/10/4P 1CT	3.5
264817 40	Actinic BL PL-L 36W/10/4P 1CT	8.5