

5mm-940-40

紅外線發射二極體

勝特力材料 886-3-5753170
 勝特力电子(上海) 86-21-34970699
 勝特力电子(深圳) 86-755-83298787
[Http://www.100y.com.tw](http://www.100y.com.tw)

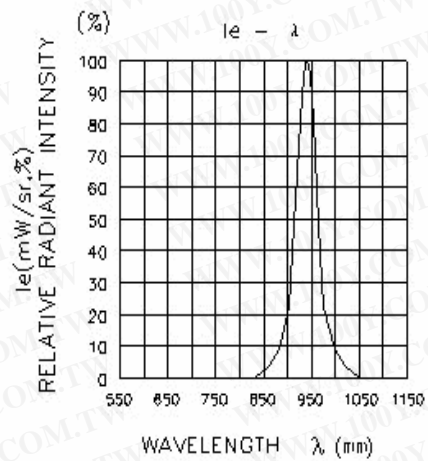
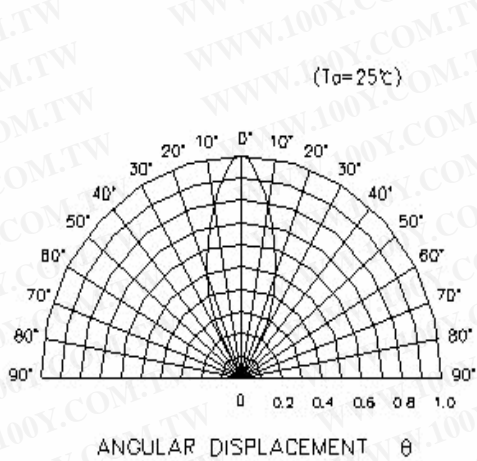
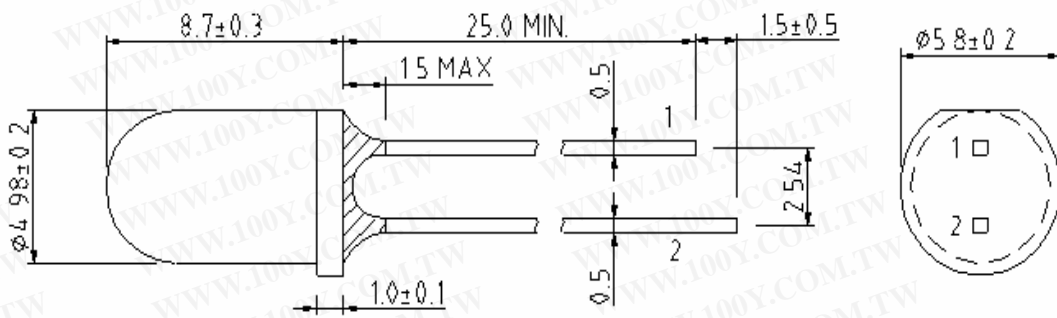


Absolute maximum ratings (T A =25 °C)

Parameter	Symbol	Value	Unit
Power Dissipation	PD	120	mW
DC Forward Current	IF	50	mA
Pulsed Forward Current	IFP	350*	mA
Reverse Voltage	VR	5	V
Operating Temperature	Topr	-25 ~ + 6 0	°C
Storage Temperature	Tstg	-40 ~ +100	°C
Soldering Temperature	Tsol	260for5sec △	°C

Value

Parameter	Symbol	Min	Typ	Max	Unit	Test Condition
Forward Voltage	Vf	1	1.3	2.2	V	If=50mA
Luminous intensity	Power	...	13	...	mw	If=50mA
Wavelength	X(λp)	930	...	960	(nm)	If=50mA
	y	If=50mA
Reverse Current	Ir	1 0	μA	Vr=5V
Viewing angle	2θ1/2	...	45	...	deg	If=50mA
Spectral half bandwidth	△ λ	...	25	...	nm	If=50mA



勝特力材料 886-3-5753170
 勝特力电子(上海) 86-21-34970699
 勝特力电子(深圳) 86-755-83298787
[Http://www.100y.com.tw](http://www.100y.com.tw)