

# JOINSCAN LEDs

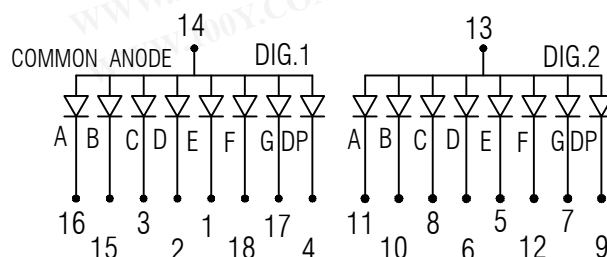
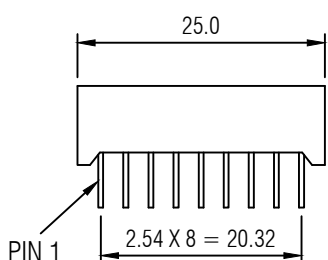
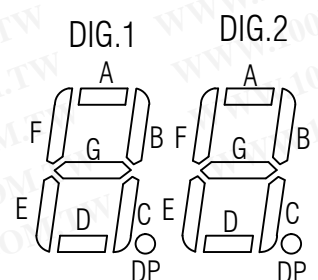
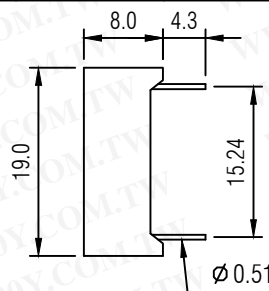
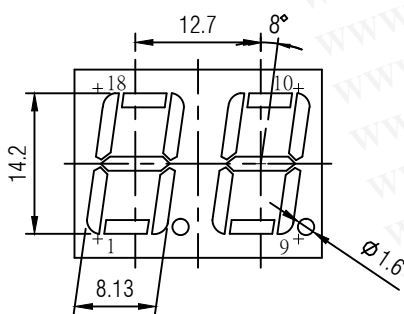
A5628G	0.56 INCH DUAL DIGIT STANDARD GREEN COMMON ANODE		
SURFACE COLOR	BLACK SURFACE WHITE SEGMENT		GRAY SURFACE WHITE SEGMENT
MOLDE NO.	A5628G - BW		A5628G - GW
EMITTING COLOR	GREEN		
DICE	GaP		

## ABSOLUTE MAXIMUM RATINGS (最大極限值) TA = 25 °C

PARAMETER	SYMBOL	RATING	UNIT
POWER DISSIPATION	P AD	55.0	mW
DERATING LINEAR FROM 25 °C		0.27	mA / °C
CONTINUOUS FORWARD CURRENT	I AF	25.0	mA
PEAK FORWARD CURRENT (DUTY CYCLE 1 / 10 , 10KHZ)	I PF	90.0	mA
REVERSE VOLTAGE	V R	5.0	V
OPERATING TEMPERATURE	T OPR	-25 °C TO + 85 °C	
STORAGE TEMPERATURE	T STG	-25 °C TO + 85 °C	
SOLDER TEMPERATURE 1 / 16 INCH BELOW SEATING PLANE FOR 5 SECONDS AT 250 °C			

## ELECTRO - OPTICAL CHARACTERISTICS (電性) TA = 25 °C

PARAMETER	SYMBOL	CONDITION	MIN	TYP	MAX	UNIT
FORWARD VOLTAGE	V F	I F = 20mA	—	2.2	—	V
LUMINOUS INTENSITY	I V	I F = 20mA	—	3.5	—	mcd
PEAK EMISSION WAVELENGTH	$\lambda P$	I F = 20mA	—	570	—	nm
REVERSE CURRENT	I P	I F = 5mA	—	—	100	$\mu A$



**勝特力材料 886-3-5753170**  
**勝特力电子(上海) 86-21-34970699**  
**勝特力电子(深圳) 86-755-83298787**  
[Http://www.100y.com.tw](http://www.100y.com.tw)

UNIT : mm  
 TOLERANCE :  $\pm 0.2$ mm  
 Amended Date :  
 2003 / NOV / 06 / 13 : 57  
 A