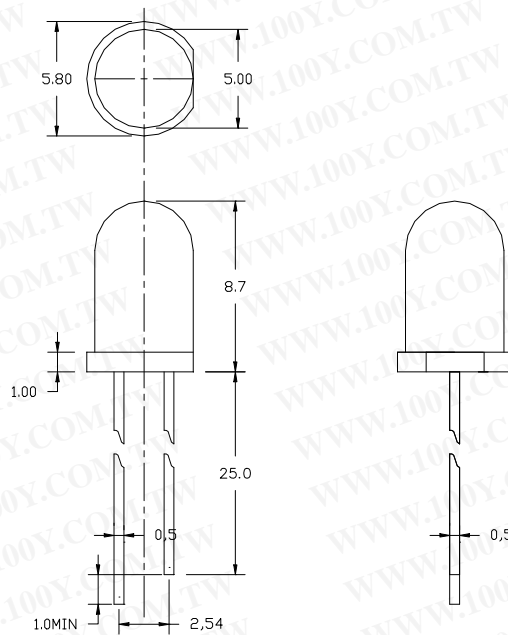


■ Features:

1. Low power consumption
2. High efficiency
3. Reliable and rugged
4. Chip Material: GaAsP . AlGaInP. InGaN
5. Lens Color: Water Clear
6. Source Color: Red 、 Green 、 Blue

■ Outline Dimensions:



Note :

1. All dimensions are in millimeters (inches)
2. Tolerance is $\pm 0.25\text{mm}$ (.010") unless otherwise noted
3. Protruded resin under flange is 1.0mm (.04") max.
4. Lead spacing is measured where the leads emerge from the package.
5. Specifications are subject to change without notices.

■ Absolute Maximum Ratings at Ta=25°C:

Parameter	Maximum	Unit
Power Dissipation	85	mW
Peak Forward Current (1/10 Duty Cycle,0.1ms Pulse Width)	100	mA
Continuous Forward Current	30	mA
Derating Linear From 50°C	0.5	mA/°C
Reverse Voltage	5	V
Operating Temperature Range	-20°C to +80°C	
Storage Temperature Range	-30°C to +100°C	
Lead Soldering Temperature [1.6mm(0.63") from body]	260°C for 3 Seconds	

■ Electrical/Optical Characteristics at Ta=25°C:

- Supply Voltage Range : 4.5V DC
- Low Standby Current < 5 μA
- Power On—On Mode
- Crystal---1.4Hz (one second for 1.4 times)
- Driver Current > 25mA
- Input current : 90mA
- Power Consumption : 0.405W

RED COLOR :

Parameter	Symbol	Min	Typ	Max	Unit	Test Condition
Forward voltage	VF	*	2.0	2.4	V	IF=20mA
Luminous intensity	IV	*	800	*	mcd	IF=20mA
Wominant wavelength	λd	620	*	630	nm	*
Half intensity angle	$\Delta \theta$	*	140	*	Deg	*

PURE GREEN COLOR :

Parameter	Symbol	Min	Typ	Max	Unit	Test Condition
Forward voltage	VF	*	3.2	3.8	V	IF=20mA
Luminous intensity	IV	*	1500	*	mcd	IF=20mA
Wominant wavelength	λd	515	*	525	nm	*
Half intensity angle	$\Delta \theta$	*	120	*	Deg	*

BLUE COLOR :

Parameter	Symbol	Min	Typ	Max	Unit	Test Condition
Forward voltage	VF	*	3.0	3.8	V	IF=20mA
Luminous intensity	IV	*	1000	*	mcd	IF=20mA
Wominant wavelength	λd	465	*	475	nm	*
Half intensity angle	$\Delta \theta$	*	120	*	Deg	*

變化圖：

SEC1 (K1)				SEC2 (K2)				SEC3 (K3)				SEC4 (K4)			
單燈順閃				雙燈順閃				連亮				連滅			
R	G	B		R	G	B		R	G	B		R	G	B	
○	×	×		○	○	×		○	×	×		○	○	○	
×	○	×		×	○	○		○	○	×		○	○	×	
×	×	○		○	×	○		○	○	○		○	×	×	
								×	×	×		×	×	×	

測試條件 : 4.5 VDC 容許誤差 : +20% -20%

SEC 1 —— 0.79 秒 SEC 2 —— 0.81 秒

SEC 3 —— 1.07 秒 SEC 4 —— 1.07 秒

SEC 5 —— 0.50 秒 SEC 6 —— 1.80 秒

SEC 7 —— 2.90 秒

SEC5 (K5)				SEC6 (K6)				SEC7 (K7)				SEC8 (K8)			
同時閃				七彩				七彩漸明漸暗				SEC1+SEC6+SEC7			
R	G	B		R	G	B		R	G	B		R	G	B	
○	○	○		○	×	×		◇	×	×					
×	×	×		×	○	×		×	◇	×					
				×	×	○		×	×	◇					
				○	○	×		◇	◇	×		SEC8 (K8)			
				×	○	○		×	◇	◇		SEC1~SEC7			
				○	×	○		◇	×	◇					
				○	○	○		◇	◇	◇					