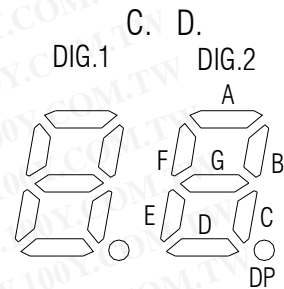
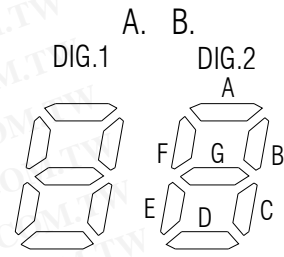
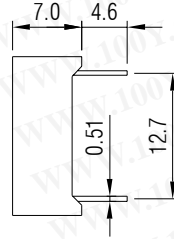
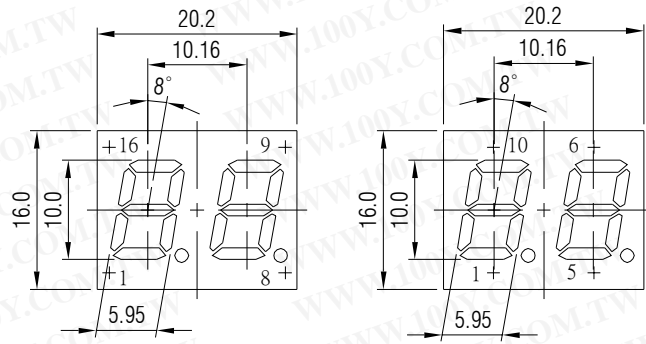
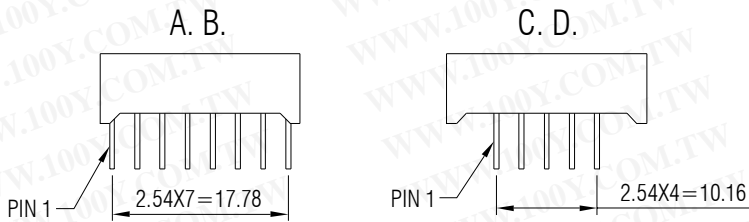


# JOINSCAN LEDs

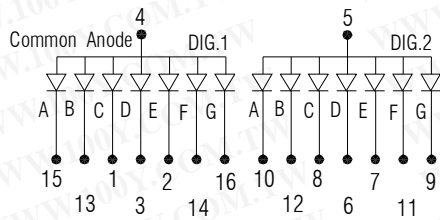
D.40A 0.4 INCH (10.0mm) DUAL DIGIT PIN PITCH 2.54mm 20.2 X 16.0 X 7.0mm



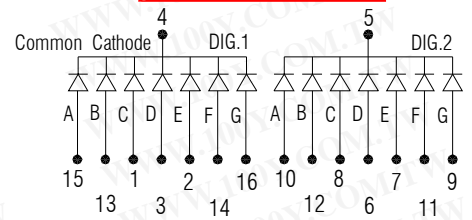
Unit : mm  
Tolerance : ±0.2mm



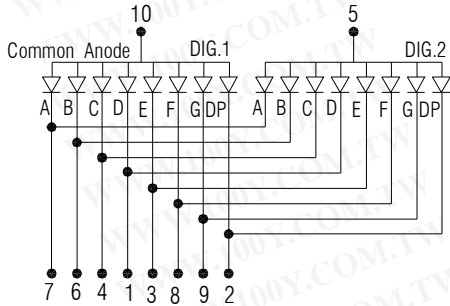
## A. A4026 SERIES



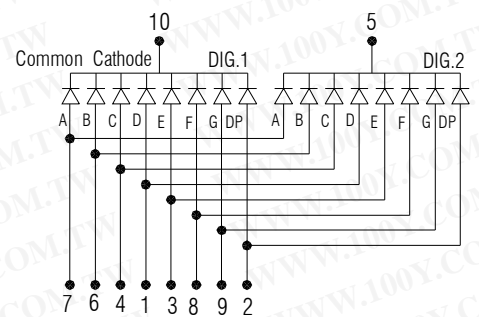
## B. C4026 SERIES



## C. E4028 SERIES



## D. F4028 SERIES



PIN FUNCTION	COLOR	COMMON ANODE			COMMON CATHODE			WAVE LENGTH (nm)	IR MAX (uA) VR=5V	VF (V) IF=20mA	LUMINOUS INTENSITY IF=20mA
		A	C	E	B	D	F				
GaP	RED	A4026H	E4028H		C4026H	F4028H		695	100	2.2	0.6mcd
GaAsP	ORANGE RED	A4026O	E4028O		C4026O	F4028O		635	100	2.0	2.5mcd
GaP	GREEN	A4026G	E4028G		C4026G	F4028G		570	100	2.2	3.5mcd
Gap	Yellow	A4026Y	E4028Y		C4026Y	F4028Y		600	100	2.2	3.5mcd
GaAlAs	SUPER RED	A4026RS	E4028RS		C4026RS	F4028RS		650	100	1.8	3.3mcd
GaAlAs	ULTRA RED										
GaAlAs	YELLOW GREEN										
Sic	BLUE	A4026SF	E4028SF		C4026SF	F4028SF		465±5	100	3.6	10.0mcd
ZnSe	WHITE										

Model No. -BW BLACK SURFACE WHITE SEGMENT  
-BR BLACK SURFACE RED SEGMENT  
-GW GRAY SURFACE WHITE SEGMENT

### Remark :

1. Typical forward current 10~20mA, MAXimum forward current 25mA
2. Solder Temperature 1.6mm Below Seating plane less 5 seconds at 260°C +5°C -30°C
3. Peak Forward current Per Dice, Duty cycle 1/10, 10KHZ, MAXimum 120mA
4. Operating Temperature From -25°C to 85°C
5. RoHS COMPLIANT

勝特力材料 886-3-5753170  
勝特力电子(上海) 86-21-34970699  
勝特力电子(深圳) 86-755-83298787  
[Http://www.100y.com.tw](http://www.100y.com.tw)