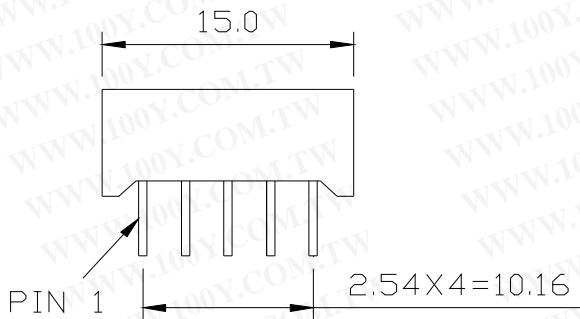
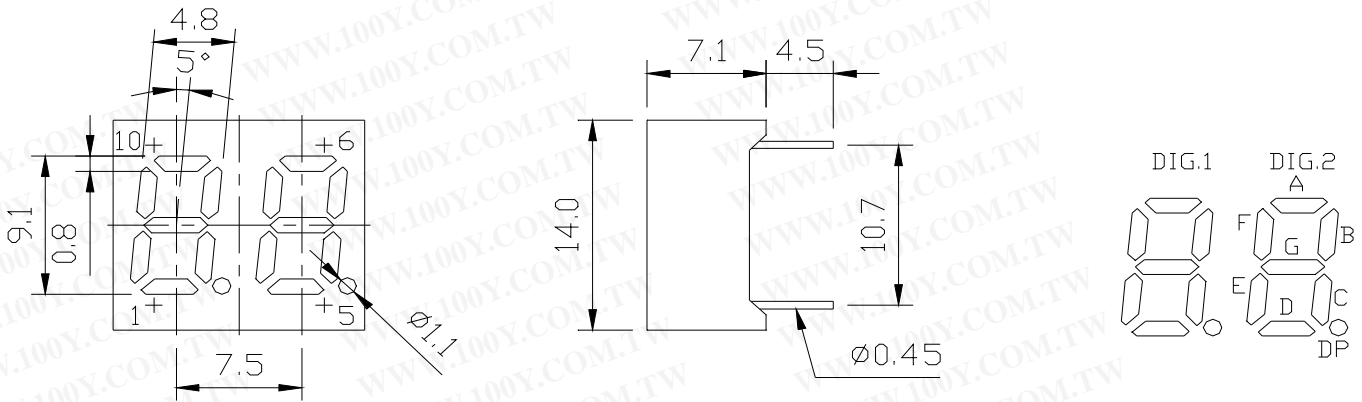
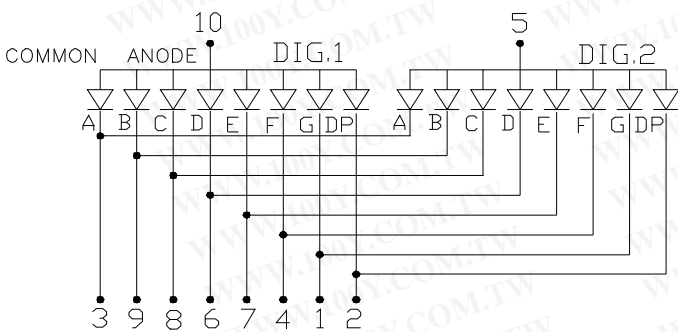


D. 36A 0.36 INCH DUAL DIGIT

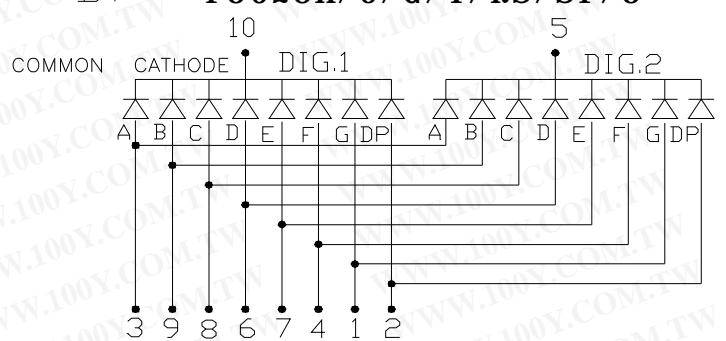


UNIT : mm
 TOLERANCE : ±0.2mm

A. **E3628H/0/G/Y/RS/SF/3**



B. **F3628H/0/G/Y/RS/SF/3**



PIN FUNCTION	COMMON ANODE			COMMON CATHODE			WAVE LENGTH (nm)	IR MAX (uA) VR=5V	VF (V) IF=20mA	LUMINOUS INTENSITY IF=20mA
	A	C	E	B	D	F				
Emitting COLOR	model no.	model no.	model no.	model no.	model no.	model no.	(nm)	VR=5V	IF=20mA	IF=20mA
GaP RED	E3628H			F3628H			695	100	2.2	0.4mcd
GaAsP ORANGE RED	E3628O			F3628O			635	100	2.0	2.5mcd
GaP Green	E3628G			F3628G			570	100	2.2	4.5mcd
Gap Yellow	E3628Y			F3628Y			600	100	2.2	2.5mcd
GaAlAs RED	E3628RS			F3628RS			650	100	1.8	3.0mcd
GaAlAs RED										
GaAlAs YELLOW GREEN										
Sic BLUE	E3628SF			F3628SF			465±5	100	3.6	30mcd
ZnSe WHITE	E36283			F36283			485+	100	3.0	2.5mcd

Model No. -BW BLACK SURFACE WHITE SEGMENT
 -BR BLACK SURFACE RED SEGMENT
 -GW GRAY SURFACE WHITE SEGMENT

Remark :

1. Typical forward current 10-20mA , MAXimum forward current 25 mA
2. Solder Temperature 1.6mm Below Seating plane less 5 seconds at 260°C +5°C -30°C
3. Peak Foward current Per Dice , Duty cycle 1/10 , 10KHZ , MAXIMUM 120mA
4. Operating Temperature From -25°C to 85°C

Amended Date :
 2003/NOV/18/15 : 22
 A