

## FU-57TZ

Transmissive Fibre Unit



勝特力材料 886-3-5753170  
 勝特力电子(上海) 86-21-34970699  
 勝特力电子(深圳) 86-755-83298787  
[Http://www.100y.com.tw](http://www.100y.com.tw)

## SPECIFICATIONS

Model	FU-57TZ		
Type	—		
Shape	—		
Beam emitting direction	Side		
Detection arrangement	—		
Detecting method	Thrubeam		
No. of beam axes	—		
Optical axis width	—		
Optical axis height	—		
Optical axis diameter	ø0.5 mm		
Mounting transparent tube diameter	—		
Standard detection object	ø0.5 mm		
Detection distance	—		
Detection distance	SUPER TURBO		
	When using the FS-N Series	MEGA	740 mm
		ULTRA	480 mm
		SUPER	280 mm
		TURBO	200 mm
		FINE	140 mm
		HIGH SPEED	70 mm
	When using the FS-V30 Series	When APC is on	MEGA 250 mm
			ULTRA 200 mm
			SUPER 120 mm
			TURBO 90 mm
			FINE 45 mm
			HIGH SPEED 25 mm
		When APC is off	MEGA 330 mm
			ULTRA 250 mm
			SUPER 150 mm
			TURBO 110 mm
			FINE 55 mm
			HIGH SPEED 35 mm
Minimum detectable object	Object with a diameter of 0.005 mm <sup>*1</sup>		
Focal distance	—		
Hysteresis (of detecting distance)	—		
Heat resistant temperature	—2		
Aperture angle	—		
Spot	—		
Slit (sold separately)	—		
Repetition accuracy	—		
Leak amount	—		
Fibre allowable bend radius	R2 mm Tough-Flex		
Cable length	1 m free-cut		
Fibre diameter	ø1.0		
Tightening torque	—		
Overview	—		
Size	—		
Enclosure rating	—		
Operating ambient temperature	-40 to +50°C		
Operating ambient humidity	—		
Pressure resistance	—		
Material	—		
Accessories	—		

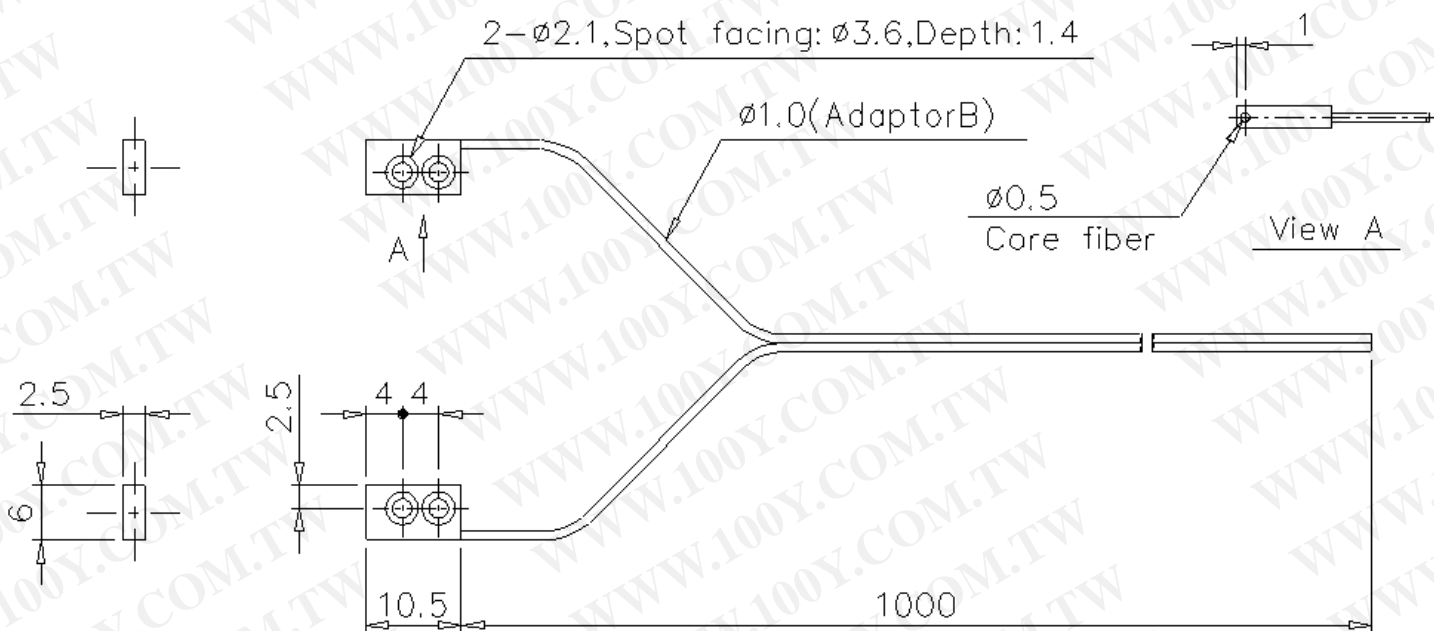
Weight	Approx 5 g
--------	------------

\*1 The minimum detectable object is the value when the detecting distance and sensitivity have been set to their optimal state.  
\*2 Use in a dry state. Also, when using the heat resistant type, make a selection with ample room for the ambient temperature.

勝特力材料 886-3-5753170  
勝特力电子(上海) 86-21-34970699  
勝特力电子(深圳) 86-755-83298787  
[Http://www.100y.com.tw](http://www.100y.com.tw)

## Dimensions

FU-57TZ



Housing material: SUS303

勝特力材料 886-3-5753170  
 勝特力电子(上海) 86-21-34970699  
 勝特力电子(深圳) 86-755-83298787  
[Http://www.100y.com.tw](http://www.100y.com.tw)