

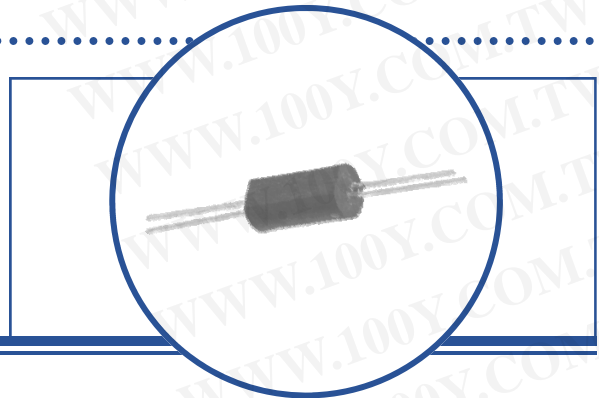
Optically Coupled Isolator

OPI110, OPI113, OPI1264 Series



Features:

- 10 kV electrical isolation
- Choice of phototransistor or photodarlington output
- Low-cost plastic housing
- UL recognized File No. E58730*



Description:

Each Optoisolator in this data sheet contains an infrared Light Emitting Diode (LED) and a NPN silicon Photosensor. The **OPI110** and **OPI1264** devices have 890 nm Light Emitting Diode (LED) and NPN phototransistor sensor, whereas the **OPI113** has a 890 nm LED and a photodarlington sensor. The devices are sealed in a precast opaque housing with an optically transmissive path between the LED and the photosensor.

The Optoisolators in this data sheet are UL approved under E 58730.

This series is designed for transmission of information between one power supply voltage and another where the potentials during surge conditions are not greater than the guaranteed isolation voltage.

Custom electrical, wire and cabling and connectors are available. Contact your local representative or OPTEK for more information.

Applications:

- High voltage isolation between input and output
- Electrical isolation in dirty environments
- Industrial equipment
- Medical equipment
- Office equipment

勝特力材料 886-3-5753170
 勝特力电子(上海) 86-21-34970699
 勝特力电子(深圳) 86-755-83298787
[Http://www.100y.com.tw](http://www.100y.com.tw)

Ordering Information							
Part Number	LED Peak Wavelength	Sensor	Isolation Voltage (,000)	CTR Min / Max	I _F (mA) Typ / Max	V _{CE} (Volts) Max	Lead Length / Spacing
OPI110	890 nm	Transistor	10	12.5 / NA	10 / 40	30	0.50" / 0.55"
OPI110A				25 / NA			
OPI110B				50 / 125			
OPI110C				100 / NA			
OPI113		Photodarlington		50 / NA	5 / 40		
OPI1264		Transistor		12.5 / NA	10 / 40		
OPI1264A				25 / NA			
OPI1264B				50 / 125			
OPI1264C	100 / NA						



RoHS

OPTEK reserves the right to make changes at any time in order to improve design and to supply the best product possible.

Optically Coupled Isolator

OPI110, OPI113, OPI1264 Series

勝特力材料 886-3-5753170
 胜特力电子(上海) 86-21-34970699
 胜特力电子(深圳) 86-755-83298787
[Http://www.100y.com.tw](http://www.100y.com.tw)

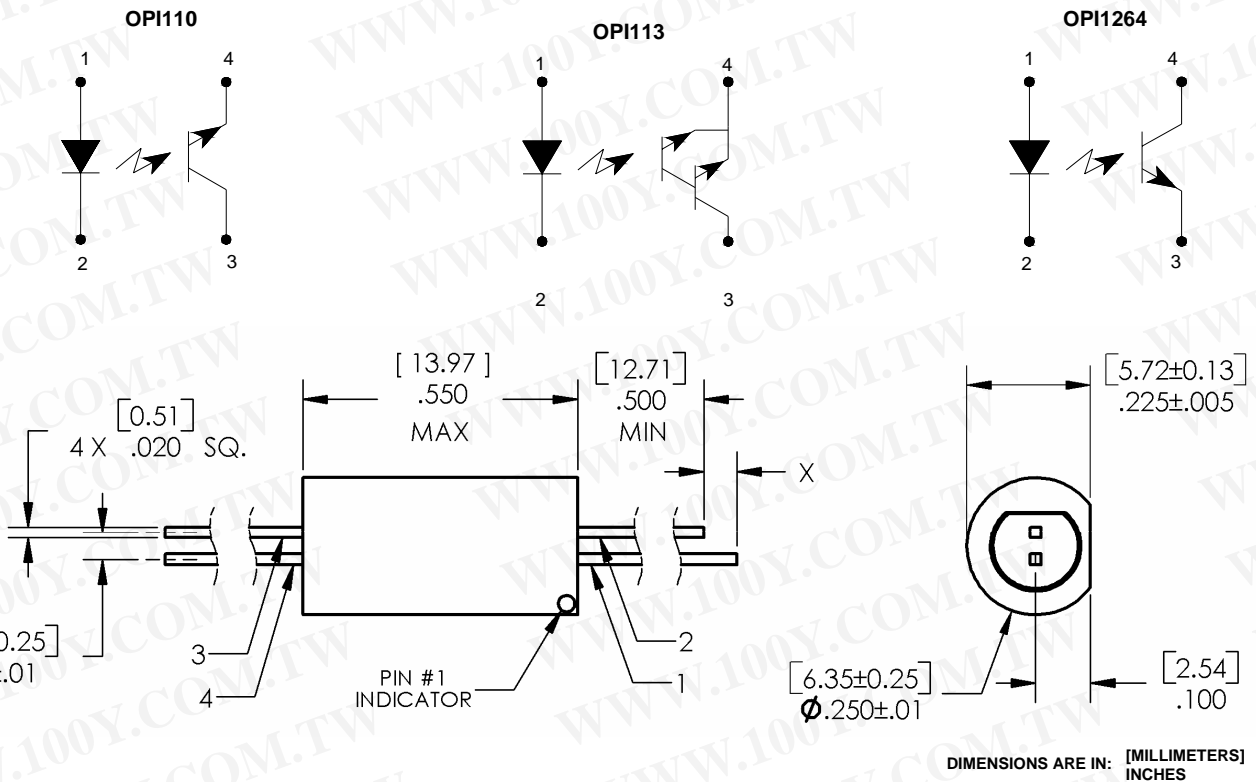


Absolute Maximum Ratings (T_A = 25° C unless otherwise noted)

Storage Temperature ⁽¹⁾⁽²⁾	-40° C to +100° C
Operating Temperature	-40° C to +85° C
Input-to-Output Isolation Voltage	± 10 kVDC
Lead Soldering Temperature (1/16" (1.6 mm) from case for 5 seconds with soldering iron) ⁽³⁾	260° C
Input Diode	
Forward DC Current ⁽⁴⁾	40 mA
Reverse DC Voltage	2 V
Power Dissipation ⁽⁵⁾	50 mW
Output Photosensor	
Collector-Emitter Voltage OPI110, OPI1264 OPI113	30 15
Emitter-Collector Voltage	5
Power Dissipation ⁽⁶⁾	100 mW

Notes:

- (1) Measured with input and output leads shorted. Typical input/output capacitance is 0.06 pF.
- (2) UL recognition is for 3500 VAC for one minute.
- (3) RMA flux is recommended. The duration can be extended to 10 seconds maximum when flow soldering.
- (4) Derate linearly 0.67 mA/°C above 25°C.
- (5) Derate linearly 0.83 mA/°C above 25°C.
- (6) Derate linearly 1.67 mA/°C above 25°C.



OPTEK reserves the right to make changes at any time in order to improve design and to supply the best product possible.

Optically Coupled Isolator

OPI110, OPI113, OPI1264 Series



Electrical Characteristics ($T_A = 25^\circ\text{C}$ unless otherwise noted)

SYMBOL	PARAMETER	MIN	TYP	MAX	UNITS	TEST CONDITIONS
--------	-----------	-----	-----	-----	-------	-----------------

Input Diode (See OP265 for additional information - for reference only)

V_F	Forward Voltage	-	-	1.6	V	$I_F = 20\text{ mA}$
I_R	Reverse Current	-	-	100	μA	$V_R = 2\text{ V}$

Output Photosensor (See OP505 for additional information - for reference only)

$V_{(BR)CEO}$	Collector-Emitter Breakdown Voltage OPI110, OPI1264 OPI113	30 15	- -	- -	V	$I_C = 100\ \mu\text{A}$ $I_C = 100\ \mu\text{A}, I_F = 0$
$V_{(BR)ECO}$	Emitter-Collector Breakdown Voltage OPI110, OPI113 OPI1264	5 -	- -	- -	V	$I_E = 100\ \mu\text{A}, I_F = 0$ $I_E = 100\ \mu\text{A}$
I_{CEO}	Collector-Emitter Dark Current OPI110, OPI1264 OPI113	- -	- -	100 100	nA	$V_{CE} = 15\text{ V}, E_E = 0$ $V_{CE} = 10\text{ V}, E_E = 0$

Coupled

I_C/I_F	DC Current Transfer Ratio OPI110, OPI1264 OPI110A, OPI1264A OPI110B, OPI1264B OPI110C, OPI1264C OPI113	12.5 25.0 50.0 100.0 50.0	- - - - 400	- - 125 -	%	$I_F = 10\text{ mA}, V_{CE} = 5\text{ V}$ $I_F = 10\text{ mA}, V_{CE} = 5\text{ V}$ $I_F = 10\text{ mA}, V_{CE} = 5\text{ V}$ $I_F = 10\text{ mA}, V_{CE} = 5\text{ V}$ $I_F = 5\text{ mA}, V_{CE} = 2\text{ V}$
$V_{CE(SAT)}$	Collector Saturation Voltage OPI110, OPI1264 OPI113	- -	- -	0.4 1.2	V	$I_F = 10\text{ mA}, I_C = 1.6\text{ mA}$ $I_F = 10\text{ mA}, I_C = 5\text{ mA}$
I_{CEO}	Collector-Emitter Dark Current OPI110, OPI1264 OPI113	- -	- -	200 100	nA	$V_{CE} = 20\text{ V}, I_F = 0$ $V_{CE} = 10\text{ V}, I_F = 0$
V_{ISO}	Isolation Voltage	10	-	-	kVDC	See Note 1.

Notes:

(1) Measured with input and output leads shorted. Typical input/output capacitance is 0.06 pF.

勝特力材料 886-3-5753170
 勝特力电子(上海) 86-21-34970699
 勝特力电子(深圳) 86-755-83298787
[Http://www.100y.com.tw](http://www.100y.com.tw)

OPTEK reserves the right to make changes at any time in order to improve design and to supply the best product possible.