

◆ **Shape/外觀:**



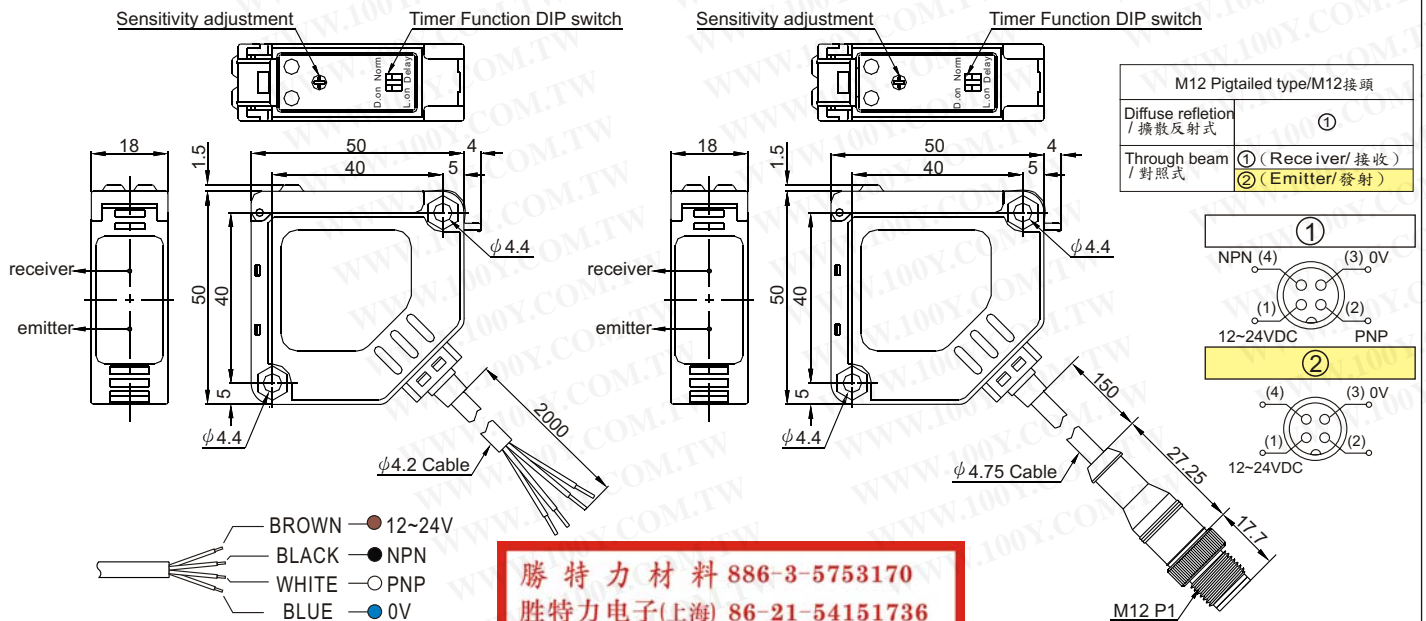
◆ **Specifications /規格表:**

Model / 型號	<b>R3JK-R5KP2</b> <b>R3JK-PR2KP2</b>	<b>R3JK-DU50KP2</b> <b>R3JK-DU100KP2</b>	<b>R3JK-10KP2</b> <b>R3JK-30KP2</b>
	<b>R3JK-R5KP2K</b> <b>R3JK-PR2KP2K</b>	<b>R3JK-DU50KP2K</b> <b>R3JK-DU100KP2K</b>	<b>R3JK-10KP2K</b> <b>R3JK-30KP2K</b>
Sensing type / 檢出方式	Retro reflection / 鏡片反射式 Polarized retro reflection / 偏光鏡片反射式	Diffuse reflection / 擴散反射式	Through beam / 對照式
Sensing distance / 檢出距離	5M 2M	50cm 100cm	10M 30M
Emitting light / 發光源	940 nm. 640 nm.	850 nm.	
Operating voltage / 工作電壓	DC: 12 ~ 24 VDC		
Current Consumption / 消耗電流	30 mA max.		
Output Current / 輸出電流	24 VDC 100mA max.		
Output type / 輸出模式	NPN.L.on/D.on PNP.L.on/D.on		
Response time / 反應時間	1.5 ms max.		
Insulation resistance / 隔離阻抗	20M Ω min. 500VDC		
Voltage withstandability / 絕緣耐壓	1000VAC for 1minute		
Operating temperature/工作溫度	- 20 °C ~ + 60 °C		
Ambient humidity / 工作溼度	35%~85% RH		
Protection degree / 防水等級	IP65		
Material / 外觀材質	ABS		
Wiring method / 出線方式	<b>R3JK-□ KP2</b> <b>R3JK-□ KP2K</b>	Pre-wired Ø4.2 × 2 M / 4-cores M12 Pigtailed type/ M12接頭 15cm電線式	
Weight / 重量	<b>R3JK-□ KP2</b> <b>R3JK-□ KP2K</b>	Approx. 80g Approx. 45g	Approx. 150g Approx. 80g

◆ **Dimensions/尺寸圖:**

R3JK-□KP2

R3JK-□KP2K



**勝特力材料 886-3-5753170**  
**勝特力电子(上海) 86-21-54151736**  
**勝特力电子(深圳) 86-755-83298787**  
[Http://www.100y.com.tw](http://www.100y.com.tw)

## ◆ Shape/外觀:



## ◆ Specifications/規格表:

Model / 型號	R3JK-DU50A3	R3JK-R5A3	R3JK-10A3 R3JK-30A3
Sensing type / 檢出方式	Diffuse reflection / 擴散反射式	Retro reflection / 鏡片反射式	Through beam / 對照式
Sensing distance / 檢出距離	50 cm	5M	10M/30M
Emitting light / 發光源	850 nm.		
Operating voltage / 工作電壓	AC: 90 ~ 260 VAC DC: 20~30VDC		
Current Consumption / 消耗電流	25 mA max.		
Output Current / 輸出電流	Relay : 30 VDC 5A/ 125VAC 5A		
Output Type / 輸出模式	Relay out Com./NO.		
Response time / 反應時間	1.5 ms max.		
Insulation resistance / 隔離阻抗	20M Ω min. 500VDC		
Voltage withstandability / 絕緣耐壓	1000VAC for 1 minute		
Operating temperature / 工作溫度	- 20 °C ~ + 60 °C		
Ambient humidity / 工作溼度	35%~85% RH		
Protection degree / 防水等級	IP65		
Material / 外觀材質	ABS		
Wiring method / 出線方式	Pre-wired Ø4.2 × 2 M / 4-cores		
Weight / 重量	Approx. 85g		Approx. 165g

## ◆ Dimensions/尺寸圖:

