

◆Characteristic / 特點：

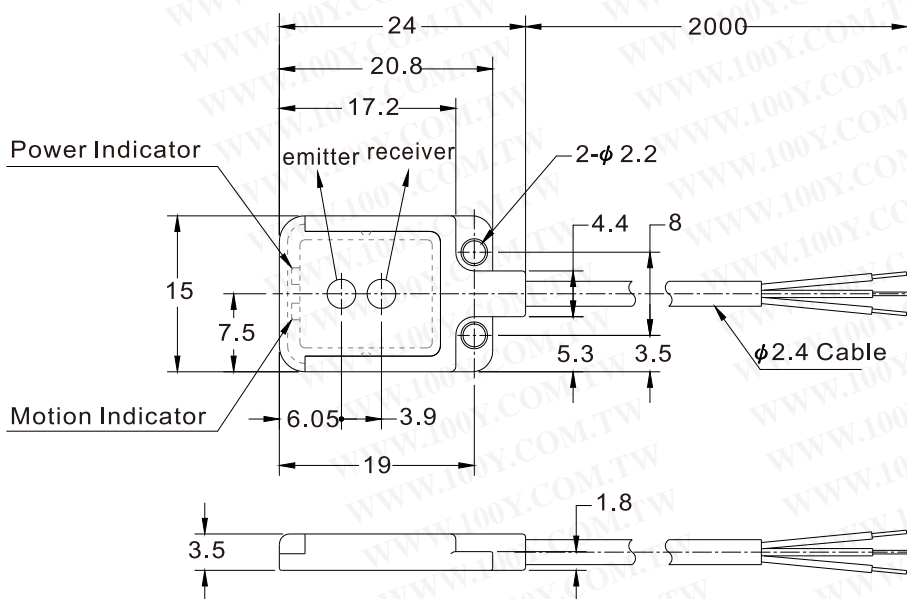
- Ultra slim body(only 3.5mm thickness). Easy to be mounted.
/體積薄(3.5mm)，容易安裝。
- Built-in amplifier, supply voltage DC 12 to 24V. To Control output directly.
/供應電源12-24V，內藏放大器，直接控制輸出。
- Transistor output 100mA.
/晶體輸出100mA。



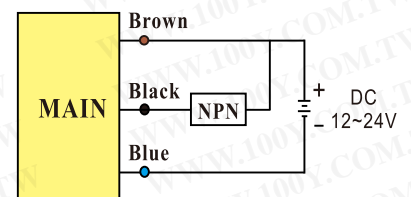
◆Specifications / 規格表：

| Model / 型號 | PK5-DU03N | PK5-DU03P |
|---------------------------------|--|-----------|
| Sensing type / 檢出方式 | Diffuse reflection / 擴散反射式 | |
| Sensing distance / 檢出距離 | 3 cm，白板 100x100 (3.5cm) | |
| Emitting light / 發光源 | Red LED 632 nm | |
| Operating voltage / 工作電壓 | DC12 ~ 24 V±10% (Ripple P-P : 10% Max.) | |
| Current Consumption / 消耗電流 | 15 mA Max. | |
| Load current / 負載電流 | 100mA Max. at DC24V | |
| Output type / 輸出模式 | NPN L.on | PNP L.on |
| Protection circuit / 保護電路 | Reversed supply circuit protection, short circuit protection output 電源反接保護及輸出短路保護 | |
| Response time / 反應時間 | 0.5 ms Max. | |
| Insulation resistance / 隔離阻抗 | 20MΩ min. (DC500V) | |
| Voltage withstandability / 絕緣耐壓 | AC1000V 60Hz for 60 Sec. | |
| Operating temperature / 工作時溫度 | -10°C ~ + 45°C (No freezing allowed不可結霜,結冰) | |
| Ambient humidity / 工作時溼度 | 35% ~ 85% RH 相對溼度 | |
| Storage temperature / 儲存時溫度 | -10°C ~ + 55°C (No freezing allowed不可結霜,結冰) | |
| Storage humidity / 儲存時溼度 | 35% ~ 95% RH 相對溼度 | |
| Protection degree / 防水等級 | IP64 | |
| Material / 外觀材質 | ABS | |
| Wiring method / 出線方式 | Ø2.4 x 2 M / 3-wires | |
| Weight / 重量 | Approx. 20g | |

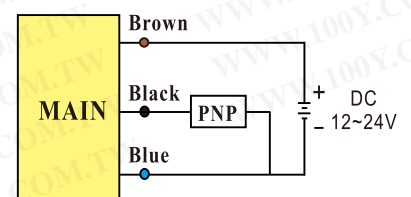
◆Dimensions/尺寸圖：



NPN Type



PNP Type



勝特力材料 886-3-5753170
 勝特力电子(上海) 86-21-34970699
 勝特力电子(深圳) 86-755-83298787
[Http://www.100y.com.tw](http://www.100y.com.tw)

Micro-sized Flat Photo Sensor

PK5

◆Characteristic / 特點 :

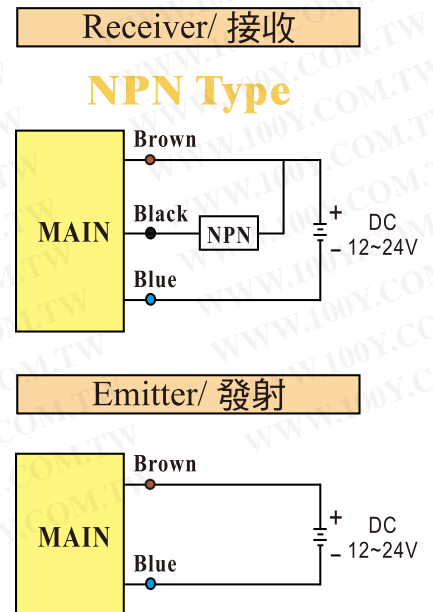
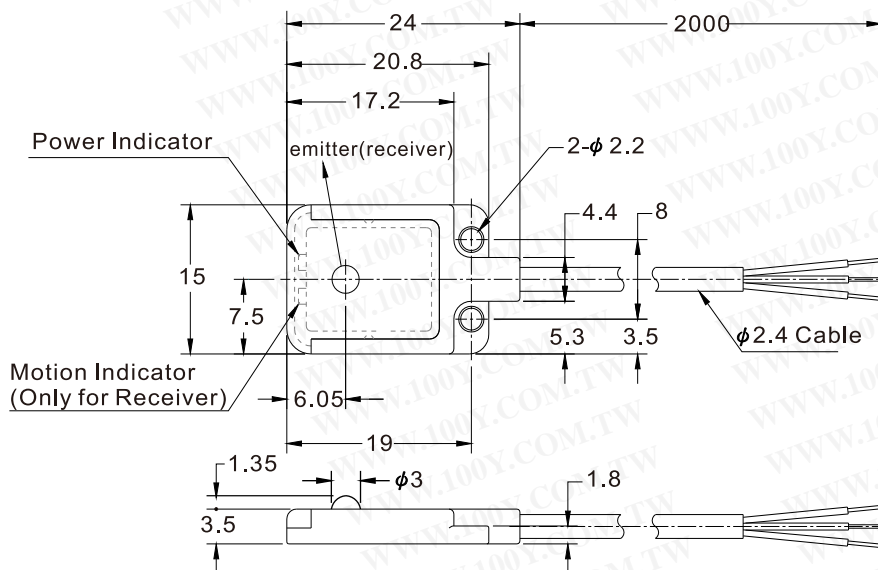
- Ultra slim body(only 3.5mm thickness). Easy to be mounted.
/體積薄(3.5mm)，容易安裝。
- Visible dual LED indicators.
/清晰易見的雙LED指示燈。
- High-speed response time : 0.5ms.
/高速反應0.5ms。



◆Specifications / 規格表 :

| Model / 型號 | PK5-1N | PK5-1P |
|---------------------------------|--|---------------------------------|
| Sensing type / 檢出方式 | Through beam / 對照式 | |
| Sensing distance / 檢出距離 | 1M | |
| Emitting light / 發光源 | Infrared LED 940nm | |
| Operating voltage / 工作電壓 | DC12 ~ 24 V±10% (Ripple P-P : 10% Max) | |
| Current Consumption / 消耗電流 | 15 mA Max. | |
| Load current / 負載電流 | 100mA Max. at DC24V | |
| Output type / 輸出模式 | NPN D.on | PNP D.on |
| Protection circuit / 保護電路 | Reversed supply circuit protection, short circuit protection output 電源反接保護及輸出短路保護 | |
| Response time / 反應時間 | 0.5 ms Max. | |
| Insulation resistance / 隔離阻抗 | 20MΩ min. (DC500V) | |
| Voltage withstandability / 絕緣耐壓 | AC1000V 60Hz for 60 Sec. | |
| Operating temperature / 工作時溫度 | -10°C ~ +45°C (No freezing allowed不可結霜,結冰) | |
| Ambient humidity / 工作時溼度 | 35% ~ 85% RH 相對溼度 | |
| Storage temperature / 儲存時溫度 | -10°C ~ +55°C (No freezing allowed不可結霜,結冰) | |
| Storage humidity / 儲存時溼度 | 35% ~ 95% RH 相對溼度 | |
| Protection degree / 防水等級 | IP64 | |
| Material / 外觀材質 | ABS | |
| Wiring method / 出線方式 | RX:Pre-wired / Ø2.4x2 M 3-wires | TX:Pre-wired / Ø2.4x2 M 2-wires |
| Weight / 重量 | Approx.40g | |

◆Dimensions/尺寸圖 :



Fiber

Photo Sensor

Area Sensor

Ultrasonic Sensors

Inductive Proximity Sensor

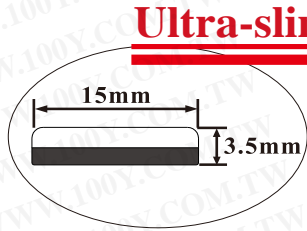
Capacitive Proximity Sensor

Timer / Counter

Others

Accessories

◆ Microminiature body with 3.5mm thickness only. ◆ Visible LED indicators.

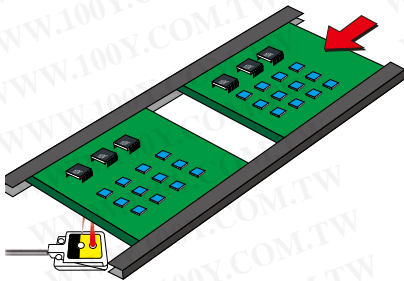


Dual LED indicators.
Green : Power indicator.
Red : Motion indicator.

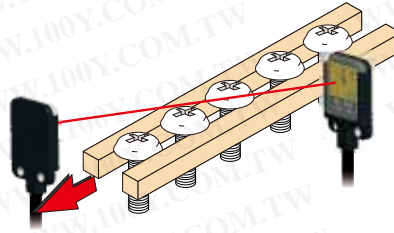


◆ Application / 應用例

PCB detection.



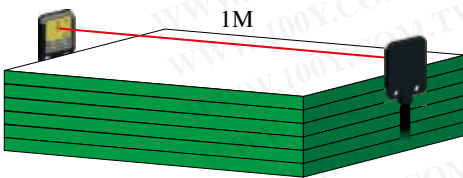
To detect the screws in conveyer.



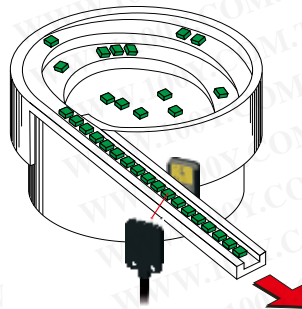
To detect the steel balls passing inside the glass tube.



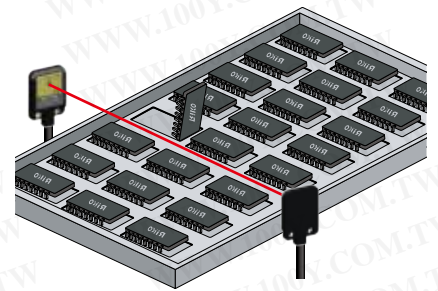
Long sensing distance : 1M



To detect the objects in conveyer.



Detecting unseated IC.



勝特力材料 886-3-5753170
 勝特力电子(上海) 86-21-34970699
 勝特力电子(深圳) 86-755-83298787
[Http://www.100y.com.tw](http://www.100y.com.tw)