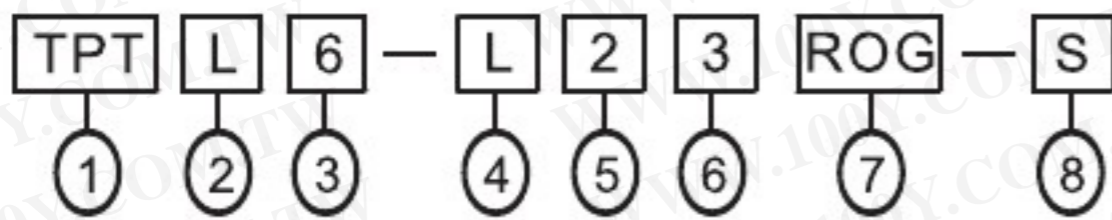


■ 特性

- 天得積層式警示燈可裝設於各種機械,以燈光及警鳴聲警示各種突發狀況,可依客戶不同的需求訂製適用的型式及規格.
- 內含彈簧緩衝及抗震設計,可大幅降低燈泡因機台劇烈的震動而損壞的機率.
- 接線自由性高,燈泡的閃滅或常亮及蜂鳴器的鳴聲為間歇或長鳴皆可自由配線改變.
- 鎢絲燈泡及LED燈泡燈座同為BA15S可自由互換.
- 含蜂鳴器的機種,其蜂鳴聲音量約為80dB/1m.
- 固定方式有盤式及桿式,並且有多種腳座可提供選擇.

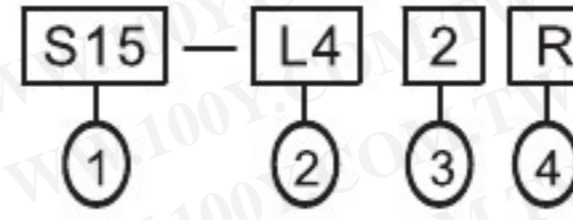
勝特力材料 886-3-5753170
 勝特力电子(上海) 86-21-34970699
 勝特力电子(深圳) 86-755-83298787
[Http://www.100y.com.tw](http://www.100y.com.tw)

■ 型號說明



項次	代號	說明
1.固定方式	TPT TPW TPF TPFQ TPA TPS	桿式 盤式 可折式(圓形鐵盤) 可折式(方形鐵盤) 側掛式 桿盤式
2.功能	L F S B	標準型 閃光型 閃光蜂鳴型 蜂鳴型
3.外徑大小	4 5 6 7	∅40mm (無TPF、TPFQ) ∅50mm ∅60mm ∅70mm
4.燈泡總類	空白 L	鎢絲燈泡 LED
5.使用電壓	1 2 7 9	110VAC 220VAC 24VAC/DC 12VAC/DC
6.燈數	1~5	1~5
7.燈殼顏色	R O G B W	紅 橙 綠 藍 白
8.鋁管長(外露)	空白 S	標準長, TPT:288mm, TPF:43mm 特殊長, TPT:138mm 特殊長, TPF:193mm

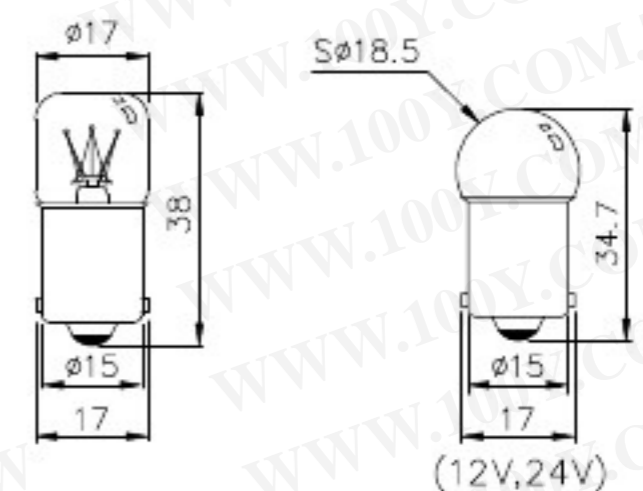
■ 燈泡型號說明



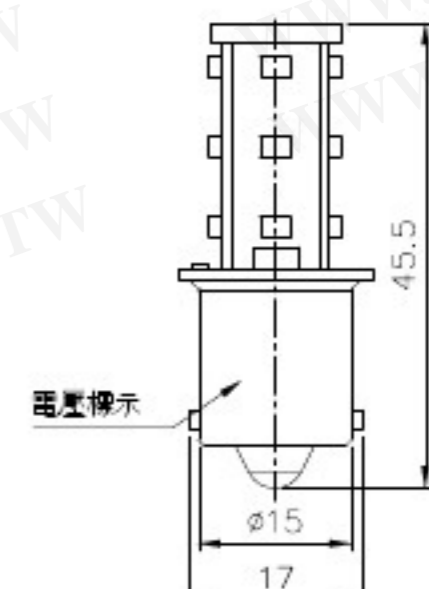
項次	代號	說明
1.燈座型式	S15	BA15S燈泡
2.適用燈殼外徑	I4	∅40mm用, 5W鎢絲燈泡
	I5	∅50mm用, 10W鎢絲燈泡
	I6	∅60mm/∅70mm用, 10W鎢絲燈泡
	L5	LED燈泡 (全系列)
3.電壓	1	110VAC
	2	220VAC
	7	24VAC/DC
	9	12VAC/DC
4.燈泡顏色	空白	鎢絲燈泡
	R O G B W	紅 橙 綠 藍 白 LED 燈泡

■ 燈泡外觀尺寸

鎢絲燈泡
S15-I□□



LED燈泡
S15-L5□□



■ 燈泡及蜂鳴器額定電流(僅供參考)

鎢絲燈泡	
S15-I49(12VAC/DC)	0.5A
S15-I47(24VAC/DC)	0.25A
S15-I41(110VAC)	0.05A
S15-I42(220VAC)	0.03A
S15-I59(12VAC/DC)	0.7A
S15-I57(24VAC/DC)	0.35A
S15-I51(110VAC)	0.06A
S15-I52(220VAC)	0.03A
S15-I69(12VAC/DC)	0.8A
S15-I67(24VAC/DC)	0.4A
S15-I61(110VAC)	0.08A
S15-I62(220VAC)	0.04A

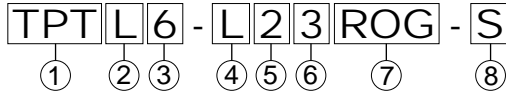
LED 燈泡	
S15-L59(12VDC)	0.08A
S15-L59(12VAC)	0.15A
S15-L57(24VDC)	0.05A
S15-L57(24VAC)	0.07A
S15-L51(110VAC)	0.02A
S15-L52(220VAC)	0.02A

蜂鳴器	
12V AC/DC	0.08A
24V AC/DC	0.02A
110V AC	0.01A
220V AC	0.01A

FEATURES

- ◆ Tend tower light can be installed in any machine as a status indicator by showing the color change of light and audible alarm.
- ◆ Tower light can be customer-made to meet different needs.
- ◆ Internal spring suspension can avoid damage to the bulb due to machines vibration.
- ◆ Flexible wiring design : Steady, flashing of alarm are achievable through wiring by end user.
- ◆ Audio alarm buzzes at 90 db/30 cm.
- ◆ Both bulb base for incandescent bulb & LED is BA15S. So it is easy to change bulb type.

MODEL DESIGNATIONS



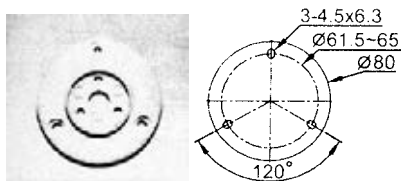
Item	Signal	Description
1.Mounting Method	TPT	Pole Mount
	TPW	Tray Mount
	TPF	Tented Type
	TPA	Side Hitch Type
2.Functional	L	Continuous light
	F	Continuous or flashing light
	S	Continuous or flashing light with audible alarm
	B	Audible alarm light
3.Diameter	4	Ø40 mm (NO TPFL)
	5	Ø50 mm
	6	Ø60 mm
	7	Ø70 mm
4.Bulb	Space	Incandescent
	L	LED
5.Voltage	1	110 VAC
	2	220 VAC
	7	24 VAC/DC
	9	12 VAC/DC
6.Section	1 - 5	1 - 5
	R	Red
7.Lens	O	Orange
	G	Green
	B	Blue
	W	White
	8.Aluminum Tube Length	Space
	S	Special Length, TPT : 138 mm Special Length, TPF : 193 mm

Rated Current for Bulbs and Buzzers (Reference Only)

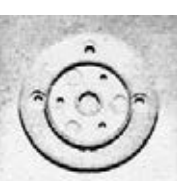
Incandescent	PRICE
S15-I49 (12VAC/DC)	0.5A
S15-I47 (24VAC/DC)	0.25A
S15-I41 (110VAC)	0.05A
S15-I42 (220VAC)	0.03A
S15-I59 (12VAC/DC)	0.7A
S15-I57 (24VAC/DC)	0.35A
S15-I51 (110VAC)	0.06A
S15-I52 (220VAC)	0.03A
S15-I69 (12VAC/DC)	0.8A
S15-I67 (24VAC/DC)	0.4A
S15-I61 (110VAC)	0.08A
S15-I62 (220VAC)	0.04A

Mounting Holes - Tray Mount

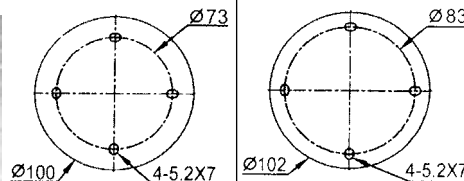
TPW□4 / TPW□5



TPW□6

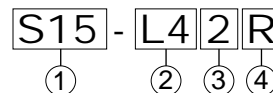


TPW□7



ราคาอะไหล่
Flashing Board
บอร์ดกระพริบ
TPTL-L LENS
เลนส์

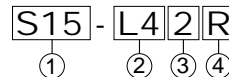
BULB MODEL DESIGNATIONS



Item	Signal	Description
1.Base Type	S15	BA15S Bulb
2.Lens Diameter	I4	Ø40 mm 5W Incandescent
	I5	Ø50 mm 8W Incandescent
	I6	Ø60 mm / 70 mm 10W Incandescent
	L4	Ø40 mm LED
3. Voltage	L5	Ø50 mm / Ø60 mm / Ø70 mm, LED
	1	110 VAC
	2	220 VAC
	7	24 VAC/DC
4.Color	9	12 VAC/DC
	Space	Incandescent
	R	Red LED
	O	Orange LED
	G	Green LED
	B	Blue LED
	W	White LED

LED Lamp for Tower Light

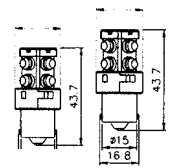
MODEL DESIGNATIONS



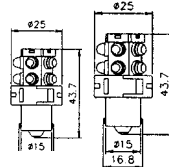
Item 5	Signal	Description
1.Base Type	S15	BA15S base
2.Lamp type	L4	LED x 8
	L5	LED x 15
3. Voltage	1	110 VAC/DC
	2	220 VAC/DC
	7	24 VAC/DC
	9	12 VAC/DC
4. Color	R	Red LED
	O	Orange LED
	G	Green LED
	BL	Blue LED

LAMP DIMENSIONS

S15-L4



S15-L5



S15-L4 : for TWR-08 only S15-L5 : for TWF-10 and TWF-12

	PRICE	PRICE	
		R,O	G,W,BL
S15-L49 (12VAC/DC)	0.1A		
S15-L47 (24VAC/DC)	0.03A		
S15-L41 (110VAC)	0.02A		
S15-L42 (220VAC)	0.02A		
S15-L59 (12VAC/DC)	0.15A		
S15-L57 (24VAC/DC)	0.04A		
S15-L51 (110VAC)	0.02A		
S15-L52 (220VAC)	0.02A		

Buzzer	PRICE
12 V AC/DC	0.08A
24 V AC/DC	0.02A
110 V AC	0.01A
220 V AC	0.01A