

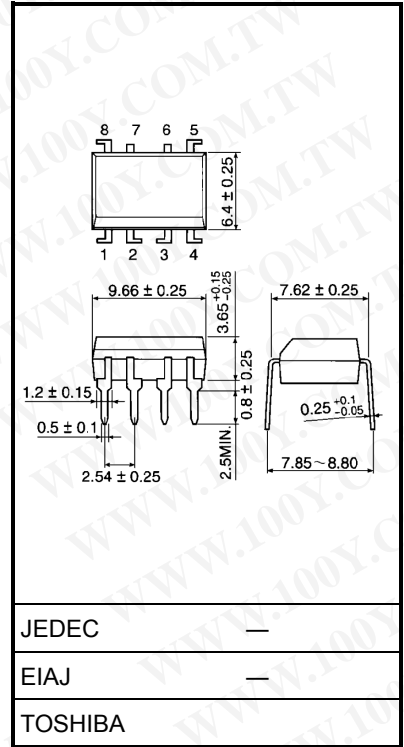
TOSHIBA Photocoupler GaAs Ired & Photo-MOS FET

TLP3540

Memory Testers
 Logic IC Testers
 Data Recording Equipment
 Measuring Equipment

勝特力材料 886-3-5753170
 勝特力电子(上海) 86-21-34970699
 勝特力电子(深圳) 86-755-83298787
[Http://www.100y.com.tw](http://www.100y.com.tw)

Unit in mm

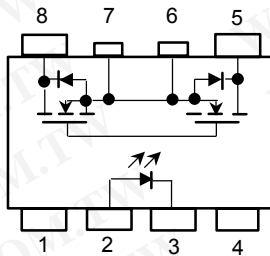


Weight: 0.54 g

TLP3540 is a photorelay and consists of a GaAs infrared emitting diode optically coupled to a photo-MOSFET in a 8-pin DIP package (DIP8). This photorelay has characteristics of low-on resistance when it turns on. It is suitable for 48 V power line on / off switches.

- 1-form-A
- Peak off-state voltage: 60V(min.)
- Trigger LED current: 5mA(max.)
- On-state current: 2A(max.)
- On-state resistance: 120mΩ(max.)
- Isolation voltage: 1500V_{rms}(min.)

Pin Configuration (top view)



- 1 : NC
- 2 : Anode
- 3 : Cathode
- 4 : NC
- 5 : Drain
- 6 : Source (shorten a pin)
- 7 : Source (shorten a pin)
- 8 : Drain

Maximum Ratings (Ta = 25°C)

Characteristic		Symbol	Rating	Unit
LED	Forward current	I_F	50	mA
	Reverse voltage	V_R	6	V
	Junction temperature	T_j	125	°C
Detector	Off-state output voltage	V_{OFF}	60	V
	On-state current	I_{ON}	2	A
	Junction temperature	T_j	125	°C
Storage temperature		T_{stg}	-55~125	°C
Operating temperature		T_{opr}	-20~85	°C
Lead solder temperature (10 s)		T_{sol}	260	°C
Isolation voltage (AC, 1 min., R.H.≤ 60%) (Note 1)		BV_S	1500	V_{rms}

(Note 1): Device considered a two-terminal device: Pins 1, 2, 3 and 4 shorted together and pins 5 and 8 shorted together.

Recommended Operating Conditions

Characteristic	Symbol	Min.	Typ.	Max.	Unit
Supply voltage	V_{OFF}	—	—	48	V
Forward current	I_F	10	—	30	mA
On-state current	I_{ON}	—	—	2	A
Operating temperature	T_{opr}	25	—	50	°C

Individual Electrical Characteristics (Ta = 25°C)

Characteristic		Symbol	Test Condition	Min.	Typ.	Max.	Unit
LED	Forward voltage	V_F	$I_F = 20 \text{ mA}$	1.0	1.2	1.4	V
	Reverse voltage	I_R	$V_R = 6 \text{ V}$	—	—	10	μA
	Capacitance	C_T	$V = 0, f = 1 \text{ MHz}$	—	15	—	pF
Detector	Off-state current	I_{OFF}	$V_{OFF} = 20 \text{ V}, T_a = 50^\circ\text{C}$	—	1.0	4.0	nA
	Capacitance	C_{OFF}	$V = 0, f = 1 \text{ MHz}$	—	600	1400	pF

Coupled Electrical Characteristics (Ta = 25°C)

Characteristic	Symbol	Test Condition	Min.	Typ.	Max.	Unit
Trigger LED current	I_{FT}	$I_{ON} = 1 \text{ A}$	—	—	5	mA
On-state resistance	R_{ON}	$I_{ON} = 1 \text{ A}, I_F = 10 \text{ mA}$	—	—	0.12	Ω

Isolation Characteristics (Ta = 25°C)

Characteristic	Symbol	Test Condition	Min.	Typ.	Max.	Unit
Capacitance input to output	C _S	V _S = 0V, f = 1 MHz	—	0.8	—	pF
Isolation resistance	R _S	V _S = 500 V, R.H. ≤ 60%	5×10 ¹⁰	10 ¹⁴	—	Ω
Isolation voltage	BV _S	AC, 1 minute	1500	—	—	V _{rms}
		AC, 1 second (in oil)	—	3000	—	
		DC, 1 minute (in oil)	—	3000	—	V _{dc}

Switching Characteristics (Ta = 25°C)

Characteristic	Symbol	Test Condition	Min.	Typ.	Max.	Unit
Turn-on time	t _{ON}	R _L = 200Ω (Note2)	—	—	5	ms
Turn-off time	t _{OFF}	V _{DD} = 20 V, I _F = 15 mA	—	—	3	

(Note 2): Switching time test circuit



RESTRICTIONS ON PRODUCT USE

000707EBC

- TOSHIBA is continually working to improve the quality and reliability of its products. Nevertheless, semiconductor devices in general can malfunction or fail due to their inherent electrical sensitivity and vulnerability to physical stress. It is the responsibility of the buyer, when utilizing TOSHIBA products, to comply with the standards of safety in making a safe design for the entire system, and to avoid situations in which a malfunction or failure of such TOSHIBA products could cause loss of human life, bodily injury or damage to property.
In developing your designs, please ensure that TOSHIBA products are used within specified operating ranges as set forth in the most recent TOSHIBA products specifications. Also, please keep in mind the precautions and conditions set forth in the "Handling Guide for Semiconductor Devices," or "TOSHIBA Semiconductor Reliability Handbook" etc..
- The TOSHIBA products listed in this document are intended for usage in general electronics applications (computer, personal equipment, office equipment, measuring equipment, industrial robotics, domestic appliances, etc.). These TOSHIBA products are neither intended nor warranted for usage in equipment that requires extraordinarily high quality and/or reliability or a malfunction or failure of which may cause loss of human life or bodily injury ("Unintended Usage"). Unintended Usage include atomic energy control instruments, airplane or spaceship instruments, transportation instruments, traffic signal instruments, combustion control instruments, medical instruments, all types of safety devices, etc.. Unintended Usage of TOSHIBA products listed in this document shall be made at the customer's own risk.
- Gallium arsenide (GaAs) is a substance used in the products described in this document. GaAs dust and fumes are toxic. Do not break, cut or pulverize the product, or use chemicals to dissolve them. When disposing of the products, follow the appropriate regulations. Do not dispose of the products with other industrial waste or with domestic garbage.
- The products described in this document are subject to the foreign exchange and foreign trade laws.
- The information contained herein is presented only as a guide for the applications of our products. No responsibility is assumed by TOSHIBA CORPORATION for any infringements of intellectual property or other rights of the third parties which may result from its use. No license is granted by implication or otherwise under any intellectual property or other rights of TOSHIBA CORPORATION or others.
- The information contained herein is subject to change without notice.

This datasheet has been download from:

www.datasheetcatalog.com

Datasheets for electronics components.