

# 2570 Series Wire To Board (Single Row)

## 2570S Housing



Circuits: 2P~15P  
 Material :PBT. 66 94V-0(Brick)  
 Accept Terminal : 2573T  
 Mate Header : 2571P & 2572P

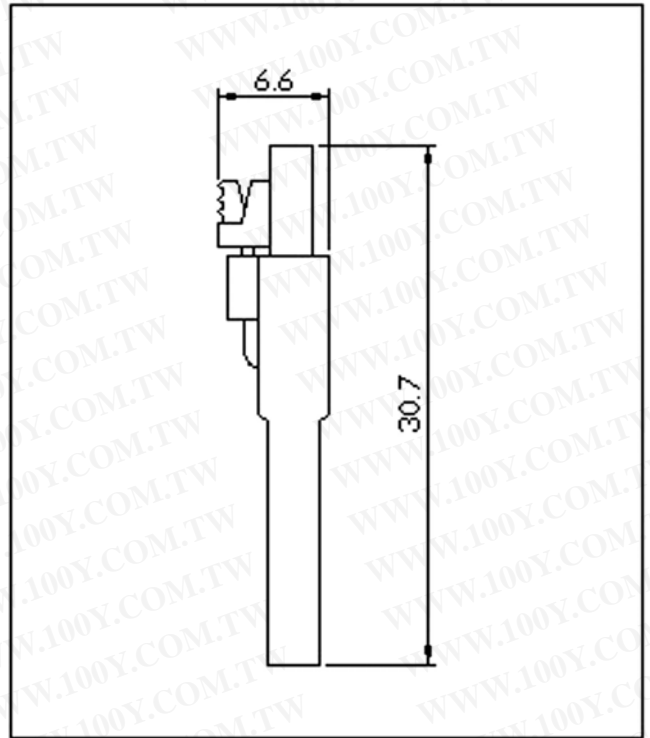
### 產品備註:

UL File No. : E 159426  
 CSA File No. : LR 102762

### 規格說明:

Current Rating : 3A AC,DC(AWG 24)  
 Voltage Rating : 250V AC,DC  
 Withstand Voltage : 600V AC/Minute  
 Contact Resistance : 15mΩ Max.  
 Insulation Resistance : 1000MΩ Min.  
 Temperature Range : -40°C to +120°C  
 Applicable PC Board Thickness : 1.6mm

### ASSEMBLY LAYOUT



### Ordering Information

Circuits	Part No.	Dimension	
		A	B
2	2570S0203	2.54	5.1
3	2570S0303	5.08	7.6
4	2570S0403	7.62	10.2
5	2570S0503	10.16	12.7
6	2570S0603	12.70	15.2
7	2570S0703	15.24	17.8
8	2570S0803	17.78	20.3
9	2570S0903	20.32	22.9
10	2570S1003	22.86	25.4
11	2570S1103	25.40	27.9
12	2570S1203	27.94	30.5
13	2570S1303	30.48	33.0
14	2570S1403	33.02	35.6
15	2570S1503	35.56	38.1

勝特力材料 886-3-5753170  
 勝特力电子(上海) 86-21-54151736  
 勝特力电子(深圳) 86-755-83298787  
[Http://www.100y.com.tw](http://www.100y.com.tw)

