

2570 Series Wire To Board (Single Row)

2571P & 2572P Header



Circuits: 2P~15P
 Material: PBT, 94V-0(Bracket)
 Brass gold-Plated
 Mate Housing : 2570S

產品備註:

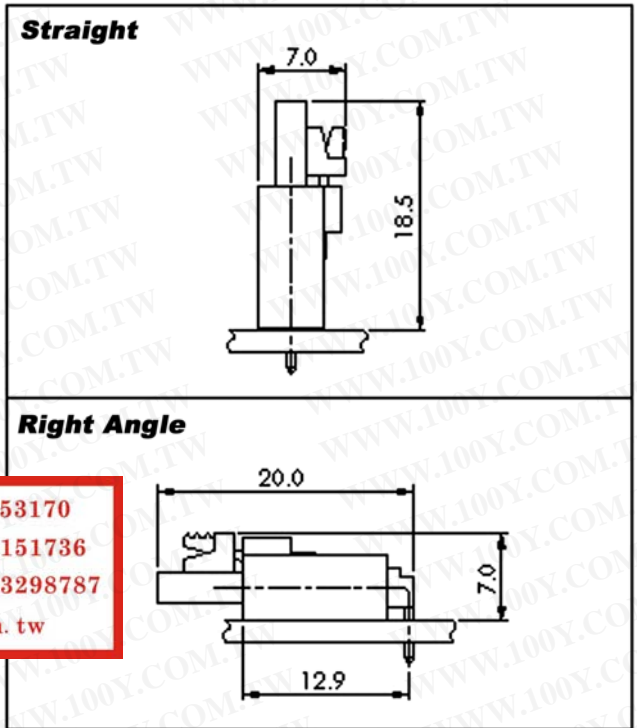
UL File No. : E 159426
 CSA File No. : LR 102762

勝特力材料 886-3-5753170
 勝特力电子(上海) 86-21-54151736
 勝特力电子(深圳) 86-755-83298787
[Http://www.100y.com.tw](http://www.100y.com.tw)

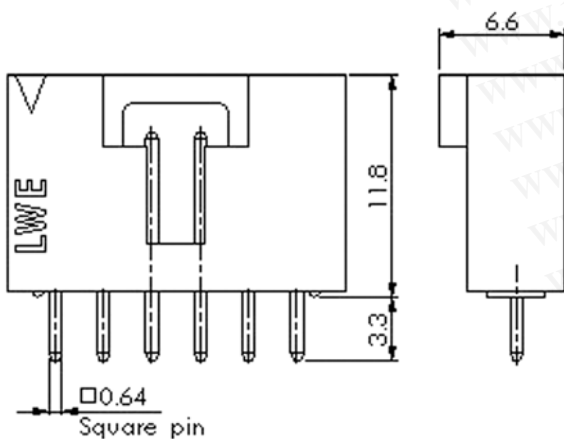
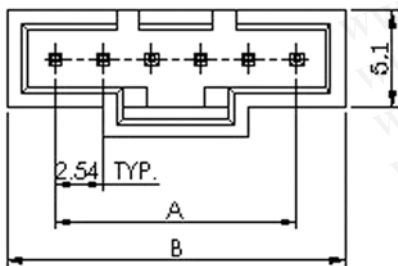
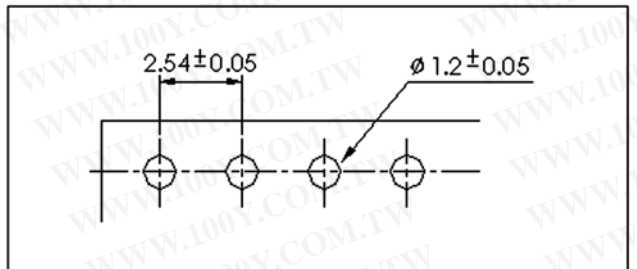
規格說明:

Current Rating : 3A AC,DC(AWG 24)
 Voltage Rating : 250V AC,DC
 Withstand Voltage : 600V AC/Minute
 Contact Resistance : 15mΩ Max.
 Insulation Resistance : 1000MΩ Min.
 Temperature Range : -40°C to +120°C
 Applicable PC Board Thickness : 1.6mm

ASSEMBLY LAYOUT



PC BOARD LAYOUT



Ordering Information

Circuits	Part No.		Dimension	
	Straight	Right Angle	A	B
2	2571P0203X	2572P0203X	2.54	7.6
3	2571P0303X	2572P0303X	5.08	10.1
4	2571P0403X	2572P0403X	7.62	12.7
5	2571P0503X	2572P0503X	10.16	15.2
6	2571P0603X	2572P0603X	12.70	17.8
7	2571P0703X	2572P0703X	15.24	20.3
8	2571P0803X	2572P0803X	17.78	22.8
9	2571P0903X	2572P0903X	20.32	25.4
10	2571P1003X	2572P1003X	22.86	27.9
11	2571P1103X	2572P1103X	25.40	30.5
12	2571P1203X	2572P1203X	27.94	33.0
13	2571P1303X	2572P1303X	30.48	35.5
14	2571P1403X	2572P1403X	33.02	38.1
15	2571P1503X	2572P1503X	35.56	40.6