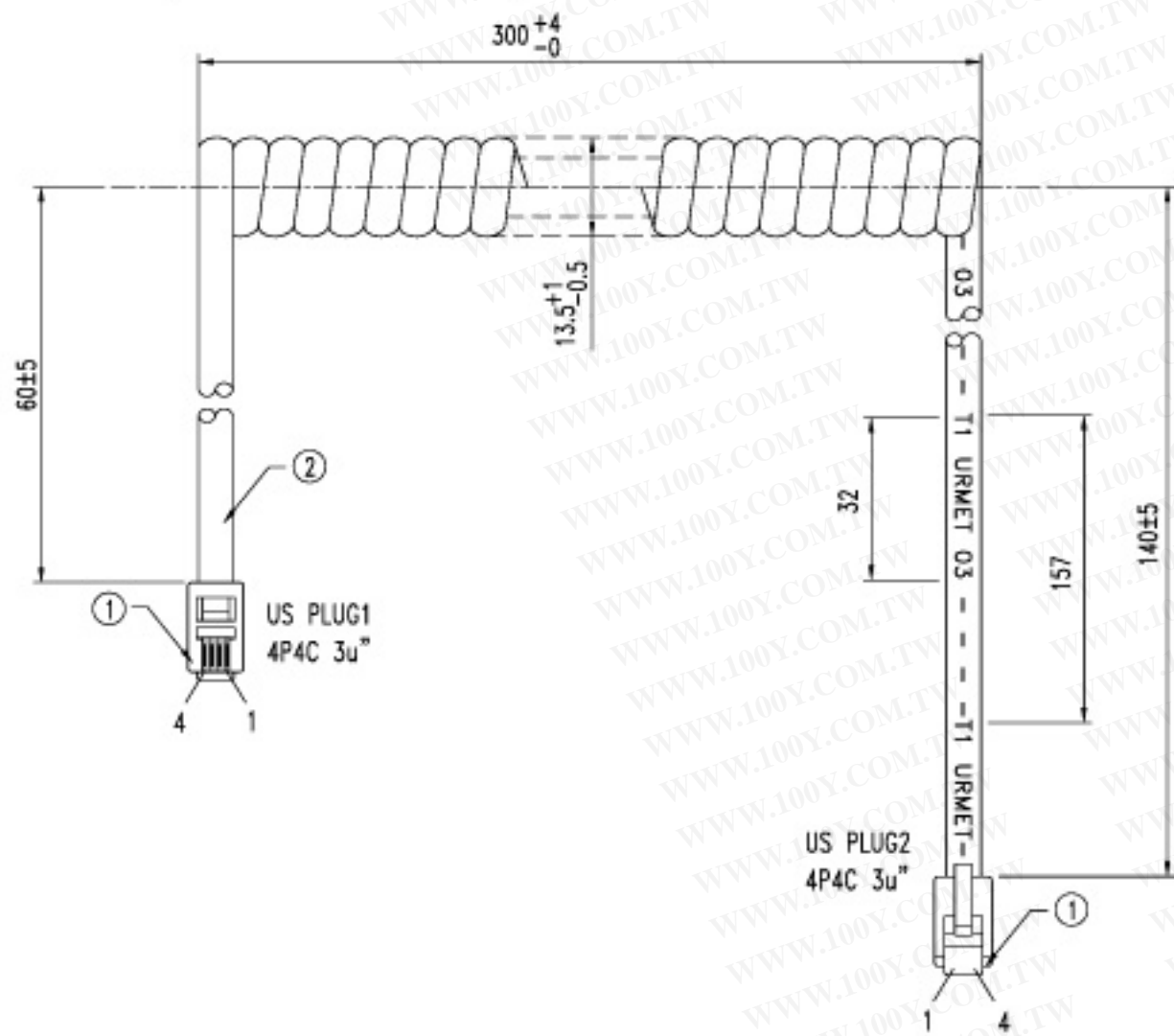


CUST: _____ DWG NO.: _____

REVISION	DATE	APP.
△		
△		
△		



US PLUG1	US PLUG2	COLOR
1	4	BLUE
2	3	WHITE
3	2	RED
4	1	BROWN

勝特力材料 886-3-5753170
 勝特力电子(上海) 86-21-54151736
 勝特力电子(深圳) 86-755-83298787
[Http://www.100y.com.tw](http://www.100y.com.tw)

PART		NAME	DESCRIPTION	QTY	COLOR	MATERIAL	VENDER	REMARK
2	CABLE	TINSEL 2 LAYER COPPER FOLDS 4CBL WH RD BR DD-2.3X4.8 ID-#0.95+0.05		1	BLACK SEMI-SHINE	JACKET: PVC INSULATOR: PP		
1	US PLUG	4P4C		2	TRANSPARENT	PC		GOLD PLATED 3u'

ISSUE: A	TITLE: US PLUG TO PLUG WITH WINDING CORD
SHEET: 1/1	SIZE: A4
SCALE: 1:1	UNIT: MM
DRAW: CATHY	DATE: 02.01.04'
CHECK:	APPROVE: