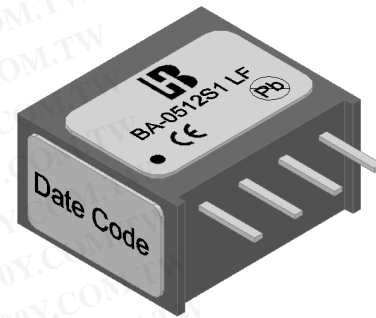


1. Features :

- 1.1. 4 Pin SIL Package
- 1.2. 100 % Burn-In
- 1.3. Low Ripple and Noise
- 1.4. Input / Output Isolation : 1000 Vdc
- 1.5. Net Weight : 1.4 g Typical
- 1.6. RoHS Converter Certified By SGS

勝特力材料 886-3-5753170
 勝特力电子(上海) 86-21-34970699
 勝特力电子(深圳) 86-755-83298787
[Http://www.100y.com.tw](http://www.100y.com.tw)

**2. Input Specification :**

- | | | |
|--------------------------|----------------------|---------------------------------------|
| 2.1. Input Voltage | : 4.5 ~ 5.5 Vdc | 5V \pm 10 % |
| 2.2. Max. Input Current | : 260 mA Max. | @ Vin = 5V and Output at Full Load. |
| 2.3. Quiescent Current | : 22 mA Typical | @ Vin = 5V and No Load. |
| 2.4. Input Filter | : Internal Capacitor | |
| 2.5. Switching Frequency | : 80 KHz Typ. | |
| 2.6. Input Efficiency | : 77 % Min. | @ Vin = 5V and 100% Load. (81% Typ.) |

3. Output Specification :

- | | | |
|------------------------------------|-----------------------------------|-------------------------------------|
| 3.1. Output Voltage | : 12 Vdc | @ Vin = 5V and Output at Full Load. |
| 3.2. Output Voltage Accuracy | : \pm 5 % | Vo = 11.4 ~ 12.6 Vdc, |
| 3.3. Output Current | : 84 mA Max. | |
| 3.4. Ripple & Noise | : 100 mVp-p Max. | @ 20 MHz BW |
| 3.5. Line Regulation | : 1.2 %/1.0% Max. | See Note (1). |
| 3.6. Load Regulation | : 8 % Max. | See Note (2). |
| 3.7. Output Short circuit duration | : 1 Second Max | |
| 3.8. Temperature Coefficient | : \pm 0.02 %/ $^{\circ}$ C Max. | |

Note :

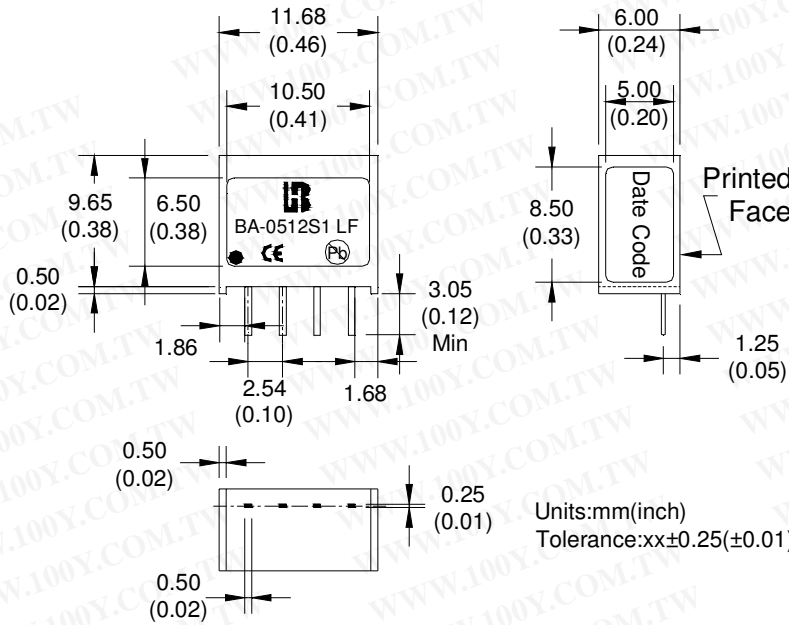
- (1). Line Regulation : Set output load to full load, Then adjust input voltage from 4.5V to 5.5V (10 % Change), The output voltage difference must be within 12 % of the output at full load and nominal input.
- (2). Load Regulation : Set input voltage at 5V, Then changing Output load from 20 % to 100 % rated Load , The output voltage difference must be within 8 % of the output at full load and nominal input.

4. General Specification :

- | | | |
|--------------------------------|--|---|
| 4.1. Isolation Voltage | : 1000 Vdc Min. | Test duration 60 Seconds / 0.5mA |
| 4.2. Isolation Resistance | : 1000 M Ω Min. | @ 500 Vdc |
| 4.3. Operating Temperature (1) | : -40 $^{\circ}$ C ~ +85 $^{\circ}$ C | @ Ambient Temperature with Natural convection |
| 4.4. Operating Temperature (2) | : -40 $^{\circ}$ C ~ +95 $^{\circ}$ C | @ Case Surface Temperature |
| 4.5. Storage Temperature | : -55 $^{\circ}$ C ~ +105 $^{\circ}$ C | |
| 4.6. Humidity | : Up to 90 % | |
| 4.7. Cooling | : Air convection | |
| 4.8. Case Type | : Non-Conductive Plastic | |



5. Mechanical Dimension :

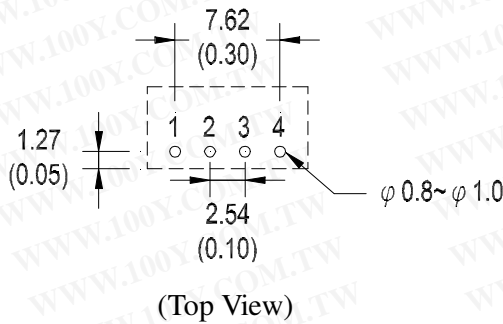


勝特力材料 886-3-5753170
 勝特力电子(上海) 86-21-34970699
 勝特力电子(深圳) 86-755-83298787
[Http://www.100y.com.tw](http://www.100y.com.tw)

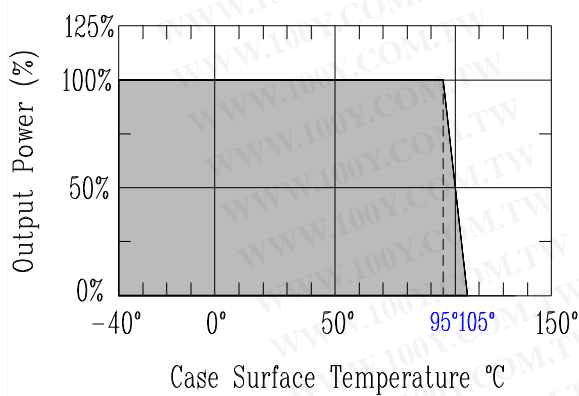
Pin	1K Vdc - Single
1	-Vin
2	+Vin
3	Vo (-)
4	Vo (+)

Note : " --- " means Omitted

6. Recommended footprint details :



7. Power Derating Curve :



8. Efficiency & Output Load Chart :

