



10~18W AC-DC Single Output Wall-mounted type

GS18U series



■ Features :

- Universal AC input / Full range
- No load power consumption < 0.5W
- Pass energy star(CEC) level IV for 5~48V output
- Meet EISA 2007 (Energy Independence and Security Act) for 5 ~ 48V
- 2 pole USA plug
- Class II power (without earth pin)
- Full output 3~48V safety approval
- Protections: Short circuit / Overload / Over voltage
- Fully enclosed plastic case
- LED indicator for power on
- Approvals: UL / CUL / BSMI / CB / FCC
- Pass LPS for 9~48V output
- 2 years warranty



SPECIFICATION

ORDER NO.	GS18U03-P1J	GS18U05-P1J	GS18U07-P1J	GS18U09-P1J	GS18U12-P1J	GS18U15-P1J	GS18U18-P1J	GS18U24-P1J	GS18U28-P1J	GS18U48-P1J																																																																																																															
OUTPUT	<table border="1"> <thead> <tr> <th>SAFETY MODEL NO.</th> <th>GS18U03</th> <th>GS18U05</th> <th>GS18U07</th> <th>GS18U09</th> <th>GS18U12</th> <th>GS18U15</th> <th>GS18U18</th> <th>GS18U24</th> <th>GS18U28</th> <th>GS18U48</th> </tr> </thead> <tbody> <tr> <td>DC VOLTAGE <small>Note.2</small></td> <td>3.3V</td> <td>5V</td> <td>7.5V</td> <td>9V</td> <td>12V</td> <td>15V</td> <td>18V</td> <td>24V</td> <td>28V</td> <td>48V</td> </tr> <tr> <td>RATED CURRENT</td> <td>3.0A</td> <td>3.0A</td> <td>2.0A</td> <td>2.0A</td> <td>1.50A</td> <td>1.20A</td> <td>1.0A</td> <td>0.75A</td> <td>0.64A</td> <td>0.375A</td> </tr> <tr> <td>CURRENT RANGE</td> <td>0 ~ 3.0A</td> <td>0 ~ 3.0A</td> <td>0 ~ 2.0A</td> <td>0 ~ 2.0A</td> <td>0 ~ 1.50A</td> <td>0 ~ 1.20A</td> <td>0 ~ 1.0A</td> <td>0 ~ 0.75A</td> <td>0 ~ 0.64A</td> <td>0 ~ 0.375A</td> </tr> <tr> <td>RATED POWER (max.)</td> <td>10W</td> <td>15W</td> <td>15W</td> <td>18W</td> <td>18W</td> <td>18W</td> <td>18W</td> <td>18W</td> <td>18W</td> <td>18W</td> </tr> <tr> <td>RIPPLE & NOISE (max.) <small>Note.3</small></td> <td>50mVp-p</td> <td>50mVp-p</td> <td>80mVp-p</td> <td>80mVp-p</td> <td>80mVp-p</td> <td>100mVp-p</td> <td>150mVp-p</td> <td>180mVp-p</td> <td>240mVp-p</td> <td>240mVp-p</td> </tr> <tr> <td>VOLTAGE TOLERANCE <small>Note.4</small></td> <td>±5.0%</td> <td>±5.0%</td> <td>±5.0%</td> <td>±5.0%</td> <td>±3.0%</td> <td>±3.0%</td> <td>±3.0%</td> <td>±2.0%</td> <td>±2.0%</td> <td>±2.0%</td> </tr> <tr> <td>LINE REGULATION <small>Note.5</small></td> <td>±1.0%</td> <td>±1.0%</td> <td>±1.0%</td> <td>±1.0%</td> <td>±1.0%</td> <td>±1.0%</td> <td>±1.0%</td> <td>±1.0%</td> <td>±1.0%</td> <td>±1.0%</td> </tr> <tr> <td>LOAD REGULATION <small>Note.6</small></td> <td>±5.0%</td> <td>±5.0%</td> <td>±5.0%</td> <td>±5.0%</td> <td>±3.0%</td> <td>±3.0%</td> <td>±3.0%</td> <td>±2.0%</td> <td>±2.0%</td> <td>±2.0%</td> </tr> <tr> <td>SETUP, RISE, HOLD UP TIME</td> <td colspan="10">500ms, 20ms, 50ms/230VAC 500ms, 20ms, 15ms/115VAC at full load</td> </tr> </tbody> </table>											SAFETY MODEL NO.	GS18U03	GS18U05	GS18U07	GS18U09	GS18U12	GS18U15	GS18U18	GS18U24	GS18U28	GS18U48	DC VOLTAGE <small>Note.2</small>	3.3V	5V	7.5V	9V	12V	15V	18V	24V	28V	48V	RATED CURRENT	3.0A	3.0A	2.0A	2.0A	1.50A	1.20A	1.0A	0.75A	0.64A	0.375A	CURRENT RANGE	0 ~ 3.0A	0 ~ 3.0A	0 ~ 2.0A	0 ~ 2.0A	0 ~ 1.50A	0 ~ 1.20A	0 ~ 1.0A	0 ~ 0.75A	0 ~ 0.64A	0 ~ 0.375A	RATED POWER (max.)	10W	15W	15W	18W	18W	18W	18W	18W	18W	18W	RIPPLE & NOISE (max.) <small>Note.3</small>	50mVp-p	50mVp-p	80mVp-p	80mVp-p	80mVp-p	100mVp-p	150mVp-p	180mVp-p	240mVp-p	240mVp-p	VOLTAGE TOLERANCE <small>Note.4</small>	±5.0%	±5.0%	±5.0%	±5.0%	±3.0%	±3.0%	±3.0%	±2.0%	±2.0%	±2.0%	LINE REGULATION <small>Note.5</small>	±1.0%	±1.0%	±1.0%	±1.0%	±1.0%	±1.0%	±1.0%	±1.0%	±1.0%	±1.0%	LOAD REGULATION <small>Note.6</small>	±5.0%	±5.0%	±5.0%	±5.0%	±3.0%	±3.0%	±3.0%	±2.0%	±2.0%	±2.0%	SETUP, RISE, HOLD UP TIME	500ms, 20ms, 50ms/230VAC 500ms, 20ms, 15ms/115VAC at full load									
SAFETY MODEL NO.	GS18U03	GS18U05	GS18U07	GS18U09	GS18U12	GS18U15	GS18U18	GS18U24	GS18U28	GS18U48																																																																																																															
DC VOLTAGE <small>Note.2</small>	3.3V	5V	7.5V	9V	12V	15V	18V	24V	28V	48V																																																																																																															
RATED CURRENT	3.0A	3.0A	2.0A	2.0A	1.50A	1.20A	1.0A	0.75A	0.64A	0.375A																																																																																																															
CURRENT RANGE	0 ~ 3.0A	0 ~ 3.0A	0 ~ 2.0A	0 ~ 2.0A	0 ~ 1.50A	0 ~ 1.20A	0 ~ 1.0A	0 ~ 0.75A	0 ~ 0.64A	0 ~ 0.375A																																																																																																															
RATED POWER (max.)	10W	15W	15W	18W	18W	18W	18W	18W	18W	18W																																																																																																															
RIPPLE & NOISE (max.) <small>Note.3</small>	50mVp-p	50mVp-p	80mVp-p	80mVp-p	80mVp-p	100mVp-p	150mVp-p	180mVp-p	240mVp-p	240mVp-p																																																																																																															
VOLTAGE TOLERANCE <small>Note.4</small>	±5.0%	±5.0%	±5.0%	±5.0%	±3.0%	±3.0%	±3.0%	±2.0%	±2.0%	±2.0%																																																																																																															
LINE REGULATION <small>Note.5</small>	±1.0%	±1.0%	±1.0%	±1.0%	±1.0%	±1.0%	±1.0%	±1.0%	±1.0%	±1.0%																																																																																																															
LOAD REGULATION <small>Note.6</small>	±5.0%	±5.0%	±5.0%	±5.0%	±3.0%	±3.0%	±3.0%	±2.0%	±2.0%	±2.0%																																																																																																															
SETUP, RISE, HOLD UP TIME	500ms, 20ms, 50ms/230VAC 500ms, 20ms, 15ms/115VAC at full load																																																																																																																								
INPUT	<table border="1"> <tbody> <tr> <td>VOLTAGE RANGE</td> <td colspan="10">90 ~ 264VAC 135 ~ 370VDC</td> </tr> <tr> <td>FREQUENCY RANGE</td> <td colspan="10">47 ~ 63Hz</td> </tr> <tr> <td>EFFICIENCY (Typ.)</td> <td>68%</td> <td>73%</td> <td>79%</td> <td>79%</td> <td>81%</td> <td>81%</td> <td>82%</td> <td>84%</td> <td>84%</td> <td>85%</td> </tr> <tr> <td>AC CURRENT</td> <td colspan="10">0.5A / 100VAC</td> </tr> <tr> <td>INRUSH CURRENT (max.)</td> <td colspan="10">25A / 115VAC</td> </tr> <tr> <td>LEAKAGE CURRENT(max.)</td> <td colspan="10">0.25mA / 240VAC</td> </tr> </tbody> </table>											VOLTAGE RANGE	90 ~ 264VAC 135 ~ 370VDC										FREQUENCY RANGE	47 ~ 63Hz										EFFICIENCY (Typ.)	68%	73%	79%	79%	81%	81%	82%	84%	84%	85%	AC CURRENT	0.5A / 100VAC										INRUSH CURRENT (max.)	25A / 115VAC										LEAKAGE CURRENT(max.)	0.25mA / 240VAC																																																					
VOLTAGE RANGE	90 ~ 264VAC 135 ~ 370VDC																																																																																																																								
FREQUENCY RANGE	47 ~ 63Hz																																																																																																																								
EFFICIENCY (Typ.)	68%	73%	79%	79%	81%	81%	82%	84%	84%	85%																																																																																																															
AC CURRENT	0.5A / 100VAC																																																																																																																								
INRUSH CURRENT (max.)	25A / 115VAC																																																																																																																								
LEAKAGE CURRENT(max.)	0.25mA / 240VAC																																																																																																																								
PROTECTION	<table border="1"> <tbody> <tr> <td>OVERLOAD</td> <td colspan="10">110 ~ 150% rated output power Protection type : Hiccup mode, recovers automatically after fault condition is removed</td> </tr> <tr> <td>OVER VOLTAGE</td> <td colspan="10">105 ~ 150% rated output voltage Protection type : Clamp by zener diode, output short</td> </tr> </tbody> </table>											OVERLOAD	110 ~ 150% rated output power Protection type : Hiccup mode, recovers automatically after fault condition is removed										OVER VOLTAGE	105 ~ 150% rated output voltage Protection type : Clamp by zener diode, output short																																																																																																	
OVERLOAD	110 ~ 150% rated output power Protection type : Hiccup mode, recovers automatically after fault condition is removed																																																																																																																								
OVER VOLTAGE	105 ~ 150% rated output voltage Protection type : Clamp by zener diode, output short																																																																																																																								
ENVIRONMENT	<table border="1"> <tbody> <tr> <td>WORKING TEMP.</td> <td colspan="10">0 ~ +50°C (Refer to output load derating curve)</td> </tr> <tr> <td>WORKING HUMIDITY</td> <td colspan="10">20% ~ 90% RH non-condensing</td> </tr> <tr> <td>STORAGE TEMP., HUMIDITY</td> <td colspan="10">-20 ~ +85°C, 10 ~ 95% RH</td> </tr> <tr> <td>TEMP. COEFFICIENT</td> <td colspan="10">±0.03% / °C (0 ~ 50°C)</td> </tr> <tr> <td>VIBRATION</td> <td colspan="10">10 ~ 500Hz, 2G 10min./1cycle, period for 60min. each along X, Y, Z axes</td> </tr> </tbody> </table>											WORKING TEMP.	0 ~ +50°C (Refer to output load derating curve)										WORKING HUMIDITY	20% ~ 90% RH non-condensing										STORAGE TEMP., HUMIDITY	-20 ~ +85°C, 10 ~ 95% RH										TEMP. COEFFICIENT	±0.03% / °C (0 ~ 50°C)										VIBRATION	10 ~ 500Hz, 2G 10min./1cycle, period for 60min. each along X, Y, Z axes																																																																
WORKING TEMP.	0 ~ +50°C (Refer to output load derating curve)																																																																																																																								
WORKING HUMIDITY	20% ~ 90% RH non-condensing																																																																																																																								
STORAGE TEMP., HUMIDITY	-20 ~ +85°C, 10 ~ 95% RH																																																																																																																								
TEMP. COEFFICIENT	±0.03% / °C (0 ~ 50°C)																																																																																																																								
VIBRATION	10 ~ 500Hz, 2G 10min./1cycle, period for 60min. each along X, Y, Z axes																																																																																																																								
SAFETY & EMC (Note. 7)	<table border="1"> <tbody> <tr> <td>SAFETY STANDARDS</td> <td colspan="10">UL60950-1, CSA C22.2, BSMI, CNS14336 approved</td> </tr> <tr> <td>WITHSTAND VOLTAGE</td> <td colspan="10">I/P-O/P:4242VDC</td> </tr> <tr> <td>ISOLATION RESISTANCE</td> <td colspan="10">I/P-O/P:100M Ohms / 500VDC / 25°C / 70% RH</td> </tr> <tr> <td>EMI CONDUCTION & RADIATION</td> <td colspan="10">Compliance to FCC PART 15 / CISPR22 class B, CNS13438 class B</td> </tr> </tbody> </table>											SAFETY STANDARDS	UL60950-1, CSA C22.2, BSMI, CNS14336 approved										WITHSTAND VOLTAGE	I/P-O/P:4242VDC										ISOLATION RESISTANCE	I/P-O/P:100M Ohms / 500VDC / 25°C / 70% RH										EMI CONDUCTION & RADIATION	Compliance to FCC PART 15 / CISPR22 class B, CNS13438 class B																																																																											
SAFETY STANDARDS	UL60950-1, CSA C22.2, BSMI, CNS14336 approved																																																																																																																								
WITHSTAND VOLTAGE	I/P-O/P:4242VDC																																																																																																																								
ISOLATION RESISTANCE	I/P-O/P:100M Ohms / 500VDC / 25°C / 70% RH																																																																																																																								
EMI CONDUCTION & RADIATION	Compliance to FCC PART 15 / CISPR22 class B, CNS13438 class B																																																																																																																								
OTHERS	<table border="1"> <tbody> <tr> <td>MTBF</td> <td colspan="10">500Khrs min. MIL-HDBK-217F(25°C)</td> </tr> <tr> <td>DIMENSION</td> <td colspan="10">79*54*33mm (L*W*H)</td> </tr> <tr> <td>PACKING</td> <td colspan="10">210g ; 60pcs / 13.5kg / CARTON</td> </tr> </tbody> </table>											MTBF	500Khrs min. MIL-HDBK-217F(25°C)										DIMENSION	79*54*33mm (L*W*H)										PACKING	210g ; 60pcs / 13.5kg / CARTON																																																																																						
MTBF	500Khrs min. MIL-HDBK-217F(25°C)																																																																																																																								
DIMENSION	79*54*33mm (L*W*H)																																																																																																																								
PACKING	210g ; 60pcs / 13.5kg / CARTON																																																																																																																								
CONNECTOR	<table border="1"> <tbody> <tr> <td>PLUG</td> <td colspan="10">Standard type P1J: 2.1φ * 5.5φ * 11mm, tuning fork type, center positive for stock ; Other type available by customer requested</td> </tr> <tr> <td>CABLE</td> <td colspan="10">Standard type UL1185 6ft (4FT for 3.3 ~ 5V output) for stock ; Other type available by customer requested</td> </tr> </tbody> </table>											PLUG	Standard type P1J: 2.1φ * 5.5φ * 11mm, tuning fork type, center positive for stock ; Other type available by customer requested										CABLE	Standard type UL1185 6ft (4FT for 3.3 ~ 5V output) for stock ; Other type available by customer requested																																																																																																	
PLUG	Standard type P1J: 2.1φ * 5.5φ * 11mm, tuning fork type, center positive for stock ; Other type available by customer requested																																																																																																																								
CABLE	Standard type UL1185 6ft (4FT for 3.3 ~ 5V output) for stock ; Other type available by customer requested																																																																																																																								
NOTE	<ol style="list-style-type: none"> All parameters are specified at 115VAC input, rated load, 25°C 70% RH ambient. DC voltage: The output voltage set at point measure by plug terminal & 50% load. Ripple & noise are measured at 20MHz by using a 12" twisted pair terminated with a 0.1uf & 47uf capacitor. Tolerance: includes set up tolerance, line regulation, load regulation. Line regulation is measured from low line to high line at rated load. Load regulation is measured from 20% to 100% rated load The power supply is considered a component which will be installed into a final equipment. The final equipment must be re-confirmed that it still meets EMC directives. 																																																																																																																								

勝特力材料 886-3-5753170
 勝特力电子(上海) 86-21-54151736
 勝特力电子(深圳) 86-755-83298787
[Http://www.100y.com.tw](http://www.100y.com.tw)

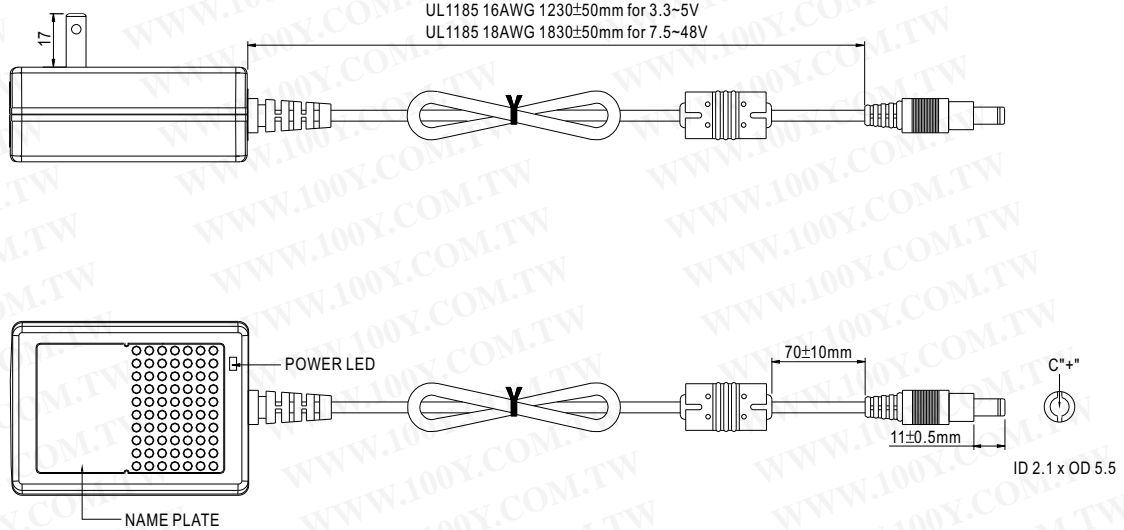


10~18W AC-DC Single Output Wall-mounted type

GS18U series

Mechanical Specification

Unit:mm

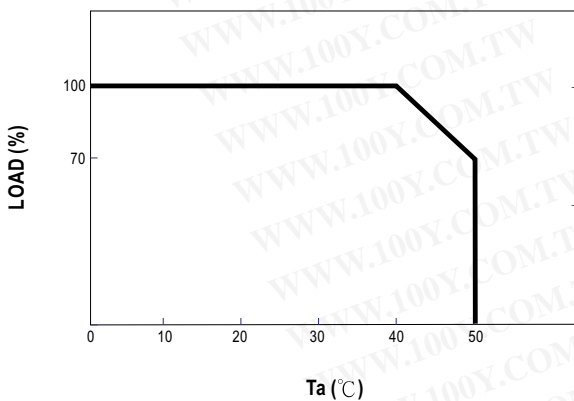


Plug Assignment

Standard plug: P1J (option)

P1J	
P/N	OUTPUT
CENTER	+

Derating Curve



Static Characteristics

