



- Features :
- AC input range selected by switch
  - Protections: Short circuit/Over load
  - Cooling by free air convection
  - Output is isolated from the others
  - 100% full load burn-in test
  - Fixed switching frequency at 25KHz I/P-O/P:Rated
  - Low cost
  - High reliability
  - 1 year warranty

## SPECIFICATION

MODEL	ID-30B			
OUTPUT	OUTPUT NUMBER	CH1	CH2	
	DC VOLTAGE	5V	24V	
	RATED CURRENT	2.2A	1A	
	CURRENT RANGE	0.1 ~ 2.2A	0.1 ~ 1A	
	RATED POWER	35W		
	RIPPLE & NOISE (max.) Note.2	100mVp-p		
	VOLTAGE ADJ. RANGE	CH1 : 4.6 ~ 5.5V		
	VOLTAGE TOLERANCE Note.3		±2.0%	
	LINE REGULATION		±0.5%	
	LOAD REGULATION		±1.5%	
	SETUP, RISE TIME	250ms, 100ms at full load		
HOLD TIME (Typ.)	40ms at full load			
INPUT	VOLTAGE RANGE	90 ~ 130VAC / 180 ~ 260VAC selected by switch on PCB		
	FREQUENCY RANGE	47 ~ 63Hz		
	EFFICIENCY(Typ.)	72%		
	AC CURRENT (Typ.)	0.8A/110VAC	0.4A/220VAC	
	INRUSH CURRENT (Typ.)	15A/110VAC	30A/220VAC	
PROTECTION	OVER LOAD	105 ~ 150% rated output power Protection type : Hiccup mode, recovers automatically after fault condition is removed		
	WORKING TEMP.	-10 ~ +60°C (Refer to output load derating curve)		
ENVIRONMENT	WORKING HUMIDITY	20 ~ 90% RH RH non-condensing		
	STORAGE TEMP., HUMIDITY	-20 ~ +85°C, 10 ~ 95%		
	TEMP. COEFFICIENT	±0.05%/°C		
	VIBRATION	10 ~ 500Hz, 2G 10min./1cycle, period for 60min. each along X, Y, Z axes		
SAFETY & EMC	SAFETY STANDARDS	Design refer to UL1012		
	WITHSTAND VOLTAGE	I/P-O/P:1.5KVAC I/P-FG:1.5KVAC O/P-FG:0.5KVAC		
	ISOLATION RESISTANCE	I/P-O/P, I/P-FG, O/P-FG:100M Ohms/500VDC		
OTHERS	EMI CONDUCTION & RADIATION	Design refer to FCC Part15 J Conduction Class A		
	MTBF	597.7K hrs min. MIL-HDBK-217F (25°C)		
	DIMENSION	129*98*38mm (L*W*H)		
NOTE	PACKING	0.41Kg; 30pcs/13.4Kg/0.86CUFT		
	<p>1. All parameters NOT specially mentioned are measured at 230VAC input, rated load and 25°C of ambient temperature.                  2. Ripple &amp; noise are measured at 20MHz of bandwidth by using a 12" twisted pair-wire terminated with a 0.1uf &amp; 47uf parallel capacitor.                  3. Tolerance : includes set up tolerance, line regulation and load regulation.</p>			

勝特力材料 886-3-5753170  
 勝特力电子(上海) 86-21-54151736  
 勝特力电子(深圳) 86-755-83298787  
[Http://www.100y.com.tw](http://www.100y.com.tw)

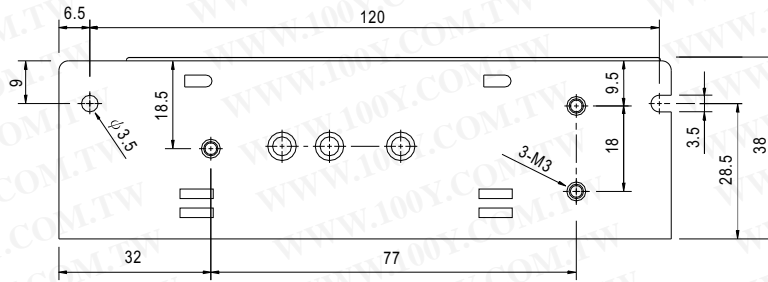
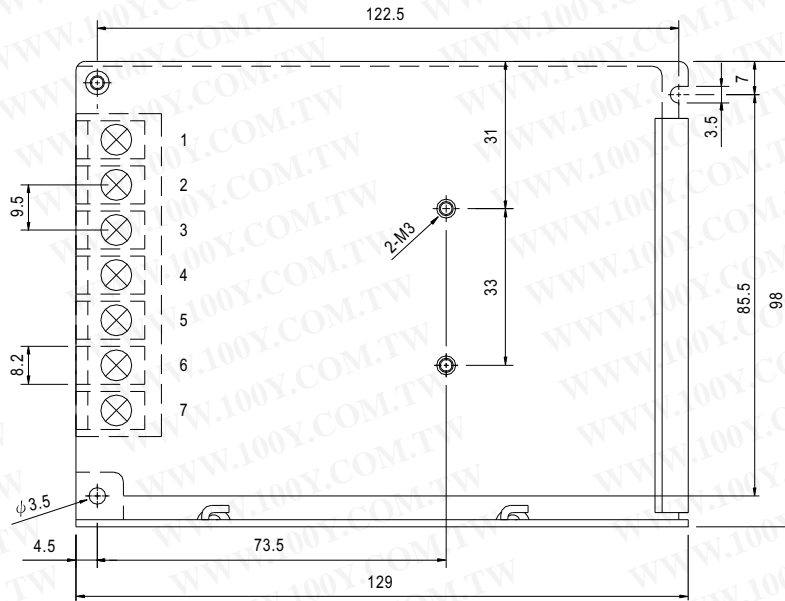


30W Dual Output Switching Power Supply

ID-30B

■ Mechanical Specification

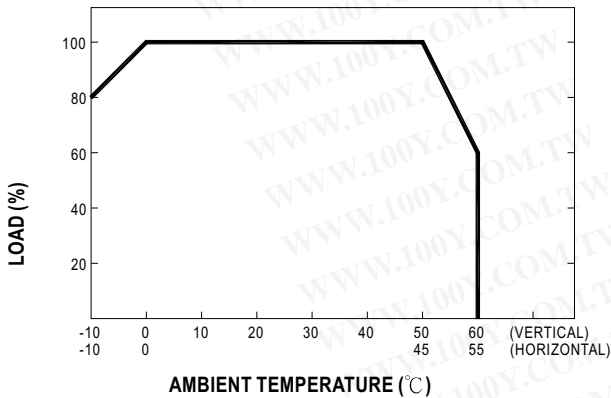
Case No. 903 Unit:mm



Terminal Pin. No Assignment

Pin No.	Assignment	Pin No.	Assignment	Pin No.	Assignment
1	AC/L	4	DC OUTPUT G2	7	DC OUTPUT +5V
2	AC/N	5	DC OUTPUT +V		
3	FG $\perp$	6	DC OUTPUT G1		

■ Output Derating



■ Static Characteristics (B)

