



■ Features :

- Constant voltage mode power supply
- Universal AC input / Full range
- Epoxy encapsulated with IP67 level
- Withstand 300VAC surge input for 5 seconds
- Protections: Short circuit / Over current / Over voltage
- Fully isolated plastic case
- Cooling by free air convection
- Small and compact size
- UL1310 Class 2 power unit, pass LPS
- 100% full load burn-in test
- Low cost, high reliability
- Suitable for LED lighting and moving sign applications
- 2 years warranty

LPS IP67

SPECIFICATION

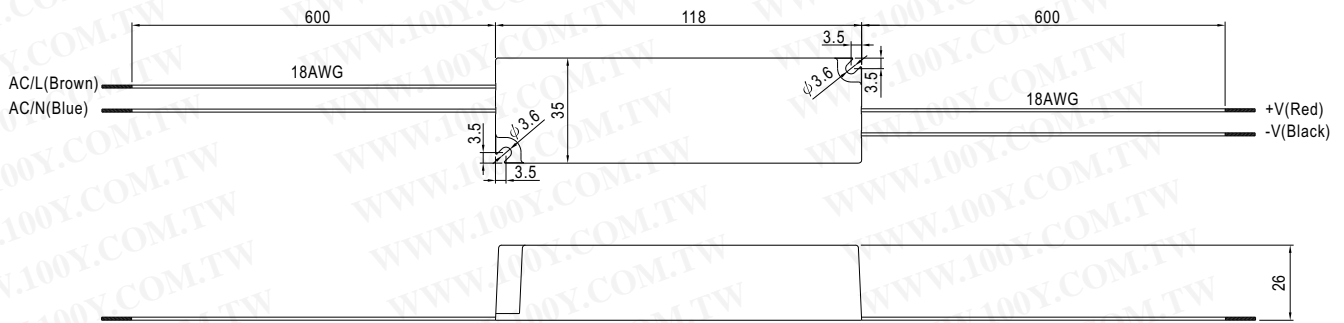
| MODEL | LPV-20-5 | LPV-20-12 | LPV-20-15 | LPV-20-24 | |
|---------------------|--|---|------------|------------|-----------|
| OUTPUT | DC VOLTAGE | 5V | 12V | 15V | 24V |
| | RATED CURRENT | 3A | 1.67A | 1.33A | 0.84A |
| | CURRENT RANGE | 0 ~ 3A | 0 ~ 1.67A | 0 ~ 1.33A | 0 ~ 0.84A |
| | RATED POWER | 15W | 20W | 20W | 20.2W |
| | RIPPLE & NOISE (max.) Note.2 | 80mVp-p | 120mVp-p | 120mVp-p | 150mVp-p |
| | VOLTAGE TOLERANCE Note.3 | ±5.0% | | | |
| | LINE REGULATION | ±1.0% | | | |
| | LOAD REGULATION | ±2.0% | | | |
| | SETUP, RISE TIME Note.6 | 500ms, 20ms / 230VAC 500ms, 20ms / 115VAC at full load | | | |
| HOLD UP TIME (Typ.) | 50ms/230VAC 16ms/115VAC at full load | | | | |
| INPUT | VOLTAGE RANGE | 90 ~ 264VAC | | | |
| | FREQUENCY RANGE | 47 ~ 63Hz | | | |
| | EFFICIENCY (Typ.) | 77% | 81% | 83% | 83% |
| | AC CURRENT | 0.55A/115VAC 0.35A/230VAC | | | |
| | INRUSH CURRENT(max.) | COLD START 35A/115VAC 70A/230VAC | | | |
| LEAKAGE CURRENT | 0.25mA / 240VAC | | | | |
| PROTECTION | OVER CURRENT Note.4 | 110 ~ 150% rated output power Protection type : Hiccup mode, recovers automatically after fault condition is removed | | | |
| | OVER VOLTAGE | 5.75 ~ 6.75V | 13.8 ~ 16V | 17.5 ~ 21V | 28 ~ 32V |
| ENVIRONMENT | WORKING TEMP. | -30 ~ +70°C (Refer to output load derating curve) | | | |
| | WORKING HUMIDITY | 20 ~ 90% RH non-condensing | | | |
| | STORAGE TEMP., HUMIDITY | -40 ~ +80°C, 10 ~ 95% RH | | | |
| | TEMP. COEFFICIENT | ±0.03%/°C (0 ~ 50°C) | | | |
| | VIBRATION | 10 ~ 500Hz, 2G 10min./1cycle, period for 60min. each along X, Y, Z axes | | | |
| SAFETY & EMC | SAFETY STANDARDS | UL1310 Class 2, CAN/CSA C22.2 No. 223-M91, IP67 approved, design refer to TUV EN60950-1, EN61347-2-13 | | | |
| | WITHSTAND VOLTAGE | I/P-O/P:3KVAC | | | |
| | ISOLATION RESISTANCE | I/P-O/P:>100M Ohms / 500VDC / 25°C / 70% RH | | | |
| | EMI CONDUCTION & RADIATION | Compliance to EN55022 (CISPR22) Class B | | | |
| | HARMONIC CURRENT | Compliance to EN61000-3-2,-3 | | | |
| OTHERS | MTBF | 786.5Khrs min. MIL-HDBK-217F (25°C) | | | |
| | DIMENSION | 118*35*26mm (L*W*H) | | | |
| | PACKING | 0.22Kg; 60pcs/14.2Kg/0.62CUFT | | | |
| NOTE | <ol style="list-style-type: none"> 1. All parameters NOT specially mentioned are measured at 230VAC input, rated load and 25°C of ambient temperature. 2. Ripple & noise are measured at 20MHz of bandwidth by using a 12" twisted pair-wire terminated with a 0.1uf & 47uf parallel capacitor. 3. Tolerance : includes set up tolerance, line regulation and load regulation. 4. Derating may be needed under low input voltage. Please check the derating curve for more details. 5. The power supply is considered a component which will be installed a final equipment. The final equipment must be re-confirmed that it still meets EMC directives. 6. Length of set up time is measured at first cold start. Turning ON/OFF the power supply may lead to increase of the set up time. | | | | |

勝特力材料 886-3-5753170
 勝特力电子(上海) 86-21-34970699
 勝特力电子(深圳) 86-755-83298787
 Http://www.100y.com.tw

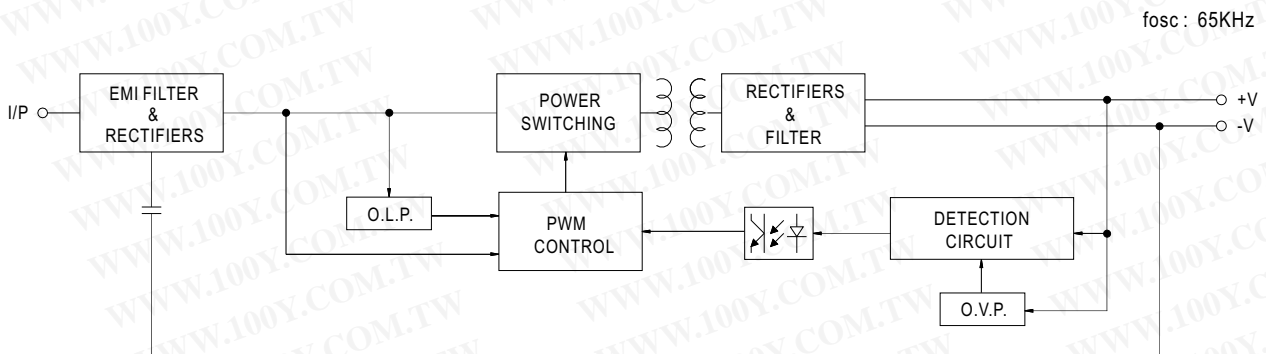


Case No. 972A Unit:mm

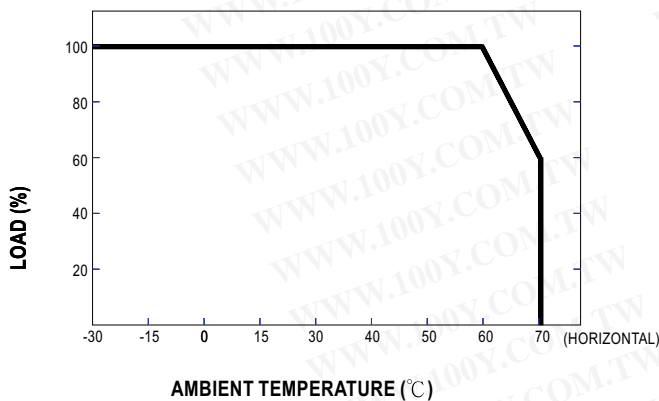
Mechanical Specification



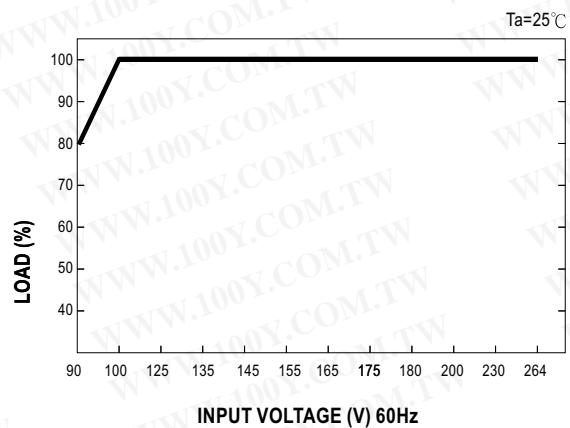
Block Diagram



Derating Curve



Static Characteristics



勝特力材料 886-3-5753170
勝特力电子(上海) 86-21-34970699
勝特力电子(深圳) 86-755-83298787
Http://www.100y.com.tw