



- Features :
  - Single in line package
  - 2:1 wide input range
  - 1500VDC I/O isolation
  - Built-in EMI filter without external components
  - Protections: Short circuit / Overload
  - Cooling by free air convection
  - 100% full load burn-in test
  - Low cost / High reliability
  - 2 years warranty

勝特力電材超市-龍山店 886-3-5773766  
 勝特力電材超市-光復店 886-3-5729570  
 勝特力电子(上海) 86-21-34970699  
 勝特力电子(深圳) 86-755-83298787  
<http://www.100y.com.tw>

■ GTIN CODE

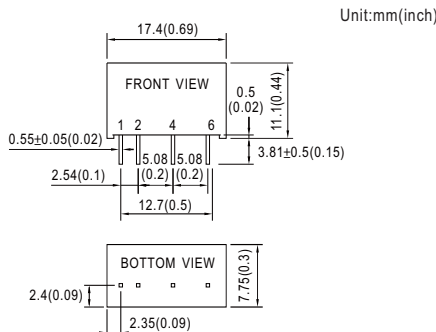
MW Search: <https://www.meanwell.com/serviceGTIN.aspx>



SPECIFICATION

ORDER NO.	SPA01A-05	SPA01B-05	SPA01C-05	SPA01A-12	SPA01B-12	SPA01C-12	SPA01A-15	SPA01B-15	SPA01C-15		
OUTPUT	DC VOLTAGE	5V			12V			15V			
	CURRENT RANGE	20 ~ 200mA			8 ~ 83mA			6 ~ 67mA			
	RATED POWER	1W									
	RIPPLE & NOISE (max.) Note.2	60mVp-p			80mVp-p			80mVp-p			
	LINE REGULATION Note.3	±0.5%									
	LOAD REGULATION Note.4	±0.5%									
	VOLTAGE ACCURACY	±2.0%									
	SWITCHING FREQUENCY	100KHz min.									
INPUT	VOLTAGE RANGE	A: 9 ~ 18VDC B: 18 ~ 36VDC C: 36 ~ 75VDC									
	EFFICIENCY (Typ.)	77%	77%	77%	78%	78%	78%	79%	79%	79%	
	DC CURRENT	Full load	A: 110mA B: 55mA C: 27mA								
		No load	A: 20mA B: 10mA C: 7mA								
	FILTER	Capacitor Type									
PROTECTION	Fuse recommended										
PROTECTION (Note. 5)	OVERLOAD	130 ~ 200% rated output power Protection type : Recovers automatically after fault condition is removed									
	SHORT CIRCUIT	All output equipped with short circuit Protection type : Recovers automatically after fault condition is removed									
ENVIRONMENT	WORKING TEMP.	-40 ~ +90°C (Refer to "Derating Curve")									
	WORKING HUMIDITY	20% ~ 90% RH non-condensing									
	STORAGE TEMP., HUMIDITY	-40 ~ +105°C, 10 ~ 95% RH									
	TEMP. COEFFICIENT	±0.05% / °C (0 ~ 50°C)									
	VIBRATION	10 ~ 500Hz, 2G 10min./1 cycle, period for 60min. each along X, Y, Z axes									
SAFETY	SAFETY STANDARDS	EAC TP TC 020/2011 (EAC TP TC 004 for 48Vin type only) approved									
	WITHSTAND VOLTAGE	I/P-O/P: 1.5KVDC									
	ISOLATION RESISTANCE	I/P-O/P: 100M Ohms / 500VDC / 25°C / 70% RH									
	ISOLATION CAPACITANCE	80pF max.									
	EMC EMISSION	Compliance to BS EN/EN55032 Class B, FCC part 15 Class B, EAC TP TC 020									
OTHERS	EMC IMMUNITY	Compliance to BS EN/EN61000-4-2,3,4,5,6,8 light industry level, criteria A, EAC TP TC 020									
	MTBF	500Khrs min. MIL-HDBK-217F(25°C)									
	DIMENSION	17.4*7.75*11.1mm or 0.69**0.30**0.44" inch (L*W*H)									
PACKING	3g ; 28pcs/per tube, 2800pcs/100 tube/per carton										

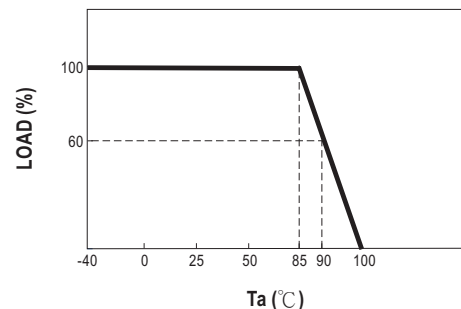
■ Mechanical Specification



■ Pin Configuration

Pin No.	Output
1	-Vin
2	+Vin
4	+Vout
6	-Vout

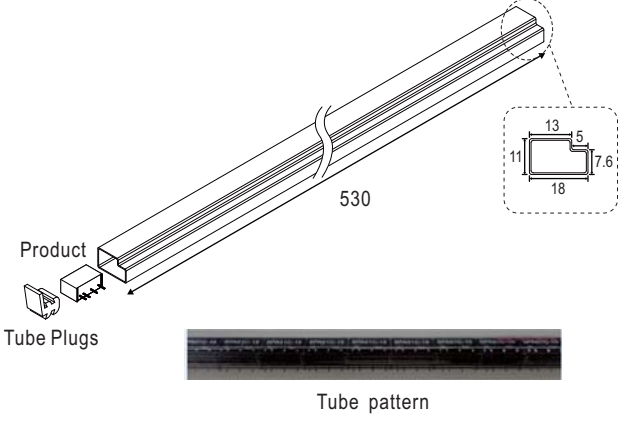
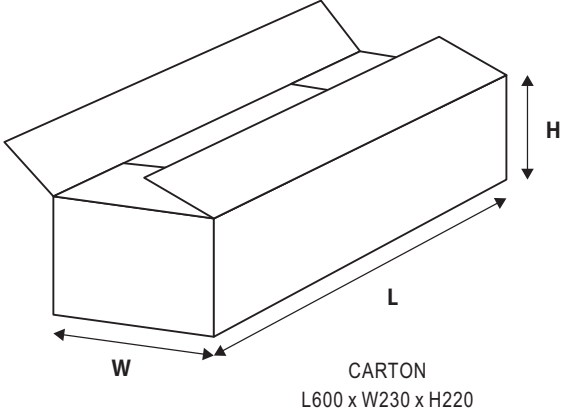
■ Derating Curve



NOTE

- All parameters are specified at normal input, rated load, 25°C 70% RH ambient.
  - Ripple & noise are measured at 20MHz by using a 12" twisted pair terminated with a 0.1uf & 47uf capacitor.
  - Line regulation is measured from low line to high line at rated load.
  - Load regulation is measured from 10% to 100% rated load.
  - Please prevent the converter from operating in overload or short circuit condition for more than 30 seconds.
- ※ Product Liability Disclaimer : For detailed information, please refer to <https://www.meanwell.com/serviceDisclaimer.aspx>

■ Packing

Standard Tube Packing	MPQ Per Tube (PCS)	One Tube G.W.	Max. Q'TY/ Carton(PCS)	One Carton G.W.
<p>Unit : mm</p>  	28	140g	2800	14.8Kg

■ Installation Manual

Please refer to : <http://www.meanwell.com/manual.html>

勝特力電材超市-龍山店 886-3-5773766  
 勝特力電材超市-光復店 886-3-5729570  
 勝特力电子(上海) 86-21-34970699  
 勝特力电子(深圳) 86-755-83298787  
<http://www.100y.com.tw>