



### FEATURES

- RoHS compliant
- Efficiency up to 86%
- Power density up to 1.44W/cm<sup>3</sup>
- Wide temperature performance at full 2 watt load, -40°C to 85°C
- Dual output from a single input rail
- UL 94V-0 package material
- No heatsink required
- Footprint from 1.46cm<sup>2</sup>
- Industry standard pinout
- Power sharing on output
- 1kVDC isolation
- 5V, 12V, 24V & 48V input
- 5V, 9V, 12V and 15V output
- Internal SMD construction
- Fully encapsulated with toroidal magnetics
- No external components required
- MTTF up to 1.5 million hours
- No electrolytic or tantalum capacitors

### DESCRIPTION

The NMH series of industrial temperature range DC/DC converters are the standard building blocks for on-board point-of-use power systems. They are ideally suited for providing dual rail supplies on single rail boards with the added benefit of galvanic isolation to reduce circuit noise. All of the rated power may be drawn from a single pin provided the total load does not exceed 2 watts.

Pin compatibility with the NMA 1 watt series ensures minimal effort in upgrading distributed power systems.



### SELECTION GUIDE

Order Code	Nominal Input Voltage	Output Voltage	Output Current	Input Current at Rated Load	Efficiency	Isolation Capacitance	MTTF <sup>1</sup>	Package Style
	V	V	mA	mA	%	pF	kHrs	
NMH0505DC	5	±5	±200	500	80	24	1574	DIP
NMH0509DC	5	±9	±111	494	81	28	663	
NMH0512DC	5	±12	±83	488	82	30	338	
NMH0515DC	5	±15	±67	476	84	33	187	
NMH0505SC	5	±5	±200	500	80	24	1574	SIP
NMH0509SC	5	±9	±111	494	81	28	663	
NMH0512SC	5	±12	±83	488	82	30	338	
NMH0515SC	5	±15	±67	476	84	33	187	
NMH1205DC	12	±5	±200	208	80	35	490	DIP
NMH1209DC	12	±9	±111	201	83	55	343	
NMH1212DC	12	±12	±83	198	84	63	229	
NMH1215DC	12	±15	±67	198	84	66	148	
NMH1205SC	12	±5	±200	208	80	35	490	SIP
NMH1209SC	12	±9	±111	201	83	55	343	
NMH1212SC	12	±12	±83	198	84	63	229	
NMH1215SC	12	±15	±67	198	84	66	148	
NMH2405DC	24	±5	±200	103	81	41	318	DIP
NMH2409DC	24	±9	±111	98	85	75	249	
NMH2412DC	24	±12	±83	97	86	95	183	
NMH2415DC	24	±15	±67	97	86	104	127	
NMH2405SC	24	±5	±200	103	81	41	318	SIP
NMH2409SC	24	±9	±111	98	85	75	249	
NMH2412SC	24	±12	±83	97	86	95	183	
NMH2415SC	24	±15	±67	97	86	104	127	
NMH4805DC	48	±5	±200	51	82	45	235	DIP
NMH4809DC	48	±9	±111	51	82	74	195	
NMH4812DC	48	±12	±83	49	85	90	152	
NMH4815DC	48	±15	±67	49	85	112	112	
NMH4805SC	48	±5	±200	51	82	45	235	SIP
NMH4809SC	48	±9	±111	51	82	74	195	
NMH4812SC	48	±12	±83	49	85	90	152	
NMH4815SC	48	±15	±67	49	85	112	112	

When operated **with** additional external load capacitance the rise time of the input voltage will determine the maximum external capacitance value for guaranteed start up. The slower the rise time of the input voltage the greater the maximum value of the additional external capacitance for reliable start up.

### INPUT CHARACTERISTICS

Parameter	Conditions	Min.	Typ.	Max.	Units
Voltage range	Continuous operation, 5V input types	4.5	5	5.5	V
	Continuous operation, 12V input types	10.8	12	13.2	
	Continuous operation, 24V input types	21.6	24	26.4	
	Continuous operation, 48V input types	43.2	48	52.8	
Reflected ripple current	5V input types		50		mA p-p
	12V input types		70		
	24V input types		130		
	48V input types		200		

1. Calculated using MIL-HDBK-217F with nominal input voltage at full load.

All specifications typical at T<sub>a</sub>=25°C, nominal input voltage and rated output current unless otherwise specified.

OUTPUT CHARACTERISTICS					
Parameter	Conditions	Min.	Typ.	Max.	Units
Rated Power <sup>1</sup>	T <sub>A</sub> =-40°C to 85°C			2	W
Voltage Set Point Accuracy	NMH0505DC/SC	-5		7.5	%
	All other types	-5		5	
Line regulation	High V <sub>IN</sub> to low V <sub>IN</sub>		1.0	1.2	%/%
	10% load to rated load, 5V output types		5	10	
Load Regulation	10% load to rated load, 9V output types		3	10	%
	10% load to rated load, 12V output types				
	10% load to rated load, 15V output types				
	10% load to rated load, 15V output types				
Ripple and Noise	BW=DC to 20MHz, 5V output types		150	200	mV p-p
	BW=DC to 20MHz, 9V output types		100	150	
	BW=DC to 20MHz, 12V output types		80	150	
	BW=DC to 20MHz, 15V output types		70	150	

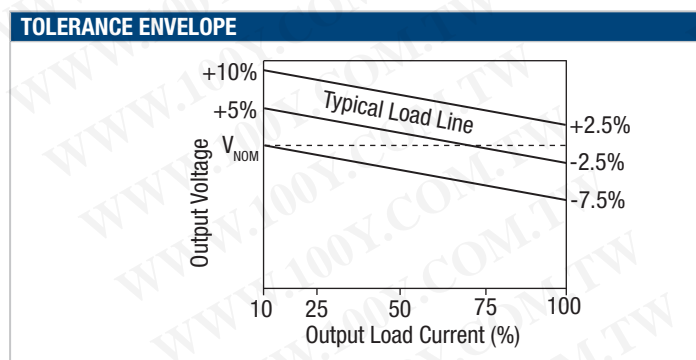
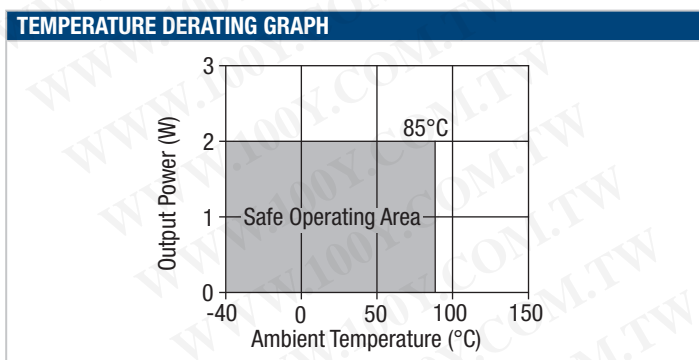
ABSOLUTE MAXIMUM RATINGS	
Short-circuit protection <sup>2</sup>	1 second
Lead temperature 1.5mm from case for 10 seconds	300°C
Internal power dissipation	300mW
Input voltage V <sub>IN</sub> , NMH05 types	7V
Input voltage V <sub>IN</sub> , NMH12 types	15V
Input voltage V <sub>IN</sub> , NMH24 types	28V
Input voltage V <sub>IN</sub> , NMH48 types	54V

ISOLATION CHARACTERISTICS					
Parameter	Conditions	Min.	Typ.	Max.	Units
Isolation test voltage	Flash tested for 1 second	1000			VDC
Resistance	Viso= 500V	1	10		GΩ

GENERAL CHARACTERISTICS					
Parameter	Conditions	Min.	Typ.	Max.	Units
Switching frequency	5V input types		95		kHz
	12V input types		90		
	24V & 48V input types		80		

TEMPERATURE CHARACTERISTICS					
Parameter	Conditions	Min.	Typ.	Max.	Units
Specification	All output types	-40		85	°C
Storage		-50		130	
Case Temperature above ambient	5V output types		30		
	12V output types		25		
Cooling	Free air convection				

**勝特力材料 886-3-5753170**  
**勝特力电子(上海) 86-21-34970699**  
**勝特力电子(深圳) 86-755-83298787**  
[Http://www.100y.com.tw](http://www.100y.com.tw)



1. See derating graph.  
 2. Supply voltage must be discontinued at the end of the short circuit duration.

**TECHNICAL NOTES**

**ISOLATION VOLTAGE**

'Hi Pot Test', 'Flash Tested', 'Withstand Voltage', 'Proof Voltage', 'Dielectric Withstand Voltage' & 'Isolation Test Voltage' are all terms that relate to the same thing, a test voltage, applied for a specified time, across a component designed to provide electrical isolation, to verify the integrity of that isolation.

Murata Power Solutions NMH series of DC/DC converters are all 100% production tested at their stated isolation voltage. This is 1kVDC for 1 second.

A question commonly asked is, "What is the continuous voltage that can be applied across the part in normal operation?"

For a part holding no specific agency approvals, such as the NMH series, both input and output should normally be maintained within SELV limits i.e. less than 42.4V peak, or 60VDC. The isolation test voltage represents a measure of immunity to transient voltages and the part should never be used as an element of a safety isolation system. The part could be expected to function correctly with several hundred volts offset applied continuously across the isolation barrier; but then the circuitry on both sides of the barrier must be regarded as operating at an unsafe voltage and further isolation/insulation systems must form a barrier between these circuits and any user-accessible circuitry according to safety standard requirements.

**REPEATED HIGH-VOLTAGE ISOLATION TESTING**

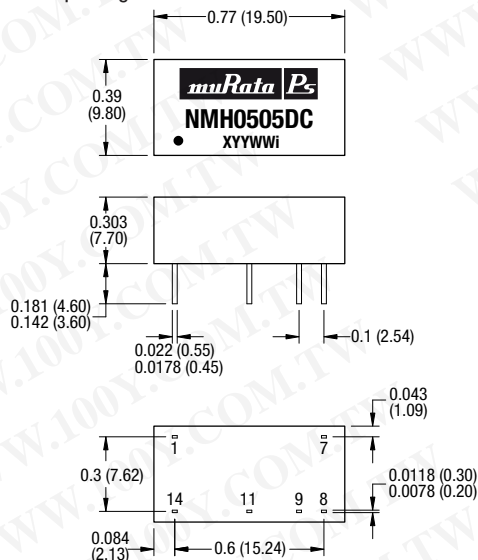
It is well known that repeated high-voltage isolation testing of a barrier component can actually degrade isolation capability, to a lesser or greater degree depending on materials, construction and environment. The NMH series has toroidal isolation transformers, with no additional insulation between primary and secondary windings of enameled wire. While parts can be expected to withstand several times the stated test voltage, the isolation capability does depend on the wire insulation. Any material, including this enamel (typically polyurethane) is susceptible to eventual chemical degradation when subject to very high applied voltages thus implying that the number of tests should be strictly limited. We therefore strongly advise against repeated high voltage isolation testing, but if it is absolutely required, that the voltage be reduced by 20% from specified test voltage.

This consideration equally applies to agency recognized parts rated for better than functional isolation where the wire enamel insulation is always supplemented by a further insulation system of physical spacing or barriers.

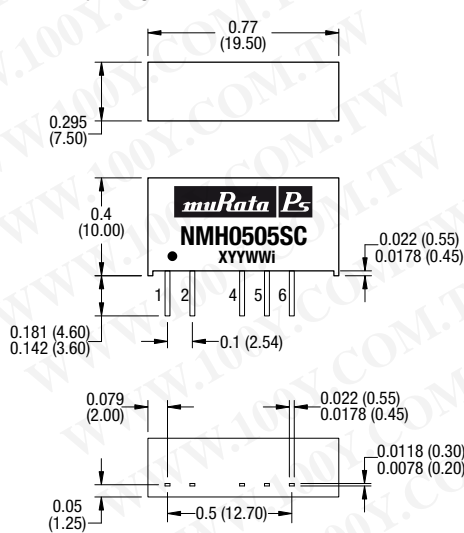
**PACKAGE SPECIFICATIONS**

**MECHANICAL DIMENSIONS**

**DIP package**



**SIP package**



All dimensions in inches  $\pm 0.01$  (mm  $\pm 0.25$ mm). All pins on a 0.1 (2.54) pitch and within  $\pm 0.01$  (0.25) of true position.

Weight: 2.85g (DIP) 2.76g (SIP)

**PIN CONNECTIONS - 14 PIN DIP**

Pin	Function
1	-VIN
7	NC
8	OV
9	+VOUT
11	-VOUT
14	+VIN

**PIN CONNECTIONS - 7 PIN SIP**

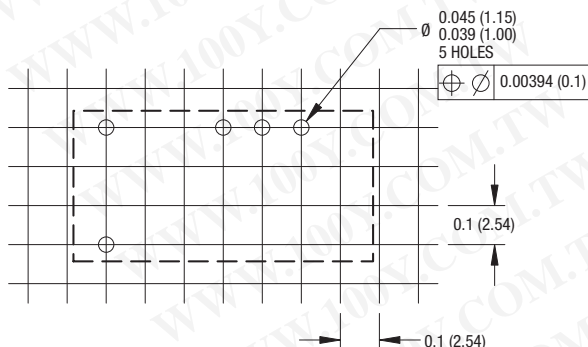
Pin	Function
1	+VIN
2	-VIN
4	-VOUT
5	OV
6	+VOUT

勝特力材料 886-3-5753170  
 勝特力电子(上海) 86-21-34970699  
 勝特力电子(深圳) 86-755-83298787  
[Http://www.100y.com.tw](http://www.100y.com.tw)

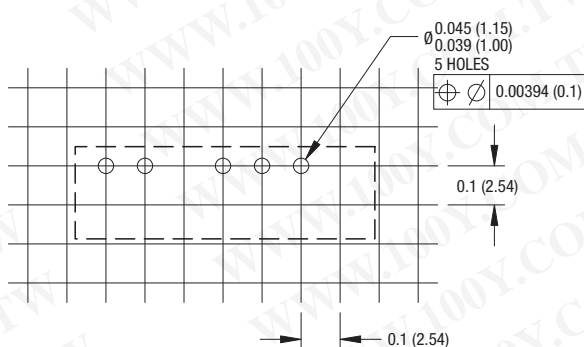
**PACKAGE SPECIFICATIONS (continued)**

**RECOMMENDED FOOTPRINT DETAILS**

14 Pin DIP Package

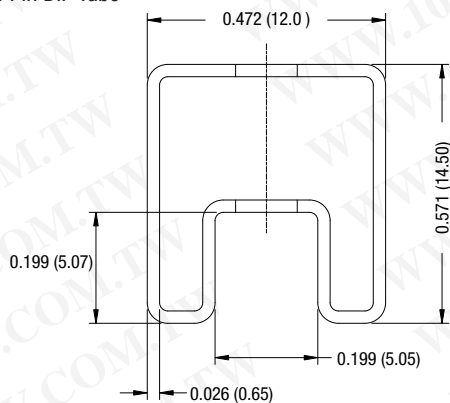


7 Pin SIP Package

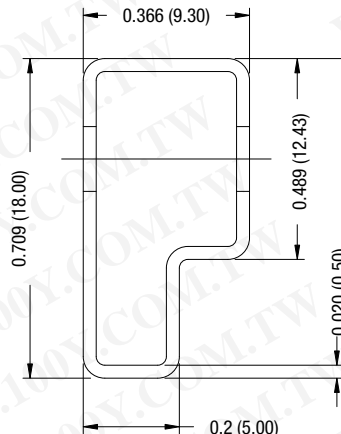


**TUBE OUTLINE DIMENSIONS**

14 Pin DIP Tube



7 Pin SIP Tube



Unless otherwise stated all dimensions in inches (mm)  $\pm 0.5$ mm.  
Tube length (14 Pin DIP) : 20.47 (520mm  $\pm 2$ mm).  
Tube length (7 Pin SIP) : 20.47 (520mm  $\pm 2$ mm).

勝特力材料 886-3-5753170  
勝特力电子(上海) 86-21-34970699  
勝特力电子(深圳) 86-755-83298787  
[Http://www.100y.com.tw](http://www.100y.com.tw)

Tube Quantity : 25

**RoHS COMPLIANCE INFORMATION**



This series is compatible with RoHS soldering systems with a peak wave solder temperature of 300°C for 10 seconds. The pin termination finish on the SIP package type is Tin Plate, Hot Dipped over Matte Tin with Nickel Preplate. The DIP types are Matte Tin over Nickel Preplate. Both types in this series are backward compatible with Sn/Pb soldering systems. For further information, please visit [www.murata-ps.com/rohs](http://www.murata-ps.com/rohs)