

ABL2REM24045K

single phase power supply - 100...240V input -
24V DC output - 100W - 4,5A



勝特力材料 886-3-5753170
勝特力电子(上海) 86-21-34970699
勝特力电子(深圳) 86-755-83298787
[Http://www.100y.com.tw](http://www.100y.com.tw)

Main

Range of product	Easy Modicon ABL2
Product or component type	Power supply
Power supply type	Regulated switch mode
Rated power in W	100 W
Input voltage	100...240 V AC single phase
Output voltage	24 V DC
Power supply output current	4.5 A
Operating position	Any position
Vibration resistance	4 gn (f= 10...500 Hz) conforming to EN/IEC 61131-2
Name of test	Conducted interference conforming to EN 61000-6-4 level A

Complementary

Input voltage limits	85...264 V
Network frequency	47...63 Hz
Inrush current	50 A at 100...240 V AC
Cos phi	0.45
Efficiency	90 %
Power dissipation in W	11.1 W
Current consumption	1.1 A at 240 V
Input protection type	Integrated fuse (not interchangeable)
Output voltage limits	20.4...27.6 V
Line and load regulation	+/- 1 %
Holding time	>= 10 ms at 115 V
Output protection type	Against overload, protection technology: 1.1...1.5 x In Against short-circuits, protection technology: 1.1...1.5 x In Against overvoltage, protection technology: 1.1...1.5 x In
Connections - terminals	For ground connection: screw type terminals, connection capacity: 1 x 4 mm ² AWG 12
Marking	CE
Mounting support	DIN rail with accessory DIN rail with accessory
Operating altitude	5000 m
Output coupling	Series

Overvoltage category	II
Meantime between failure [MTBF]	720600 h at 25 °C
Status LED	1 LED (green)output voltage:
Width	97 mm
Height	129 mm
Depth	30 mm
Net weight	0.35 kg

Environment

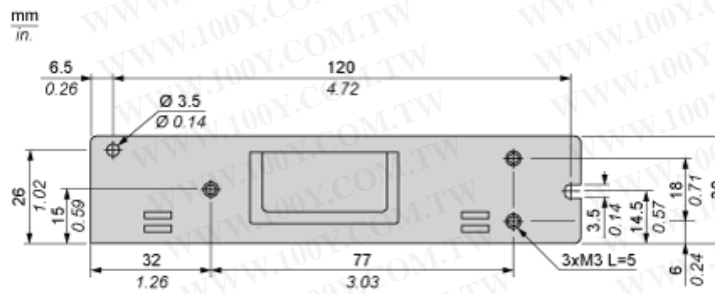
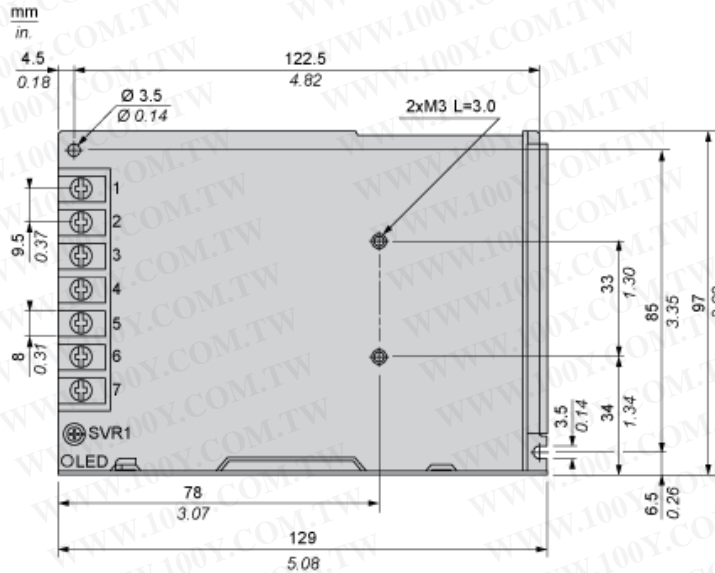
Product certifications	EAC RoHS IC
Environmental characteristic	EMC conforming to EN 55022 class B
IP degree of protection	IP20 conforming to EN/IEC 60950
Ambient air temperature for operation	-30...70 °C (with rated power derating 5 W per °C)
Ambient air temperature for storage	-40...85 °C
Relative humidity	10...95 %
Overvoltage category	Class I conforming to VDE 0106-1
Pollution degree	2
Dielectric strength	2000 V between input and ground

Offer Sustainability

RECh Regulation	RECh Declaration
RECh free of SVHC	Yes
EU RoHS Directive	Pro-active compliance (Product out of EU RoHS legal scope) EU RoHS Declaration
Mercury free	Yes
RoHS exemption information	Yes
China RoHS Regulation	China RoHS declaration

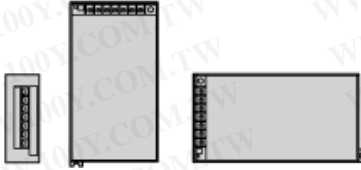
Dimensions Drawings

Mechanical Dimensions



Mounting and Clearance

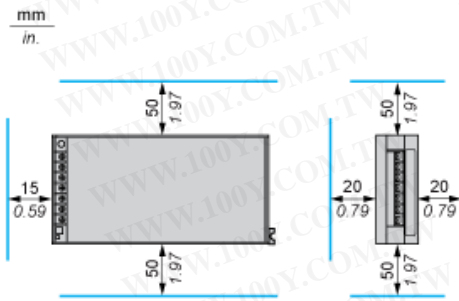
Vertical Mounting



Horizontal Mounting

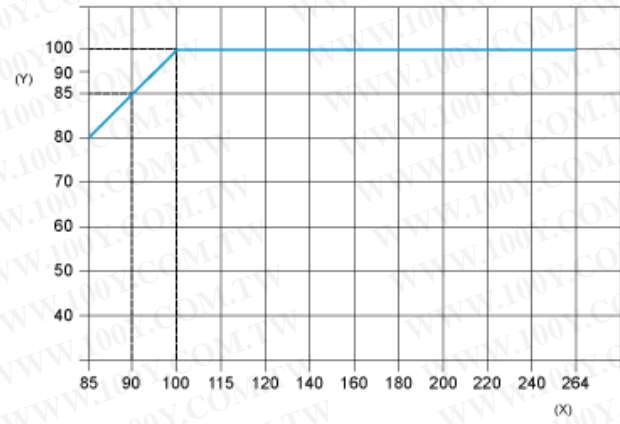


Clearance



Performance Curves

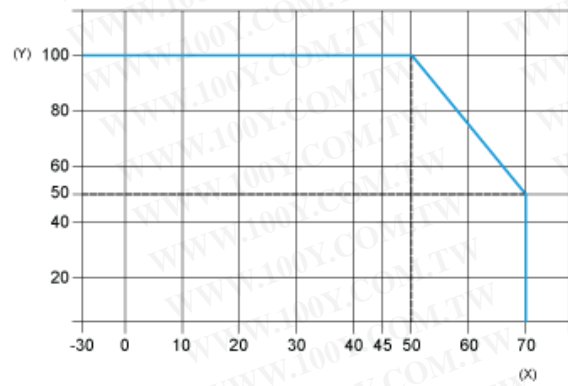
Static Characteristics



(y) Load %
(x) Input voltage (VAC) 50/60 Hz

勝特力材料 886-3-5753170
 勝特力电子(上海) 86-21-34970699
 勝特力电子(深圳) 86-755-83298787
[Http://www.100y.com.tw](http://www.100y.com.tw)

Derating Curve



(y) Load %
(x) Ambient temperature (°C)