

# ABL2REM24085K

single phase power supply - 100...240V input -  
24V DC output - 200W - 8,3A



勝特力材料 886-3-5753170  
勝特力电子(上海) 86-21-34970699  
勝特力电子(深圳) 86-755-83298787  
[Http://www.100y.com.tw](http://www.100y.com.tw)

## Main

Range of product	Easy Modicon ABL2
Product or component type	Power supply
Power supply type	Regulated switch mode
Rated power in W	200 W
Input voltage	100...120 V AC single phase 200...240 V
Output voltage	24 V DC
Power supply output current	8.3 A
Operating position	Any position
Vibration resistance	4 gn (f= 10...500 Hz) conforming to EN/IEC 61131-2
Name of test	Conducted interference conforming to EN 61000-6-4 level A

## Complementary

Input voltage limits	90...132 V 180...264 V
Network frequency	47...63 Hz
Inrush current	60 A at 100...120 V AC 60 A at 200...240 V AC
Cos phi	0.5
Efficiency	88 %
Power dissipation in W	27.2 W
Current consumption	2 A at 240 V
Input protection type	Integrated fuse (not interchangeable)
Output voltage limits	20.4...27.6 V
Line and load regulation	+/- 1 %
Holding time	>= 12 ms at 115 V
Output protection type	Against overload, protection technology: 1.1...1.5 x In Against short-circuits, protection technology: 1.1...1.5 x In Against overvoltage, protection technology: 1.1...1.5 x In Thermal, protection technology: 1.1...1.5 x In
Connections - terminals	For ground connection: screw type terminals, connection capacity: 1 x 4 mm <sup>2</sup> AWG 12
Marking	CE
Mounting support	DIN rail with accessory

Panel mounting with accessory

Operating altitude	5000 m
Output coupling	Series
Overvoltage category	II
Meantime between failure [MTBF]	600000 h at 25 °C
Status LED	1 LED (green)output voltage:
Width	115 mm
Height	215 mm
Depth	30 mm
Net weight	0.73 kg

## Environment

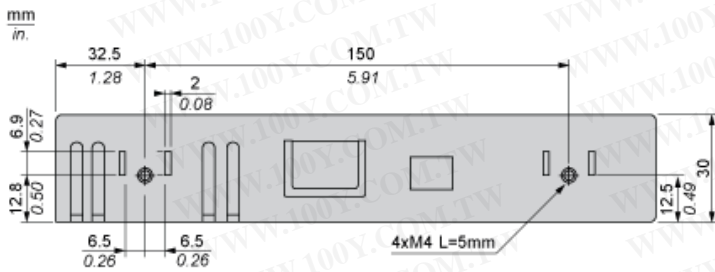
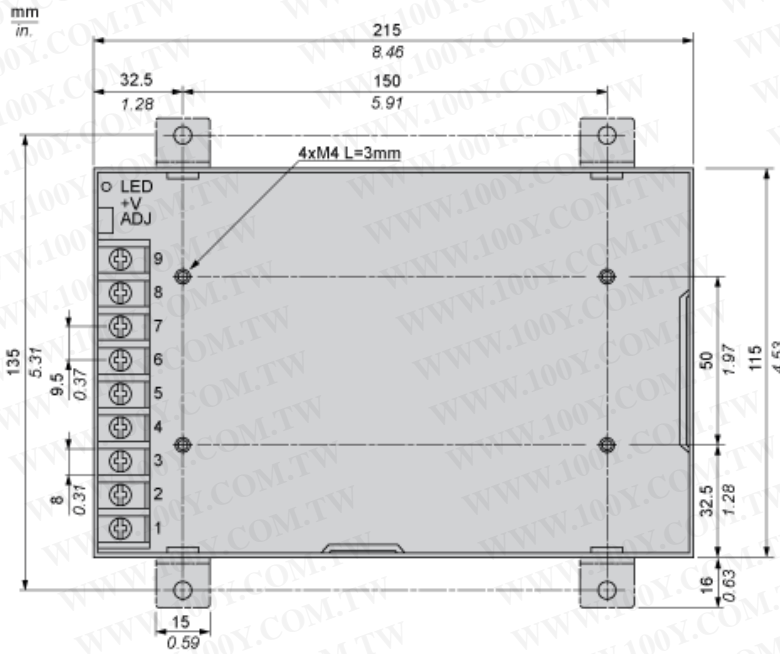
Product certifications	EAC EAC RoHS
Environmental characteristic	EMC conforming to EN 55022 class B
IP degree of protection	IP20 conforming to EN/IEC 60950
Ambient air temperature for operation	-30...70 °C (with rated power derating 5 W per °C)
Ambient air temperature for storage	-40...85 °C
Relative humidity	10...95 %
Overvoltage category	Class I conforming to VDE 0106-1
Pollution degree	2
Dielectric strength	2000 V between input and ground

## Offer Sustainability

REACH Regulation	<a href="#">REACH Declaration</a>
REACH free of SVHC	Yes
EU RoHS Directive	Pro-active compliance (Product out of EU RoHS legal scope) <a href="#">EU RoHS Declaration</a>
Mercury free	Yes
RoHS exemption information	<a href="#">Yes</a>
China RoHS Regulation	<a href="#">China RoHS declaration</a>

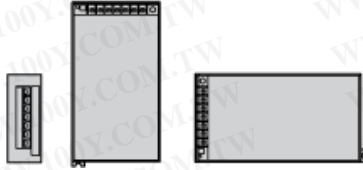
Dimensions Drawings

Mechanical Dimensions



Mounting and Clearance

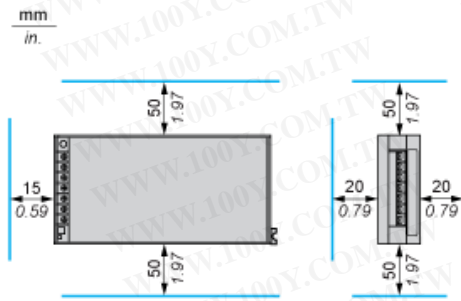
Vertical Mounting



Horizontal Mounting

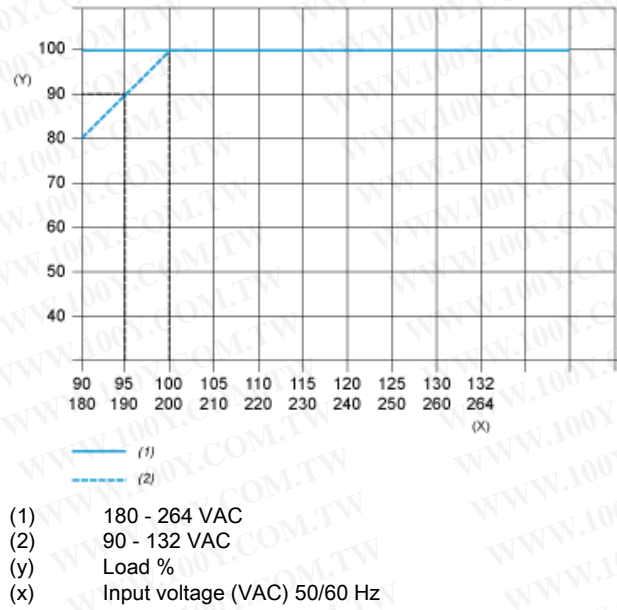


Clearance



Performance Curves

Static Characteristics



勝特力材料 886-3-5753170  
 勝特力电子(上海) 86-21-34970699  
 勝特力电子(深圳) 86-755-83298787  
[Http://www.100y.com.tw](http://www.100y.com.tw)

Derating Curve

