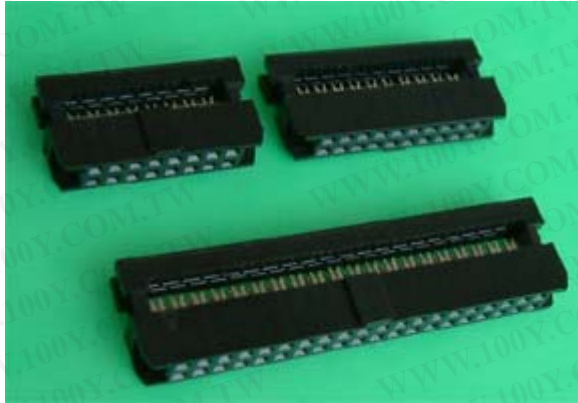


## I.D.C SOCKET 2.00mm(0.079")/MFC 型扁平電纜連接器



### Material:

Housing: 30% Glass filled PBT UL94V-0

Contacts: Phosphor Bronze

Plating: Selective gold plated: gold plated on mating area and nickel plated on wire cutting area

Gold plated: 3u" over 50u" nickel

Cable: 1.00mm (0.039") pitch fiat cable

### Electrical Characteristics:

Current Rating: 1 AMP

Insulator Resistance: 5000MΩmin. at DC500V

Contact Resistance: 20mΩmax. at DC 100mA

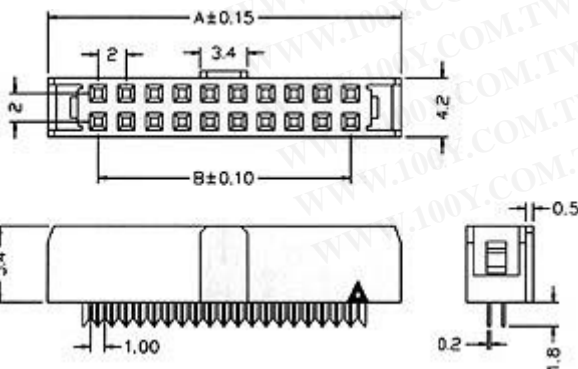
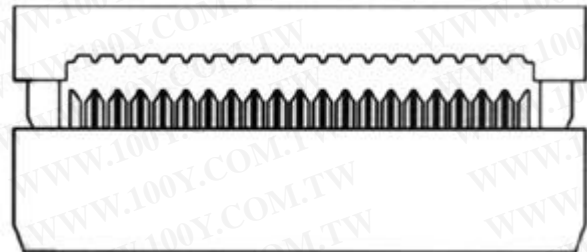
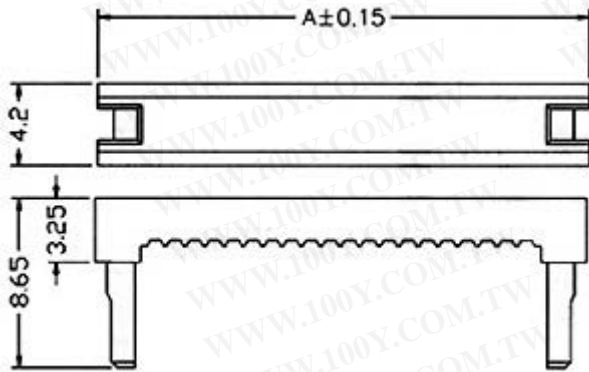
Operating Temperature: -55°C~+105°C

### Features:

- \* Optional polarizing key, polarizing bump.
- \* Optional strain relief.
- \* Choices of gold plated or selective gold plated.

Mates with: 302 504 505 506

勝特力材料 886-3-5753170  
 勝特力电子(上海) 86-21-54151736  
 勝特力电子(深圳) 86-755-83298787  
[Http://www.100y.com.tw](http://www.100y.com.tw)



Position	Dimension	
	A	B
08	13.10	6.00
10	15.10	8.00
14	19.10	12.00
16	21.10	14.00
18	23.10	16.00
20	25.10	18.00
22	27.10	20.00
24	29.10	22.00
26	31.10	24.00
30	35.10	28.00
34	39.10	32.00
40	45.10	38.00
44	49.10	42.00
50	55.10	48.00