



952 Series Relay

勝特力材料 886-3-5753170
 勝特力电子(上海) 86-21-34970699
 勝特力电子(深圳) 86-755-83298787
[Http://www.100y.com.tw](http://www.100y.com.tw)

FEATURES

- UL ,CE & CQC safety approval.
- 2 Pole to 4 Pole are prepared with switching current of 7A (2 pole, 3 pole) and 5A (4 pole).
- PCB terminal and Socket terminal are selectable, and for direct panel mount, flange case type is available.
- Nominal power 900mW & AC 1.2VA.
- Operating power 510mW.
- Either with or without lamp is optional for AC & DC coil.
- Low coil power consumption with high response time.



UL FILE NO: E162117/E188367
 CQC FILE NO: CQC04001009878
 CE DECLARATIN OF CONFORMITY

CONTACT RATINGS

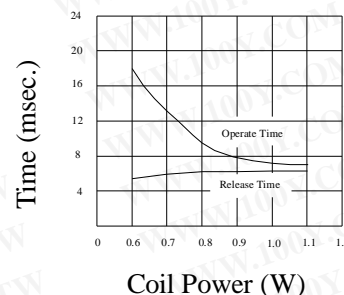
- Contact Arrangement
 2 Form C (DPDT); 3 Form C (3PDT); 4 Form C (4PDT)
- Max. Switching Power
 2 Form C/3 Form C.....1750VA 210W
 4 Form C1250VA 150W
- Max. Switching Voltage.....250VAC 30VDC
- Max. Switching Current
 2 Form C/3 Form C7A ; 4 Form C5A
- Contact Resistance..... $\leq 100m\Omega$
- Rating Load
 2 Form C/3 Form C.....7A/250VAC 7A/30VDC
 4 Form C.....5A/250VAC 5A/30VDC
- Contact MaterialAg Alloy

CHARACTERISTICS

- Electrical Life..... 1×10^5
- Mechanical Life..... 1×10^7
- Initial Insulation Resistance.....Min. 100M Ω 500VDC
- Contact Resistance (Initial)..... $\leq 100m\Omega$
- Operate Time..... $\leq 25ms$
- Release Time..... $\leq 25ms$
- Initial Dielectric Strength
50/60Hz 500VAC 1 min. (between open contacts)
50/60Hz 1500VAC 1 min. (between contacts and coil)
50/60Hz 1500VAC 1 min. (between contact sets)
- Vibration Resistance
Malfunction: 10 to 55Hz at Double Amplitude of 1.5mm
Destructive: 10 to 55Hz at Double Amplitude of 1.5mm

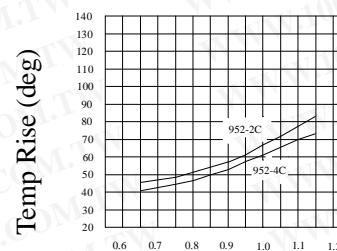
952 Referential Data

Timing



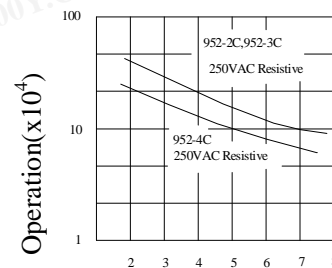
Coil Power (W)

Coil Temperature Rise



Coil Power (W)

Life Curves



Contact Current (A)

- Shock Resistance.....Malfunction: 10G (11ms) / Destructive: 100G (6ms)
- Ambient Temperature.....-25°C ~ +55°C
- Relative Humidity.....85% at 40°C
- Unit Weight.....Approx. 35g

勝特力材料 886-3-5753170
 勝特力电子(上海) 86-21-34970699
 勝特力电子(深圳) 86-755-83298787
[Http://www.100y.com.tw](http://www.100y.com.tw)

ORDERING INFORMATION

952 - 4C - 12 D P M L G - F
 1 2 3 4 5 6 7 8 9

Type of Insulation.....Nil = Class A ; F = Class F
 Contact Type.....Nil = General Type ; G = Contact with Gold Plating
 Optional.....Nil = General Type
L = With Lamp and Diode (DC Coil Type Only)
N = With Lamp ; B = With Push Button
T = With Lamp and Push Button
K = With Lamp and Diode and Push Button
 (DC Coil Type Only)
 Cover Type.....Nil = General Type ; M = Flange Top Type
S = Special Type ; E = Special Flange Top Type
 Terminal Type.....Nil = Socket Terminal ; P = P.C.B. Terminal
 Coil Type.....D: DC ; A: AC
 Coil Voltage.....DC: 6~100V ; AC: 12~270V
 Contact Arrangement.....2C = 2 Form C (DPDT) ; 3C = 3 Form C (3PDT)
4C = 4 Form C (4PDT)
 Model Number.....952

COIL RATINGS (at 20°C)

COIL TYPE	Coil Nominal Voltage (V)	Coil Resistance ($\Omega \pm 10\%$)	Pick-Up Voltage (V) \leq	Drop-Out Voltage (V) \geq	Nominal Current (mA)
DC Coils	6	40	4.5	0.6	150
	12	160	9	1.2	75
	24	650	18	2.4	37
	48	2600	36	4.8	19
	100	11000	75	10	9
AC Coils	12	46	9	3.6	
	24	180	18	7.2	
	110	3750	82.5	33	
	120	4430	90	36	
	220	12950	165	66	
	240	18790	180	72	
	270	24150	202.5	81	

*Max Continuous Voltage at 20°C: 110% of Coil Nominal Voltage.

OUTLINE DIMENSIONS

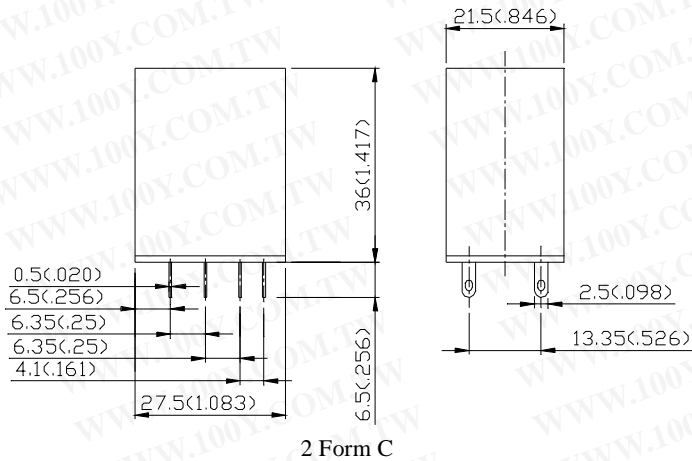
GENERAL TYPE

勝特力材料 886-3-5753170
 勝特力电子(上海) 86-21-34970699
 勝特力电子(深圳) 86-755-83298787
[Http://www.100y.com.tw](http://www.100y.com.tw)

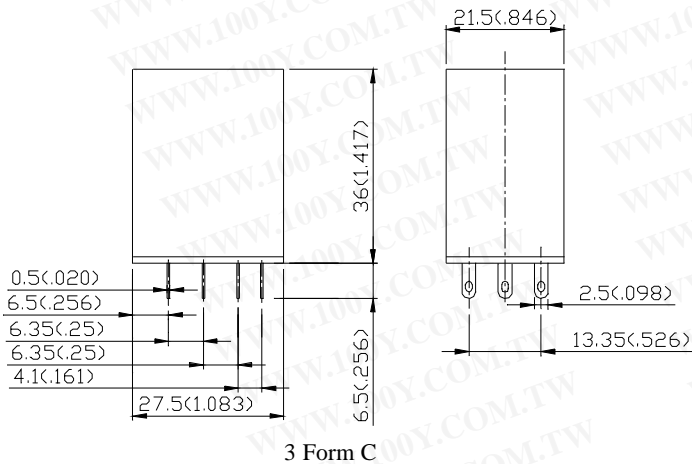
Dimensions

**Internal Connections
(Bottom View)**

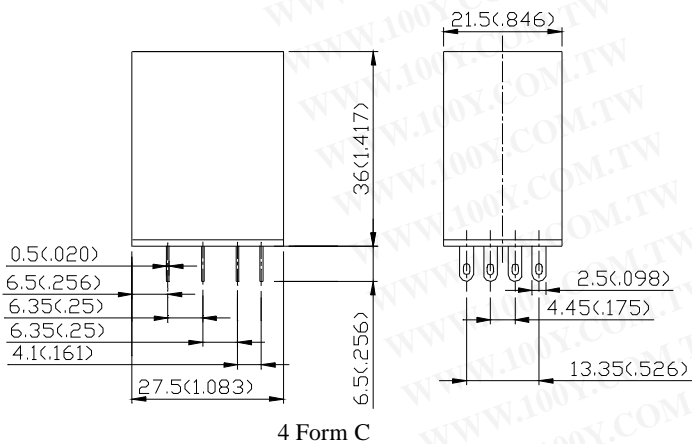
**Drilling Plan
(Bottom View)**



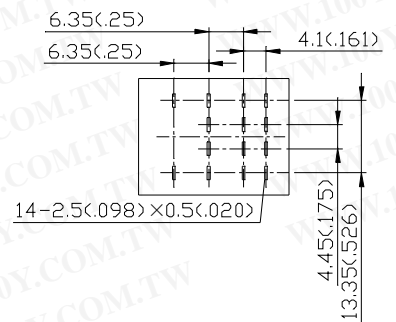
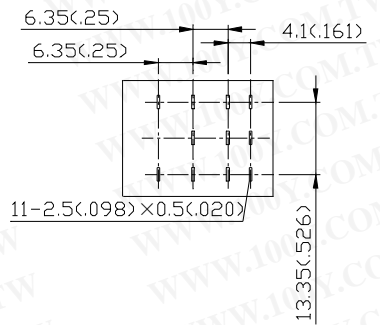
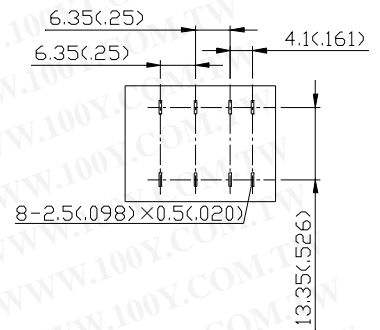
2 Form C



3 Form C



4 Form C



REMARK: 1. Tolerance of outline dimensions: $\pm 0.2(0.008)$.

2. The polarity of coil only applied for DL and DN type.

UNIT: mm (inch)

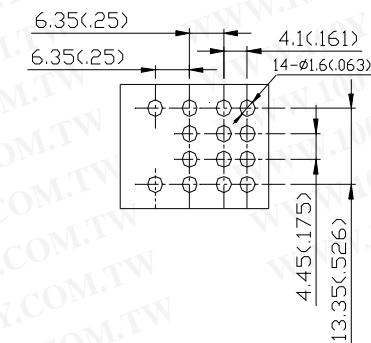
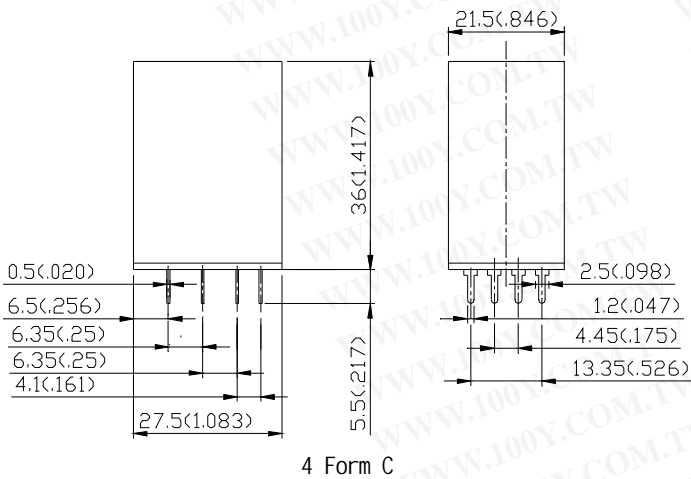
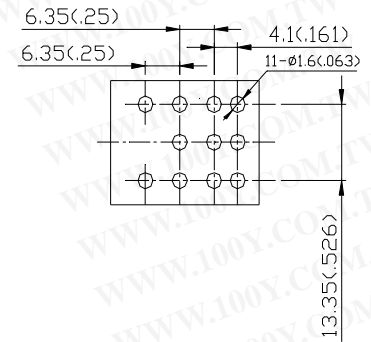
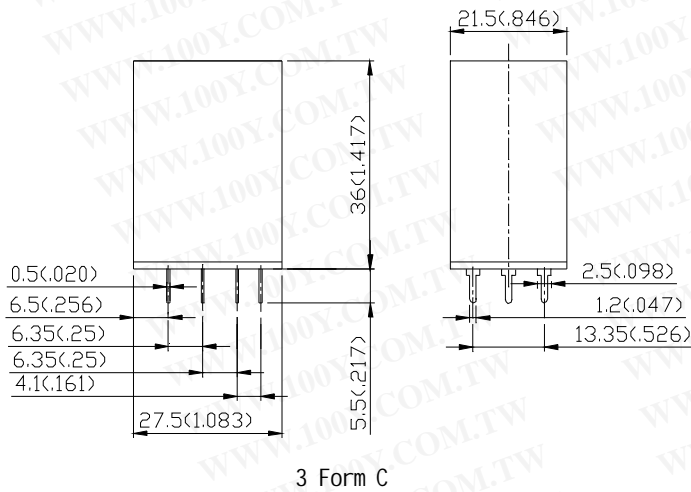
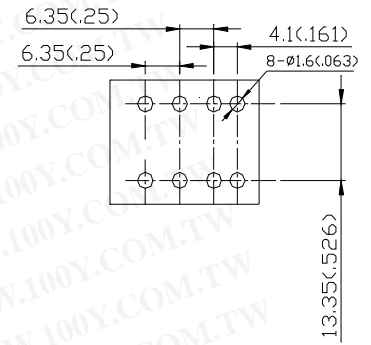
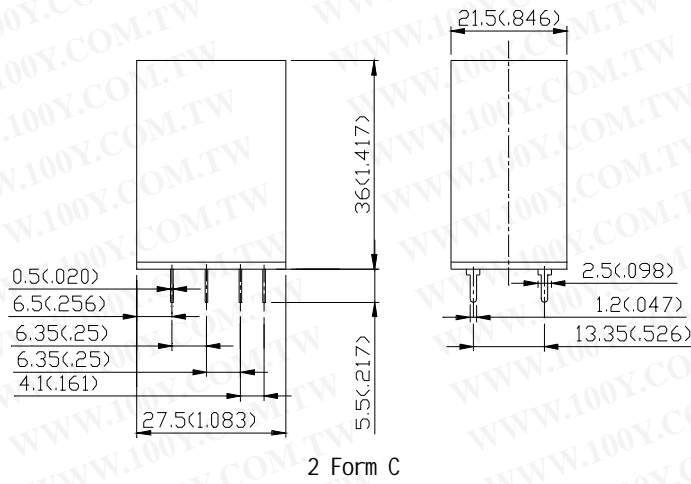
P.C.B TYPE

勝特力材料 886-3-5753170
 勝特力电子(上海) 86-21-34970699
 勝特力电子(深圳) 86-755-83298787
[Http://www.100y.com.tw](http://www.100y.com.tw)

Dimensions

**Internal Connections
(Bottom View)**

**Drilling Plan
(Bottom View)**



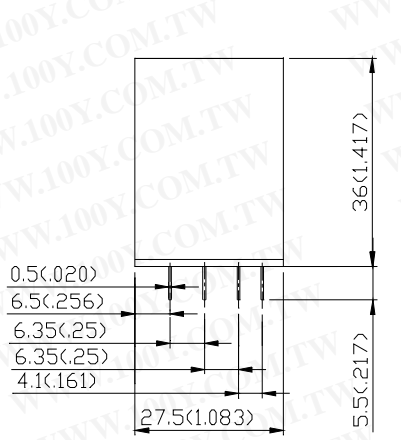
REMARK:1.Tolerance of outline dimensions: $\pm 0.2(.008)$.

2.The polarity of coil only applied for DPL and DPN type.

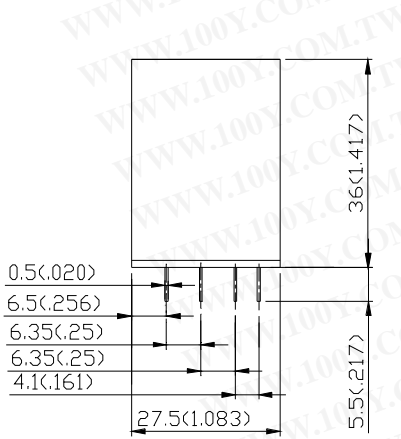
UNIT: mm (inch)

OUTLINE CONNECT TYPE

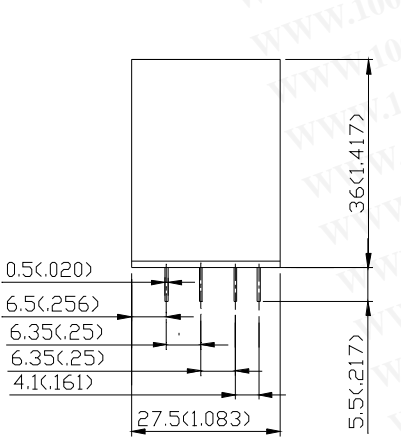
Dimensions



2 Form C

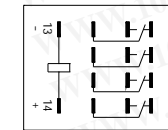
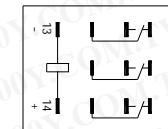
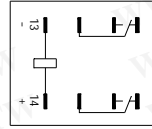


3 Form C

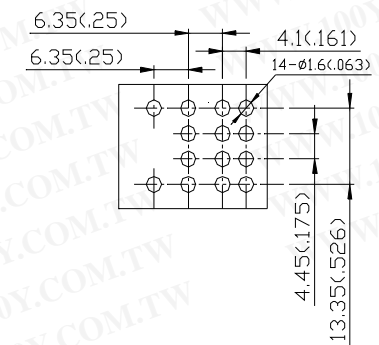
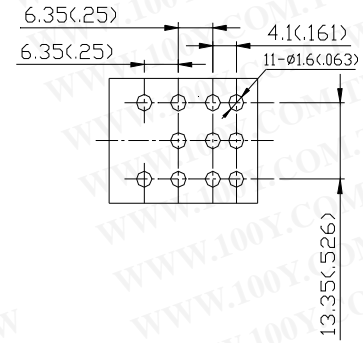
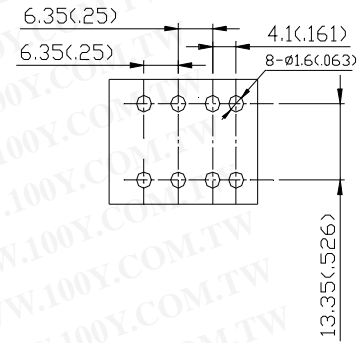


4 Form C

**Internal Connections
(Bottom View)**



**Drilling Plan
(Bottom View)**



REMARK:1.Tolerance of outline dimensions: $\pm 0.2(.008)$.

2.The polarity of coil only applied for DL and DN type.

UNIT: mm (inch)

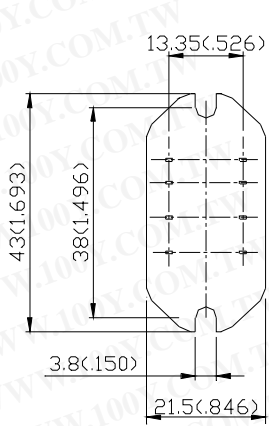
OUTLINE CONNECT P.C.B TYPE

勝特力材料 886-3-5753170
 勝特力电子(上海) 86-21-34970699
 勝特力电子(深圳) 86-755-83298787
[Http://www.100y.com.tw](http://www.100y.com.tw)

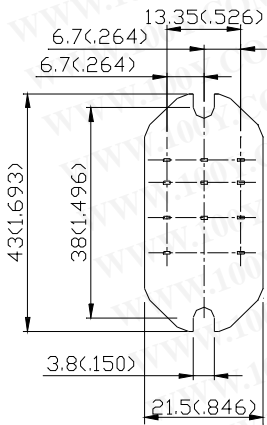
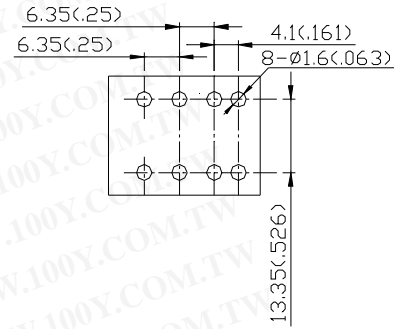
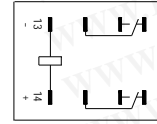
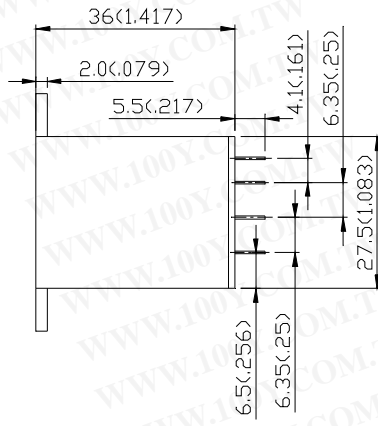
Dimensions

Internal Connections
(Bottom View)

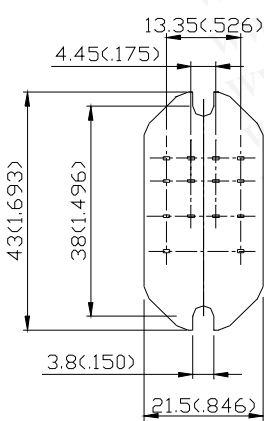
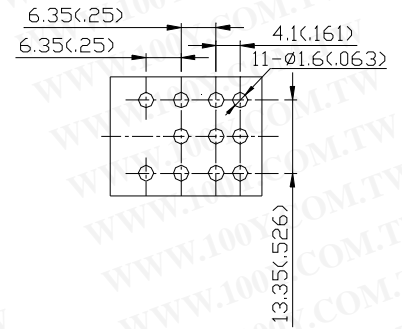
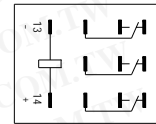
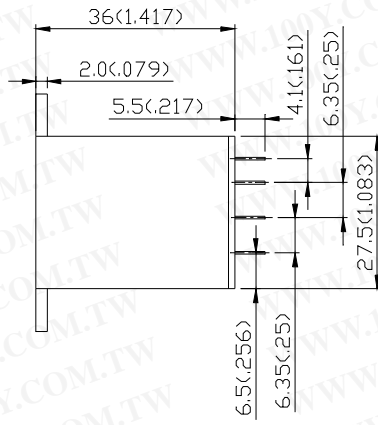
Drilling Plan
(Bottom View)



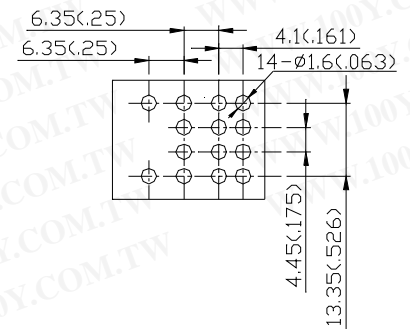
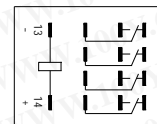
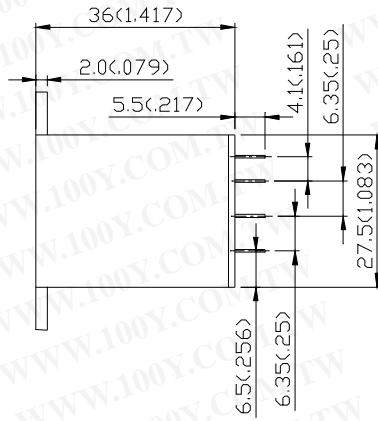
2 Form C



3 Form C



4 Form C



REMARK: 1.Tolerance of outline dimensions: $\pm 0.2(.008)$.

2.The polarity of coil is only applied for DPL and DPN type.

UNIT: mm (inch)

勝特力材料 886-3-5753170
 勝特力电子(上海) 86-21-34970699
 勝特力电子(深圳) 86-755-83298787
[Http://www.100y.com.tw](http://www.100y.com.tw)