



# ANLY CONTROLLER

## APR-4S 3-PHASE SEQUENCE PROTECTION RELAY



### CHARACTERISTIC :

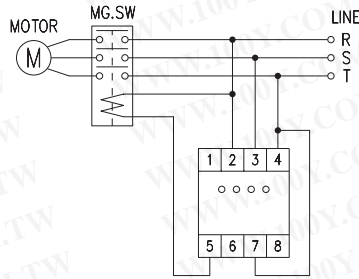
- 3-phase voltage and fault detector
- Can detect abnormal condition to prevent damages to the equipments
- Out-of-phase detection while the motor operating
- Install on DIN rail or fix with screw are available and no socket require

### SPECIFICATION :

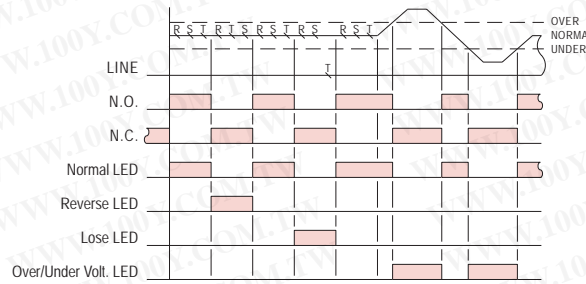
Operating voltage	AC(V): 220~440
Allowable operating voltage range	+15%, -20%
Rated frequency	50 / 60 Hz
Contact rating	250VAC 5A resistive load
Reset time	MAX 3sec
Power consumption	Approx. 2VA(AC 220V 60Hz)
Life	Mechanical: 5,000,000 times Electrical: 100,000 times
Ambient temperature	-10 ~ +50°C
Ambient humidity	MAX 85%RH
Weight	Approx. 106g

勝特力材料 886-3-5753170  
 勝特力电子(上海) 86-21-34970699  
 勝特力电子(深圳) 86-755-83298787  
[Http://www.100y.com.tw](http://www.100y.com.tw)

## CONNECTION :

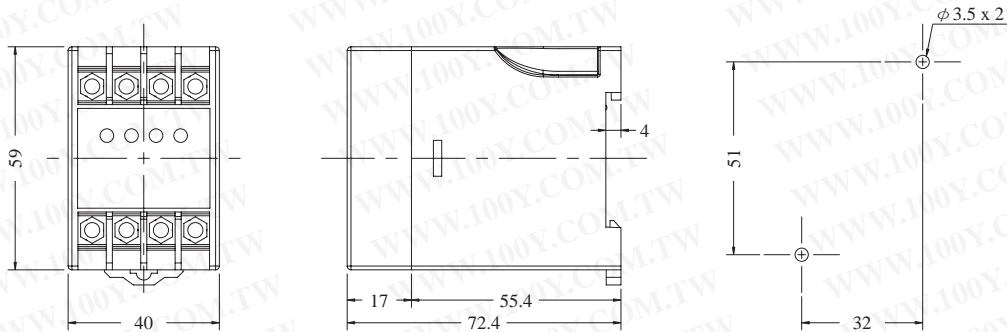


## TIMING CHART :



## DIMENSIONS : (mm)

N type(Surface Mounting):



勝特力材料 886-3-5753170  
 勝特力电子(上海) 86-21-34970699  
 勝特力电子(深圳) 86-755-83298787  
[Http://www.100y.com.tw](http://www.100y.com.tw)