



Solid State Relay  
OCMOS FET

# PS7431-1A

## 4-PIN SOP HIGH ISOLATION VOLTAGE 3 000 Vr.m.s 1-ch Optical Coupled MOS FET

### DESCRIPTION

The PS7431-1A is a solid state relay containing GaAs a LED on the light emitting side (input side) and normally open (N.O.) contact MOS FETs on the output side.

It is suitable for analog signal control because of its low offset and high linearity.

### FEATURES

- High isolation voltage (BV = 3 000 Vr.m.s)
- Small and thin package (4-pin SOP, Height = 2.1 mm)
- 1 channel type (1 a output)
- Low LED operating current (If = 2 mA)
- Designed for AC/DC switching line changer
- Low offset voltage
- Ordering number of taping product: PS7431-1A-E3, E4, F3, F4
- UL approved: File No. E72422
- BSI approved: No. 8767/8768
- CSA approved: No. CA 101391

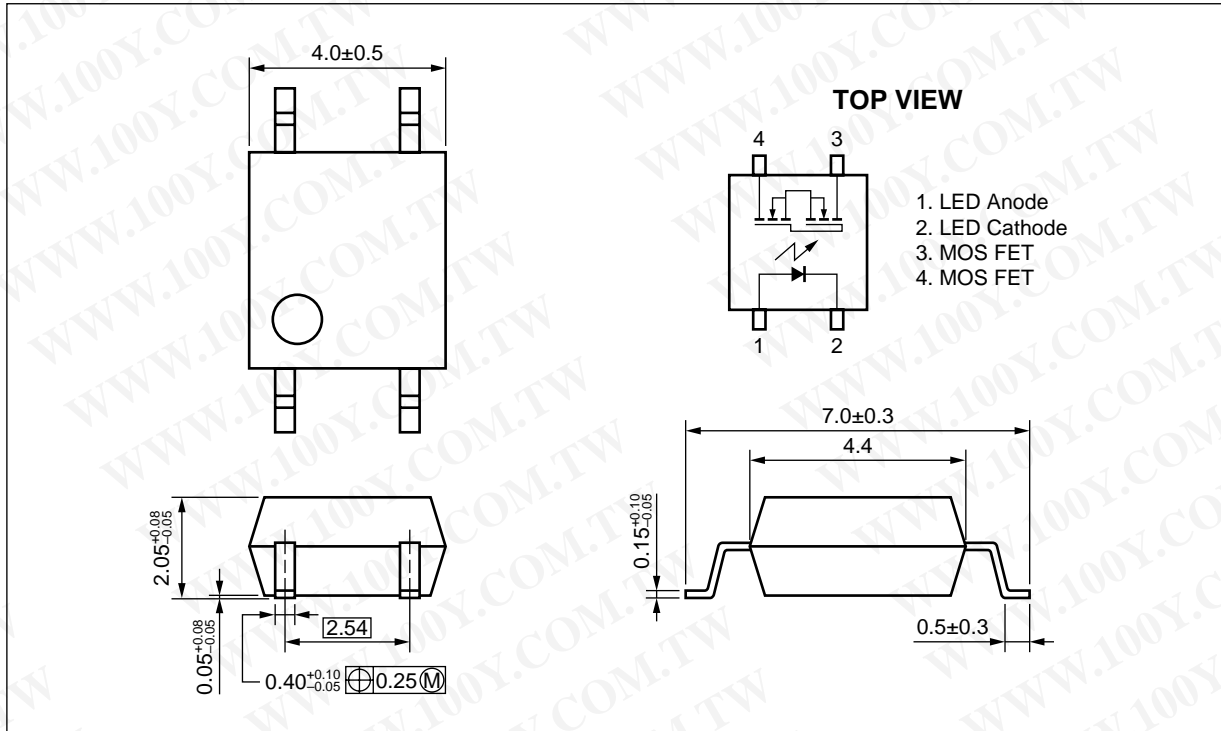
勝特力材料 886-3-5753170  
勝特力电子(上海) 86-21-34970699  
勝特力电子(深圳) 86-755-83298787  
[Http://www.100y.com.tw](http://www.100y.com.tw)

### APPLICATIONS

- Laptop PC, PDA
- Modem card
- Telephone, FAX
- Measurement equipment

The information in this document is subject to change without notice. Before using this document, please confirm that this is the latest version.

PACKAGE DIMENSIONS (UNIT: mm)



勝特力材料 886-3-5753170  
 勝特力电子(上海) 86-21-34970699  
 勝特力电子(深圳) 86-755-83298787  
[Http://www.100y.com.tw](http://www.100y.com.tw)

**ORDERING INFORMATION (Solder Contains Lead)**

Part Number	Package	Packing Style	Application Part Number <sup>*1</sup>
PS7431-1A	4-pin SOP	Magazine case 100 pcs	PS7431-1A
PS7431-1A-E3		Embossed Tape 900 pcs/reel	
PS7431-1A-E4			
PS7431-1A-F3		Embossed Tape 3 500 pcs/reel	
PS7431-1A-F4			

\*1 For the application of the Safety Standard, following part number should be used.

**ORDERING INFORMATION (Pb-Free)**

Part Number	Package	Packing Style	Application Part Number <sup>*1</sup>
PS7431-1A-A	4-pin SOP	Magazine case 100 pcs	PS7431-1A
PS7431-1A-E3-A		Embossed Tape 900 pcs/reel	
PS7431-1A-E4-A			
PS7431-1A-F3-A		Embossed Tape 3 500 pcs/reel	
PS7431-1A-F4-A			

\*1 For the application of the Safety Standard, following part number should be used.

**ABSOLUTE MAXIMUM RATINGS (T<sub>A</sub> = 25°C, unless otherwise specified)**

	Parameter	Symbol	Ratings	Unit
Diode	Forward Current (DC)	I <sub>F</sub>	50	mA
	Reverse Voltage	V <sub>R</sub>	5.0	V
	Power Dissipation	P <sub>D</sub>	50	mW
	Peak Forward Current <sup>*1</sup>	I <sub>FP</sub>	1	A
MOS FET	Break Down Voltage	V <sub>L</sub>	350	V
	Continuous Load Current	I <sub>L</sub>	120	mA
	Pulse Load Current <sup>*2</sup> (AC/DC Connection)	I <sub>LP</sub>	240	mA
	Power Dissipation	P <sub>D</sub>	310	mW
Isolation Voltage <sup>*3</sup>		BV	3 000	Vr.m.s.
Total Power Dissipation		P <sub>T</sub>	360	mW
Operating Ambient Temperature		T <sub>A</sub>	-40 to +85	°C
Storage Temperature		T <sub>stg</sub>	-40 to +100	°C

\*1 PW = 100 μs, Duty Cycle = 1%

\*2 PW = 100 ms, 1 shot

\*3 AC voltage for 1 minute at T<sub>A</sub> = 25°C, RH = 60% between input and output

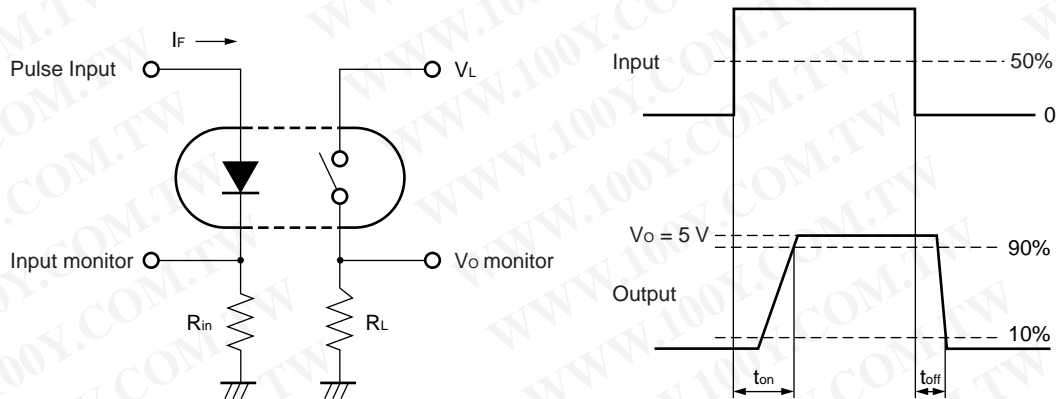
**RECOMMENDED OPERATING CONDITIONS (TA = 25°C)**

Parameter	Symbol	MIN.	TYP.	MAX.	Unit
LED Operating Current	IF	2	10	20	mA
LED Off Voltage	VF	0		0.5	V

**ELECTRICAL CHARACTERISTICS (TA = 25°C)**

Parameter		Symbol	Conditions	MIN.	TYP.	MAX.	Unit
Diode	Forward Voltage	VF	IF = 10 mA		1.2	1.4	V
	Reverse Current	IR	VR = 5 V			5.0	μA
MOS FET	Off-state Leakage Current	Iloff	VD = 350 V		0.03	1.0	μA
	Output Capacitance	Cout	VD = 0 V, f = 1 MHz		35		pF
Coupled	LED On-state Current	IFon	IL = 120 mA			2.0	mA
	On-state Resistance	Ron1	IF = 10 mA, IL = 10 mA		26	33	Ω
		Ron2	IF = 10 mA, IL = 120 mA, t ≤ 10 ms		20	26	
	Turn-on Time*1	ton	IF = 10 mA, Vo = 5 V, RL = 500 Ω,		0.3	2.0	ms
	Turn-off Time*1	toff	PW ≥ 10 ms		0.07	0.2	
	Isolation Resistance	RI-o	VI-o = 1.0 kVdc		10 <sup>9</sup>		Ω
Isolation Capacitance	CI-o	V = 0 V, f = 1 MHz			0.5	pF	

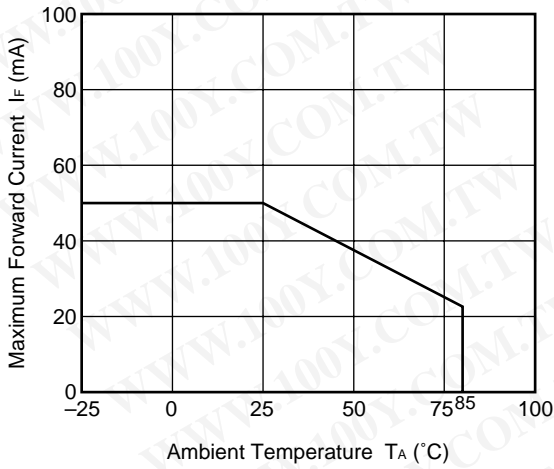
\*1 Test Circuit for Switching Time



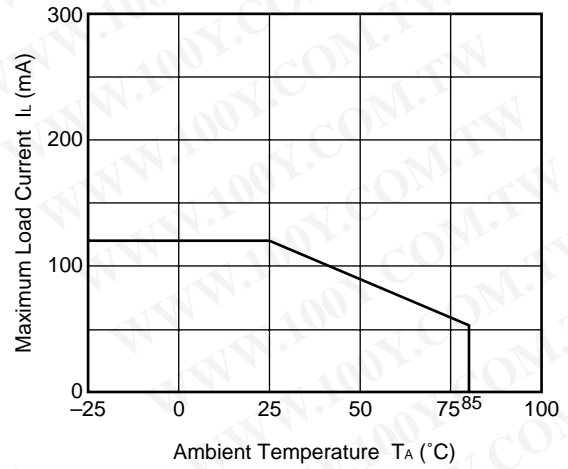
勝特力材料 886-3-5753170  
 勝特力电子(上海) 86-21-34970699  
 勝特力电子(深圳) 86-755-83298787  
[Http://www.100y.com.tw](http://www.100y.com.tw)

**TYPICAL CHARACTERISTICS (TA = 25°C, unless otherwise specified)**

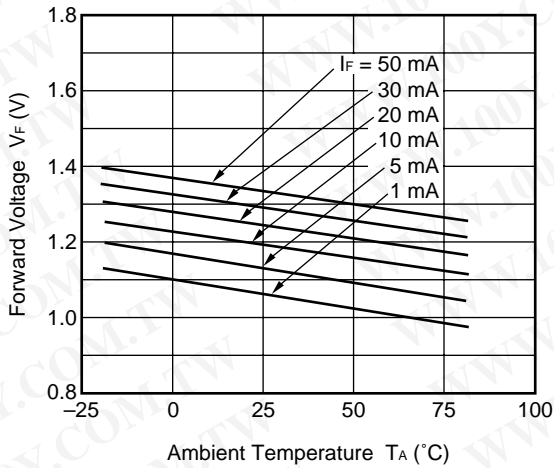
**MAXIMUM FORWARD CURRENT vs. AMBIENT TEMPERATURE**



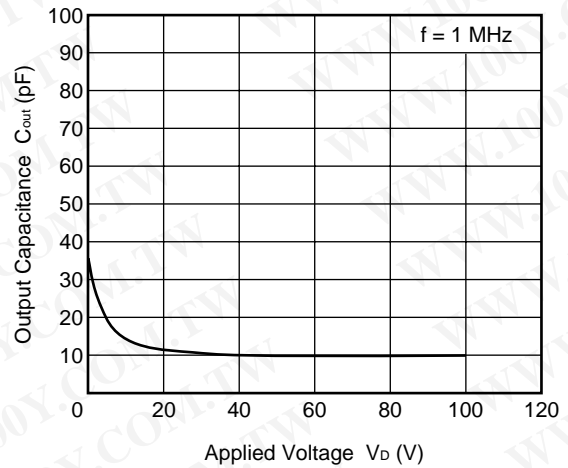
**MAXIMUM LOAD CURRENT vs. AMBIENT TEMPERATURE**



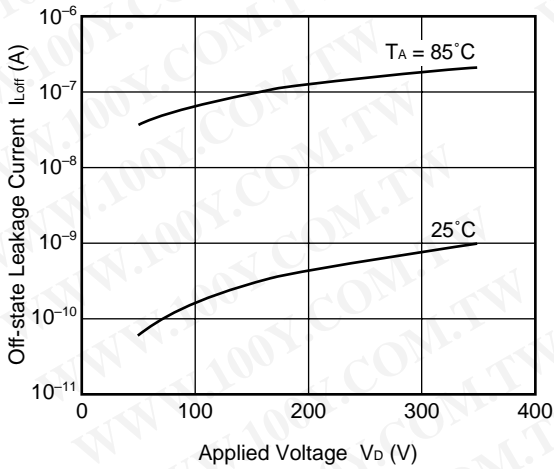
**FORWARD VOLTAGE vs. AMBIENT TEMPERATURE**



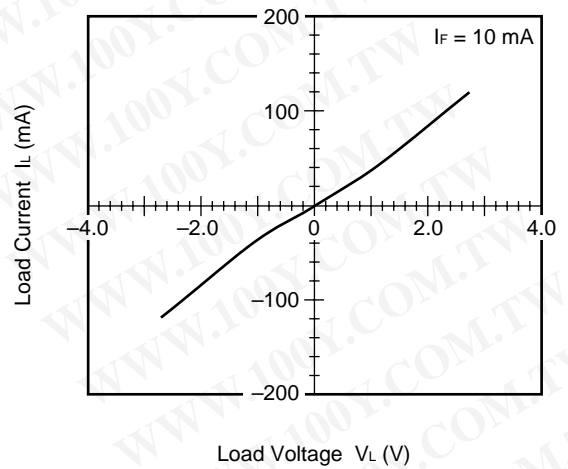
**OUTPUT CAPACITANCE vs. APPLIED VOLTAGE**



**OFF-STATE LEAKAGE CURRENT vs. APPLIED VOLTAGE**

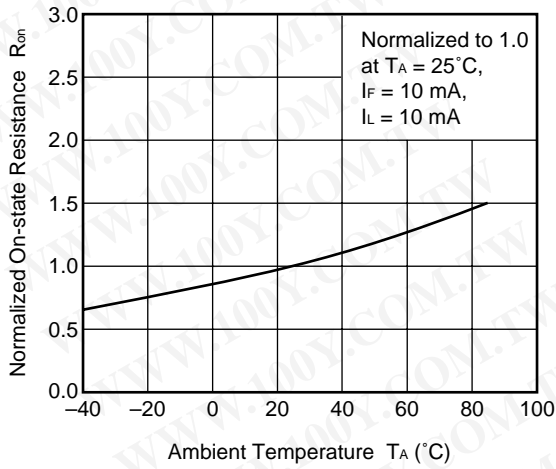


**LOAD CURRENT vs. LOAD VOLTAGE**

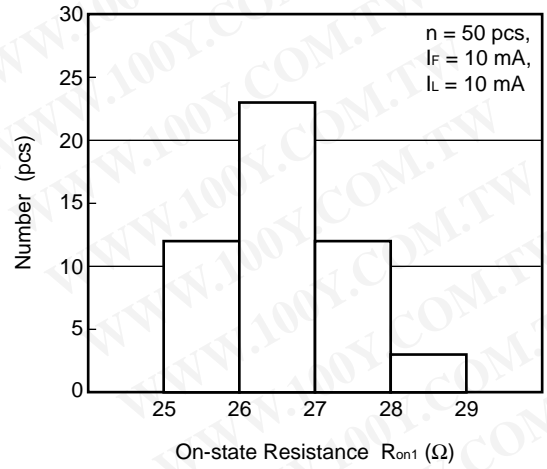


**Remark** The graphs indicate nominal characteristics.

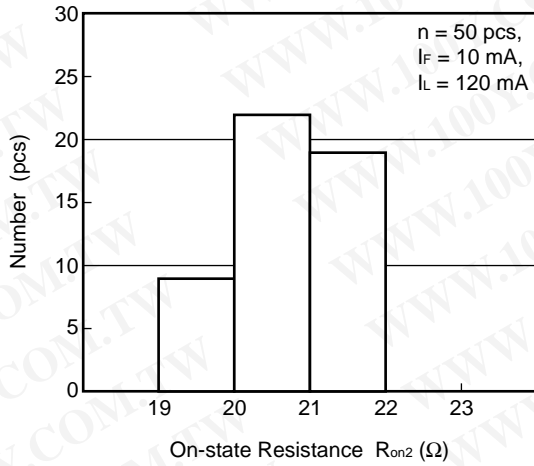
NORMALIZED ON-STATE RESISTANCE vs. AMBIENT TEMPERATURE



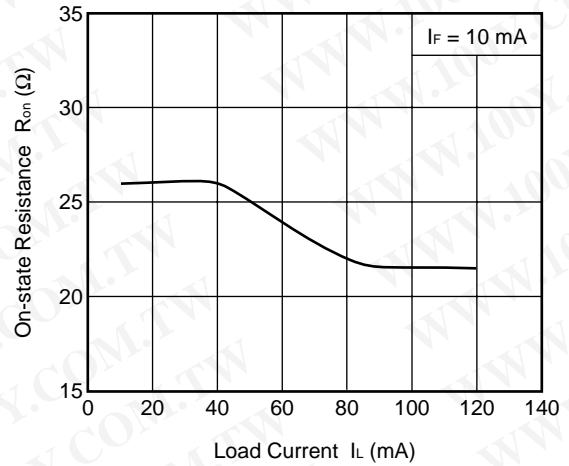
ON-STATE RESISTANCE DISTRIBUTION



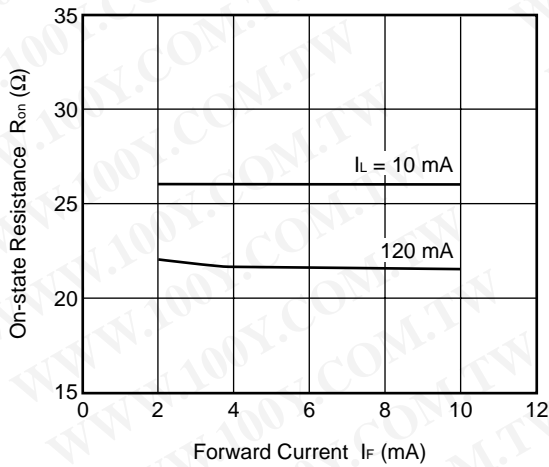
ON-STATE RESISTANCE DISTRIBUTION



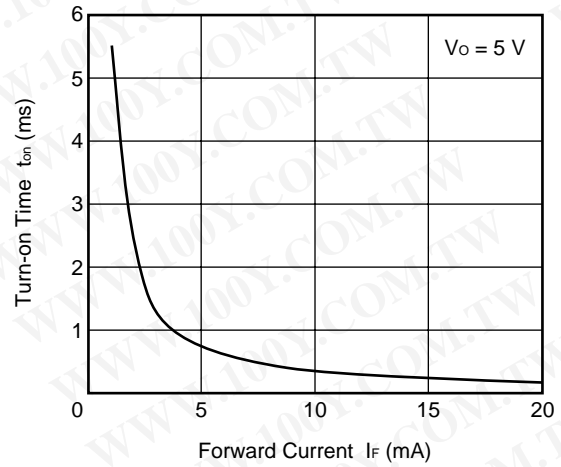
ON-STATE RESISTANCE vs. LOAD CURRENT



ON-STATE RESISTANCE vs. LOAD CURRENT



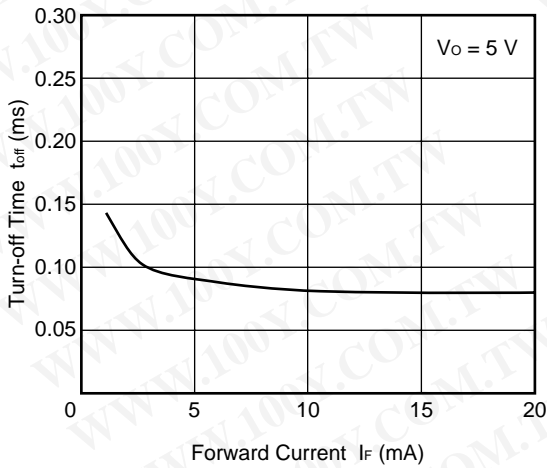
TURN-ON TIME vs. FORWARD CURRENT



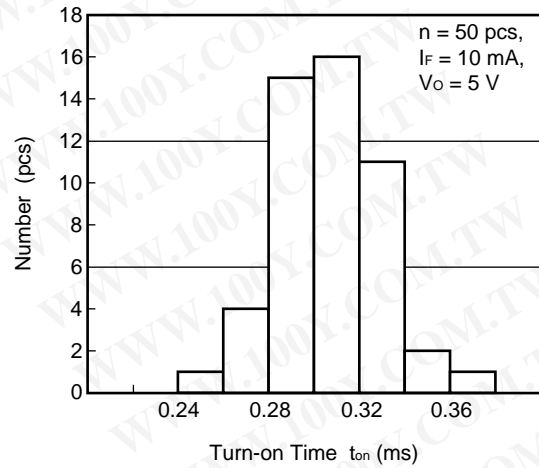
**Remark** The graphs indicate nominal characteristics.

勝特力材料 886-3-5753170  
 勝特力电子(上海) 86-21-34970699  
 勝特力电子(深圳) 86-755-83298787  
[Http://www.100y.com.tw](http://www.100y.com.tw)

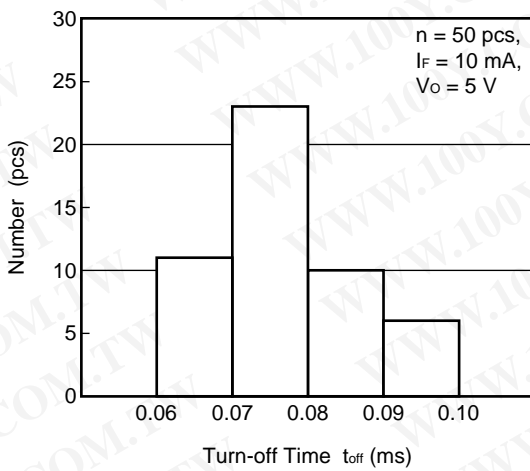
TURN-OFF TIME vs. FORWARD CURRENT



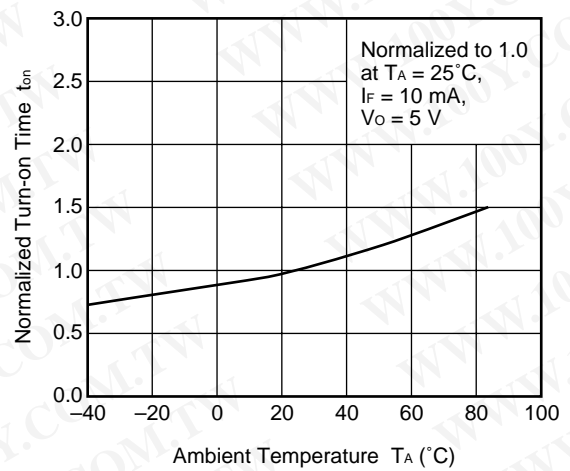
TURN-ON TIME DISTRIBUTION



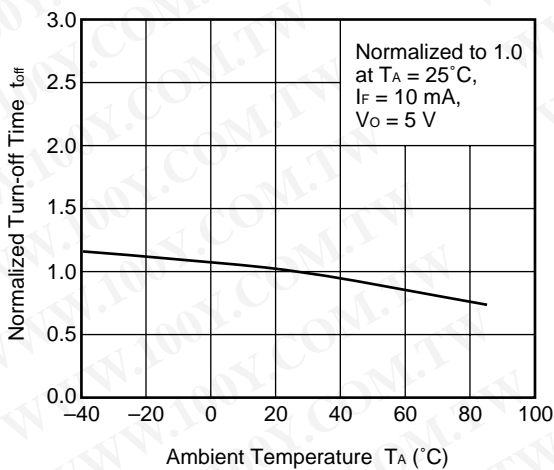
TURN-OFF TIME DISTRIBUTION



NORMALIZED TURN-ON TIME vs. AMBIENT TEMPERATURE



NORMALIZED TURN-OFF TIME vs. AMBIENT TEMPERATURE



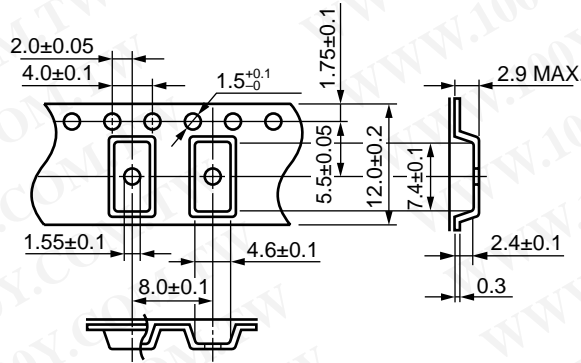
勝特力材料 886-3-5753170  
 勝特力电子(上海) 86-21-34970699  
 勝特力电子(深圳) 86-755-83298787  
[Http://www.100y.com.tw](http://www.100y.com.tw)

**Remark** The graphs indicate nominal characteristics.

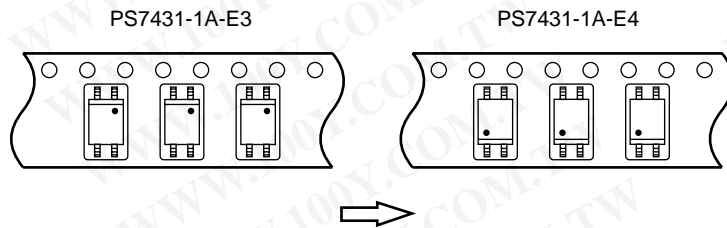
TAPING SPECIFICATIONS (in millimeters)

勝特力材料 886-3-5753170  
 勝特力电子(上海) 86-21-34970699  
 勝特力电子(深圳) 86-755-83298787  
[Http://www.100y.com.tw](http://www.100y.com.tw)

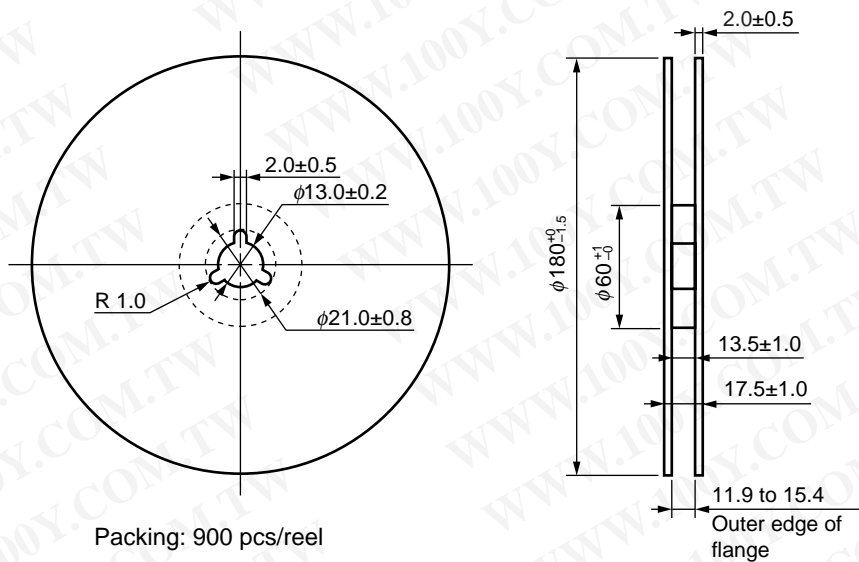
Outline and Dimensions (Tape)



Tape Direction



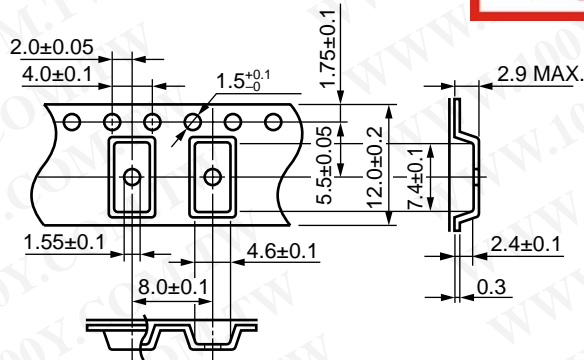
Outline and Dimensions (Reel)



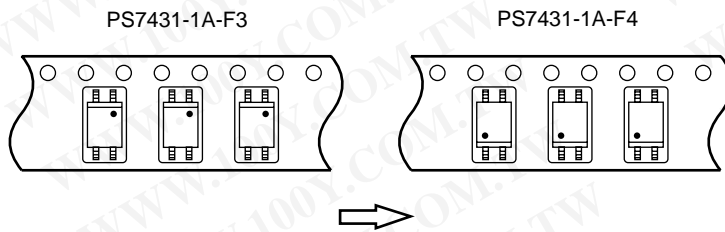


勝特力材料 886-3-5753170  
 勝特力电子(上海) 86-21-34970699  
 勝特力电子(深圳) 86-755-83298787  
[Http://www.100y.com.tw](http://www.100y.com.tw)

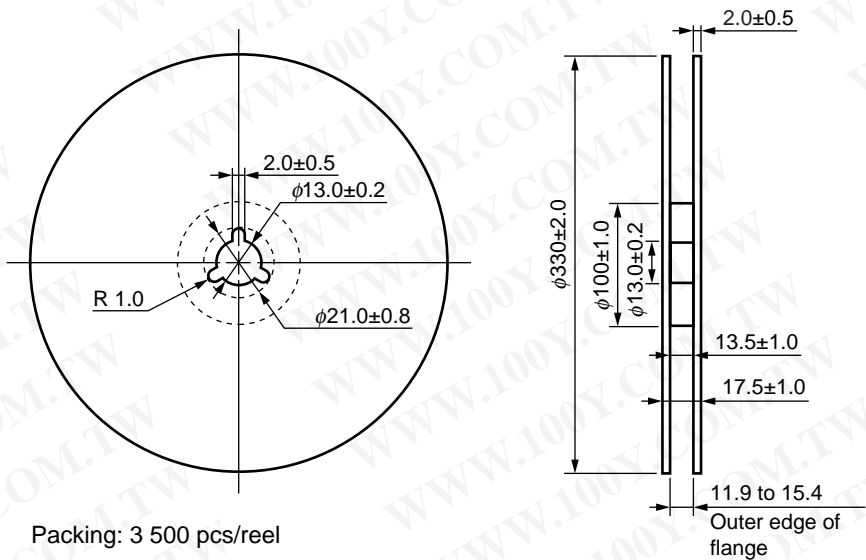
Outline and Dimensions (Tape)



Tape Direction



Outline and Dimensions (Reel)



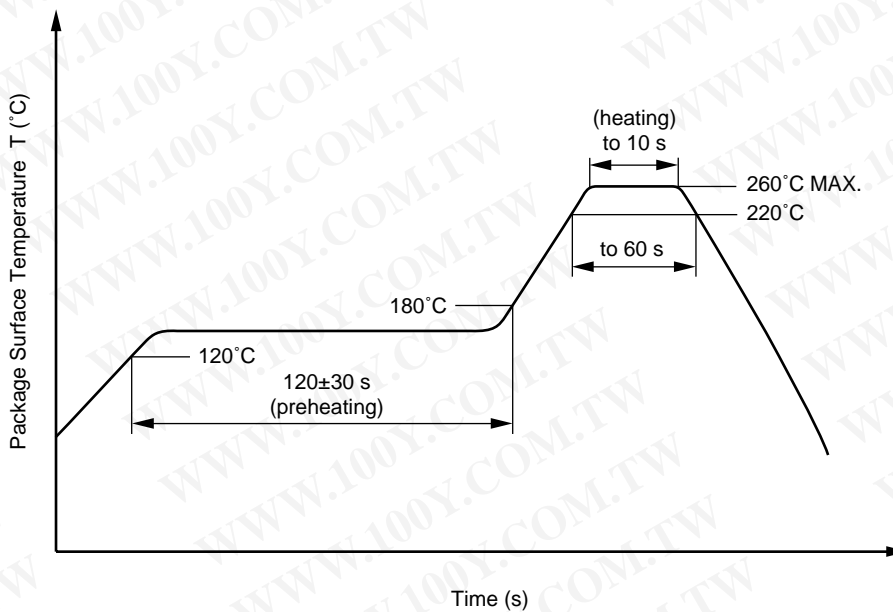
Packing: 3 500 pcs/reel

**RECOMMENDED SOLDERING CONDITIONS**

**(1) Infrared reflow soldering**

- Peak reflow temperature 260°C or below (package surface temperature)
- Time of peak reflow temperature 10 seconds or less
- Time of temperature higher than 220°C 60 seconds or less
- Time to preheat temperature from 120 to 180°C 120±30 s
- Number of reflows Three
- Flux Rosin flux containing small amount of chlorine (The flux with a maximum chlorine content of 0.2 Wt% is recommended.)

Recommended Temperature Profile of Infrared Reflow



**(2) Wave soldering**

- Temperature 260°C or below (molten solder temperature)
- Time 10 seconds or less
- Preheating conditions 120°C or below (package surface temperature)
- Number of times One
- Flux Rosin flux containing small amount of chlorine (The flux with a maximum chlorine content of 0.2 Wt% is recommended.)

**(3) Cautions**

- Fluxes  
Avoid removing the residual flux with freon-based and chlorine-based cleaning solvent.

勝特力材料 886-3-5753170  
 勝特力电子(上海) 86-21-34970699  
 勝特力电子(深圳) 86-755-83298787  
[Http://www.100y.com.tw](http://www.100y.com.tw)

勝特力材料 886-3-5753170  
 勝特力电子(上海) 86-21-34970699  
 勝特力电子(深圳) 86-755-83298787  
[Http://www.100y.com.tw](http://www.100y.com.tw)

Subject: Compliance with EU Directives

CEL certifies, to its knowledge, that semiconductor and laser products detailed below are compliant with the requirements of European Union (EU) Directive 2002/95/EC Restriction on Use of Hazardous Substances in electrical and electronic equipment (RoHS) and the requirements of EU Directive 2003/11/EC Restriction on Penta and Octa BDE.

CEL Pb-free products have the same base part number with a suffix added. The suffix –A indicates that the device is Pb-free. The –AZ suffix is used to designate devices containing Pb which are exempted from the requirement of RoHS directive (\*). In all cases the devices have Pb-free terminals. All devices with these suffixes meet the requirements of the RoHS directive.

This status is based on CEL’s understanding of the EU Directives and knowledge of the materials that go into its products as of the date of disclosure of this information.

Restricted Substance per RoHS	Concentration Limit per RoHS (values are not yet fixed)	Concentration contained in CEL devices	
		-A	-AZ
Lead (Pb)	< 1000 PPM	Not Detected	(*)
Mercury	< 1000 PPM	Not Detected	
Cadmium	< 100 PPM	Not Detected	
Hexavalent Chromium	< 1000 PPM	Not Detected	
PBB	< 1000 PPM	Not Detected	
PBDE	< 1000 PPM	Not Detected	

If you should have any additional questions regarding our devices and compliance to environmental standards, please do not hesitate to contact your local representative.

**Important Information and Disclaimer:** Information provided by CEL on its website or in other communications concerning the substance content of its products represents knowledge and belief as of the date that it is provided. CEL bases its knowledge and belief on information provided by third parties and makes no representation or warranty as to the accuracy of such information. Efforts are underway to better integrate information from third parties. CEL has taken and continues to take reasonable steps to provide representative and accurate information but may not have conducted destructive testing or chemical analysis on incoming materials and chemicals. CEL and CEL suppliers consider certain information to be proprietary, and thus CAS numbers and other limited information may not be available for release.

In no event shall CEL’s liability arising out of such information exceed the total purchase price of the CEL part(s) at issue sold by CEL to customer on an annual basis.

See CEL Terms and Conditions for additional clarification of warranties and liability.