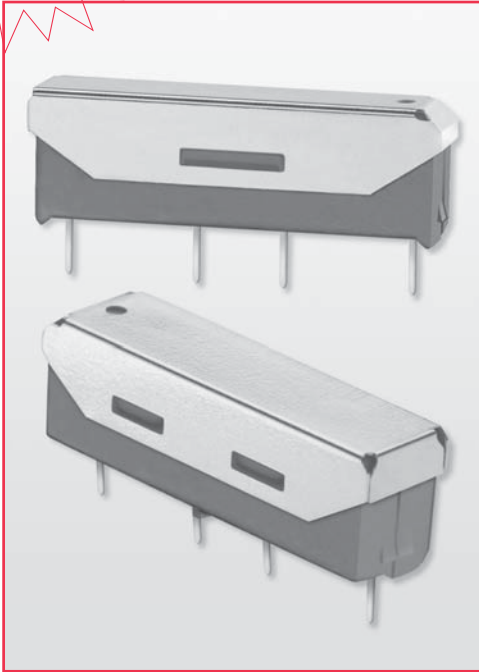


9104 Series / Hi Voltage SIP Reed Relays

NEW!



Hi Voltage SIP Reed Relays

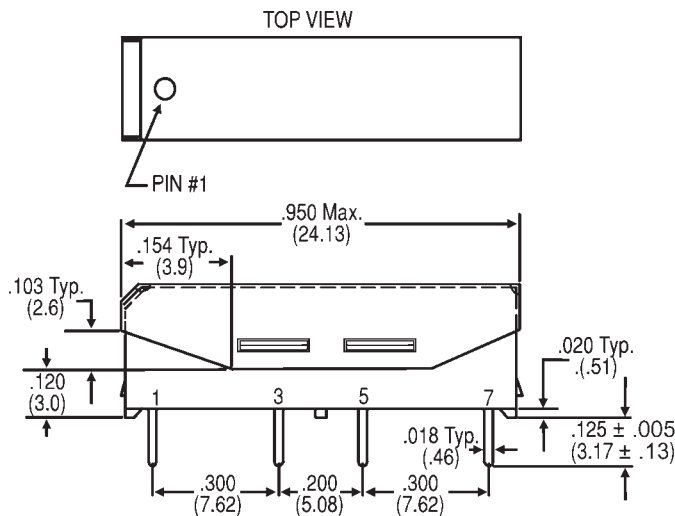
Molded SIP relays are the industry standard when high reliability and consistent performance are desired in a compact package. The 9104 Series adds high voltage switching capability and high voltage standoff capability to a SIP relay package. These high voltage, high performance relays are ideally suited for Automatic Test Equipment, Instrumentation, and Process Control applications where voltage isolation is a key design requirement.

Series Features

- ◆ High voltage switching up to 1000 V
- ◆ High dielectric strength (2000 V DC)
- ◆ High Insulation Resistance – $10^{11} \Omega$ minimum
- ◆ High reliability, hermetically sealed contacts for long life
- ◆ High speed switching compared to electromechanical relays
- ◆ Molded thermoset body on integral lead frame design
- ◆ Optional Coil Suppression Diode – protects coil drive circuits
- ◆ Magnetic Shield – reduces interaction
- ◆ UL File # E67117

Model 9104

Dimensions in Inches (Millimeters)



勝特力材料 886-3-5753170
 勝特力电子(上海) 86-21-34970699
 勝特力电子(深圳) 86-755-83298787
[Http://www.100y.com.tw](http://www.100y.com.tw)

Ordering Information

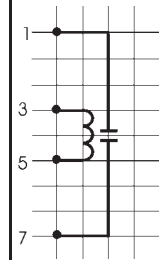
Part Number	9XXX-XX-1X	General Options
Model Number	9104	0 = No Diode 1 = Diode ²
Coil Voltage	05 = 5 volts 12 = 12 volts	
Magnetic Shield	1 = External Magnetic Shield	

9104 Series / Hi Voltage SIP Reed Relays



Model Number	9104 ²		
Parameters	Test Conditions	Units	4 Pin SIP
COIL SPECS.			
Nom. Coil Voltage		VDC	5 12
Max. Coil Voltage		VDC	6.5 15.0
Coil Resistance	+/- 10%, 25° C	Ω	175 500
Operate Voltage	Must Operate by	VDC - Max.	3.75 9.0
Release Voltage	Must Release by	VDC - Min.	0.5 1.0
CONTACT RATINGS			
Switching Voltage ⁴	Max DC/Peak AC Resist.	Volts	1000
Switching Current	Max DC/Peak AC Resist.	Amps	0.5
Carry Current	Max DC/Peak AC Resist.	Amps	1.3
Contact Rating	Max DC/Peak AC Resist.	Watts	10
Life Expectancy-Typical ¹	Signal Level 1.0V, 10.0mA	x 10 ⁶ Ops.	300
Static Contact Resistance (max. init.)	50mV, 10mA	Ω	0.150
Dynamic Contact Resistance (max. init.)	0.5V, 50mA at 100 Hz, 1.5 msec	Ω	0.200
RELAY SPECIFICATIONS			
Insulation Resistance (minimum)	Between all Isolated Pins at 100V, 25°C, 40% RH	Ω	10 ¹¹
Capacitance - Typical Across Open Contacts	No Shield	pF	1.0
Open Contact to Coil	No Shield	pF	-
Dielectric Strength (minimum)	Between Contacts	VDC/peak AC	2000
	Contacts to Shield	VDC/peak AC	3000
	Contacts/Shield to Coil	VDC/peak AC	3000
Operate Time - including bounce - Typical	At Nominal Coil Voltage, 30 Hz Square Wave	msec.	0.75
Release Time - Typical	Zener-Diode Suppression ³	msec.	0.5

勝特力材料 886-3-5753170
勝特力电子(上海) 86-21-34970699
勝特力电子(深圳) 86-755-83298787
[Http://www.100y.com.tw](http://www.100y.com.tw)



Top View:
 Dot stamped on relay refers to pin #1
 Grid = .1"x.1"
 (2.54mm x 2.54mm)

Notes:

- ¹Consult factory for life expectancy at other switching loads.
- ²Optional diode is connected to pin #3 (+) and pin #5(-). Correct coil polarity must be observed.
- ³Consists of 56V Zener diode and 1N4148 diode in series, connected in parallel with coil.
- ⁴Switch current limited to 1.0mA @ 1000V.

Environmental Ratings:

Storage Temp: -35°C to +100°C; Operating Temp: -20°C to +85°C
 Solder Temp: 270°C max; 10 sec. max
 The operate and release voltage and the coil resistance are specified at 25°C. These values vary by approximately 0.4%/°C as the ambient temperature varies.
 Vibration: 20 G's to 2000 Hz; Shock: 50 G's