



**Rely on ECE's Relays,
and You Always Relax!**

MINI SIP TYPE REED RELAY EDR4 /EDR8 SERIES



EDR4



EDR8

FEATURES

- Mini SIP is a single-in-line Reed Relay using only 12.1x 4.3mm or 14.9 x 3.81mm of board space which is half the standard SIP requirement pitch.
- Epoxy molded single in line structure.
- Higher mounting density than DIP type.
- Magnetic shield cover is available (Apply to EDR8)
- Completely washable.

勝特力材料 886-3-5753170
 勝特力电子(上海) 86-21-34970699
 勝特力电子(深圳) 86-755-83298787
[Http://www.100y.com.tw](http://www.100y.com.tw)

SPECIFICATIONS (at 20 °C)

1. COIL RATING

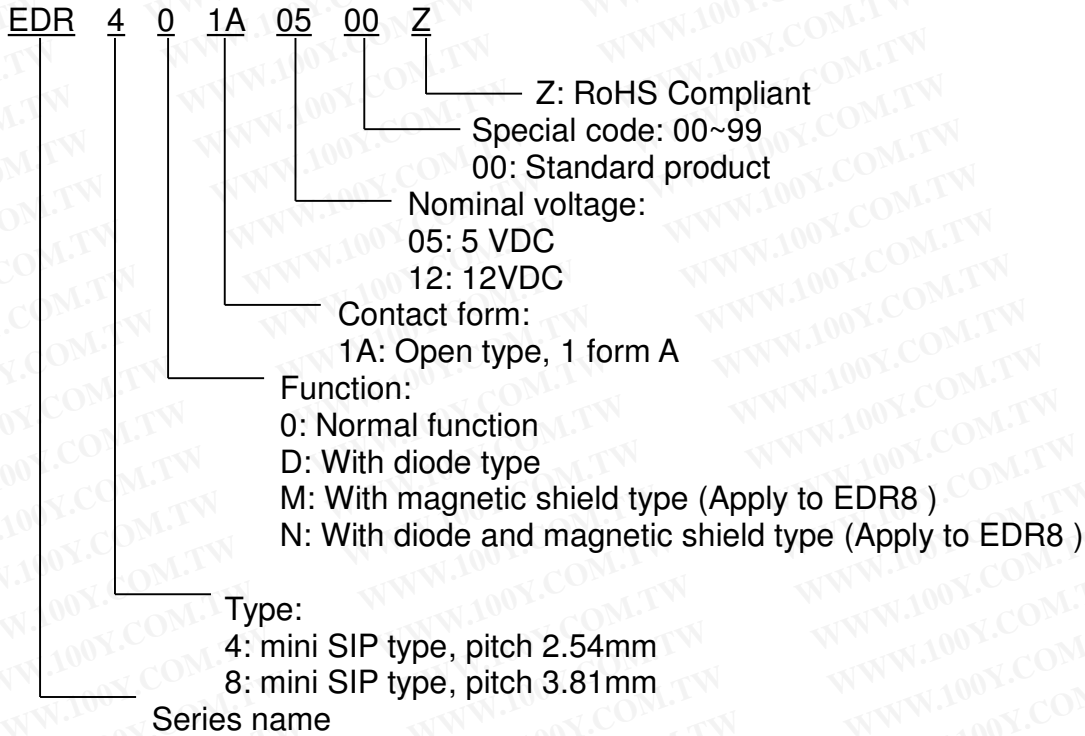
Type	Contact form	Nominal Voltage(VDC)	Max. Operate Voltage(VDC)	Pull-in Voltage(VDC)	Dropout Voltage(VDC)	※Coil Resistance(Ω)	Nominal input power(mW)
EDR4	1A	5	6.5	4.0	0.8	250±10%	100
		12	15.0	9.0	1.0	750±10%	192
EDR8	1A	5	6.5	4.0	0.8	500±10%	50
		12	15.0	9.0	1.0	1000±10%	144

※Special design is available on request.

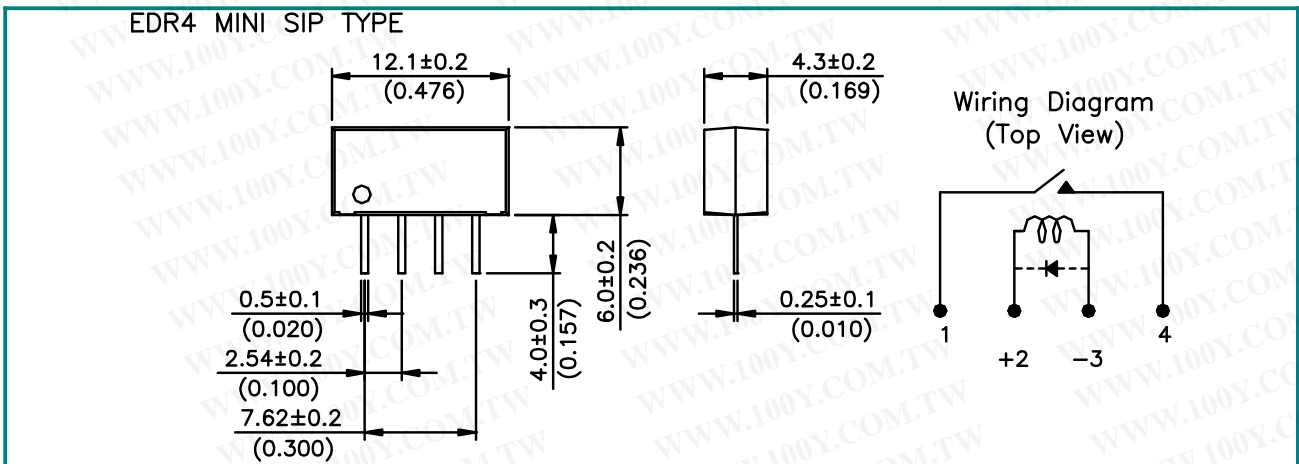
2. CONTACT RATING

Contact form	1A	
Switching current	0.5 ADC Max.	
Carry current	1.0 ADC Max.	
Switching power	10 VA Max.	
Electrical life (typ.) (Resistive load)	1×10 ⁹ (Ref 1VDC, 10mA)	
Contact resistance	200mΩ Max.	
Operate time	1.0ms (including bounce time)	
Release time	0.5ms Max.	
Maximum voltage	100 VDC Max.	
Insulation resistance	10 ⁹ Ω Min.	
Dielectric strength	Coil to contact	1500 VDC
	Across contacts	200 VDC
Temperature range	Operating temperature	-40°C to +85°C
	Storage temperature	-40°C to +125°C
Shock resistance	30G Min.	

■ PART NUMBER SYSTEM



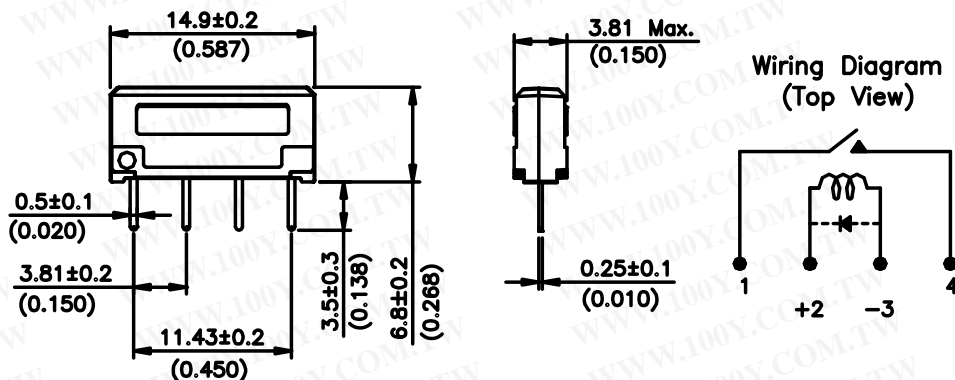
■ DIMENSIONS UNIT:mm(inch)



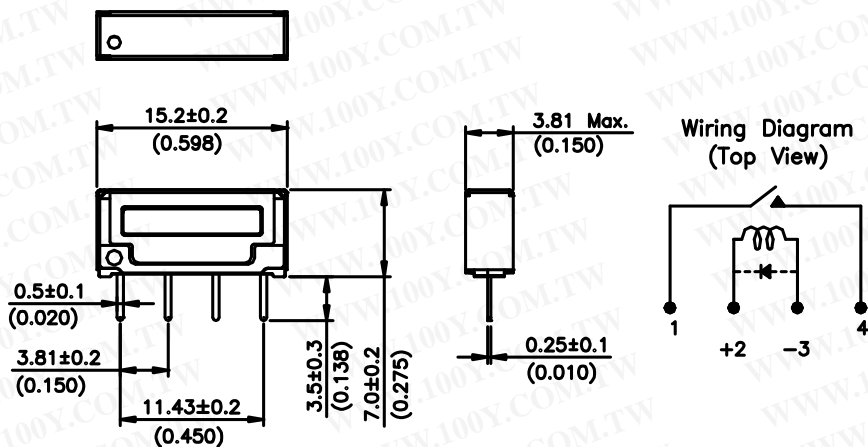


EDR8 MINI SIP TYPE

EDR80(D)1AXXXZ



EDR8M(N)1AXXXZ



勝特力材料 886-3-5753170
 勝特力电子(上海) 86-21-34970699
 勝特力电子(深圳) 86-755-83298787
[Http://www.100y.com.tw](http://www.100y.com.tw)